



US00D382320S

United States Patent [19]

[11] Patent Number: Des. 382,320

Sand

[45] Date of Patent: **Aug. 12, 1997

[54] **BOOT-TO-BINDING INTERFACE FOR A STEP IN SNOWBOARD BINDING**

Primary Examiner—Kay H. Chin
Attorney, Agent, or Firm—Feix & Feix

[75] Inventor: **Jeff Waldo Sand**, San Francisco, Calif.

[57] **CLAIM**

[73] Assignee: **Switch Manufacturing**, San Francisco, Calif.

The ornamental design for a boot-to-binding interface for a step in snowboard binding, as shown and described.

[**] Term: **14 Years**

DESCRIPTION

[21] Appl. No.: **48,222**

FIG. 1 is a top front right side perspective view of the boot-to-binding interface for a step in snowboard binding of the present invention;

[22] Filed: **Dec. 22, 1995**

FIG. 2 is a top view of FIG. 1;

[51] LOC (6) Cl. **21-02**

FIG. 3 is a back side elevation view of FIG. 1;

[52] U.S. Cl. **D21/230; D21/229**

FIG. 4 is a front side elevation view of FIG. 1;

[58] Field of Search **D21/228, 229, D21/230; 280/607, 617, 14.2, 16, 611**

FIG. 5 is a right end view of FIG. 1, the left end view being a mirror image thereof; and,

[56] References Cited

FIG. 6 is a bottom plan view of FIG. 1.

U.S. PATENT DOCUMENTS

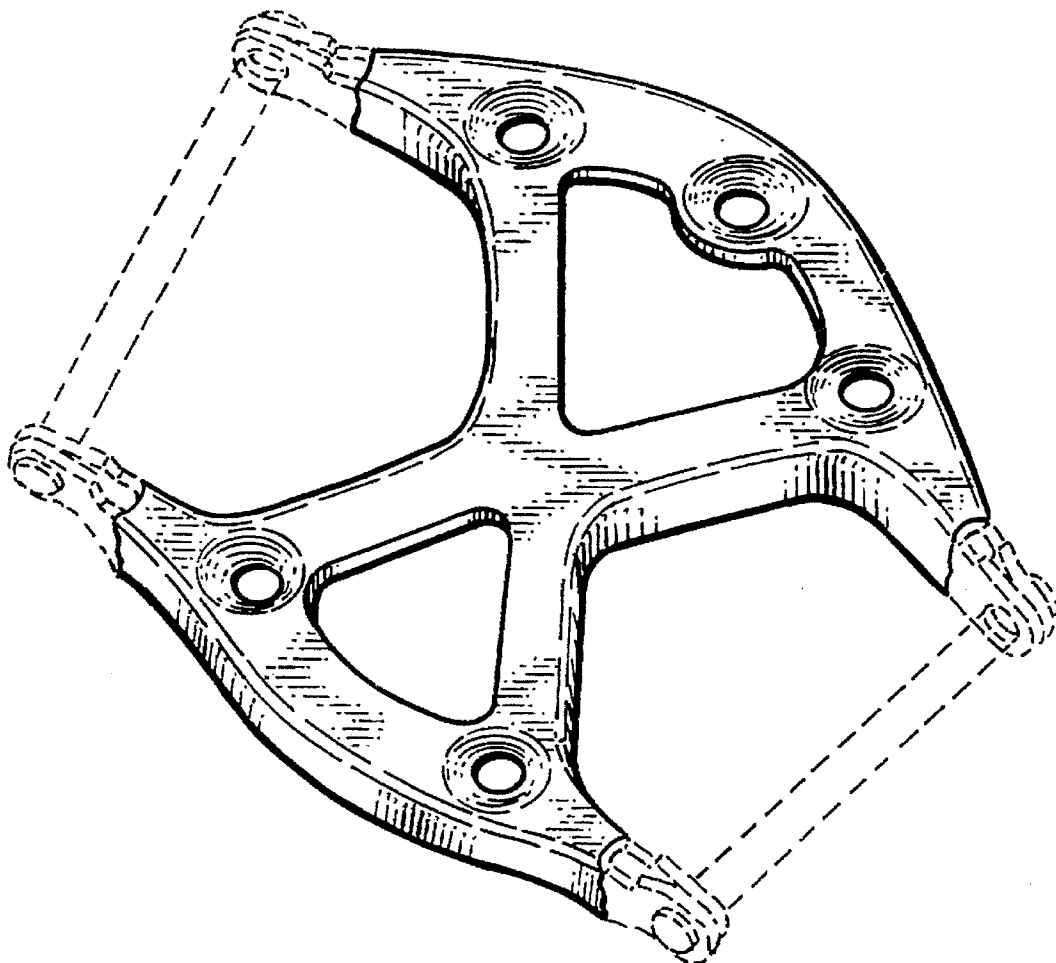
The broken lines showing the cross bars and connecting bosses of the boot-to-binding interface in FIGS. 1 to 6 are for illustrative purposes only and form no part of the claimed design.

D. 364,667	11/1995	Pacha	D21/230
D. 365,132	12/1995	Sims	D21/230
5,417,443	5/1995	Blattner et al.	280/14.2

FOREIGN PATENT DOCUMENTS

3633001	11/1987	Germany	280/607
---------	---------	---------	-------	---------

1 Claim, 1 Drawing Sheet



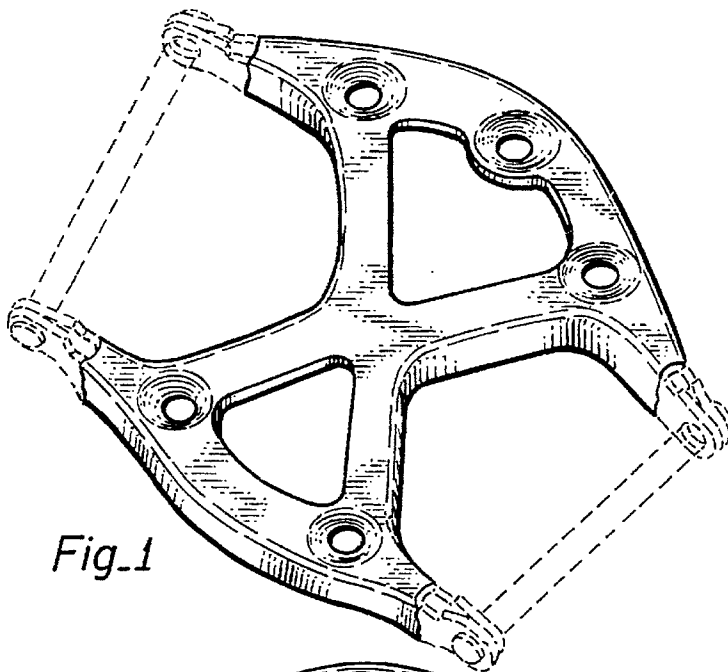


Fig. 1

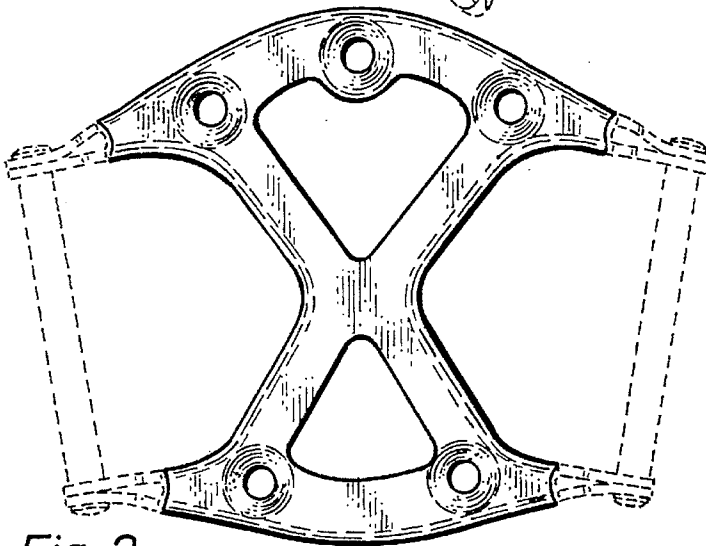


Fig. 2

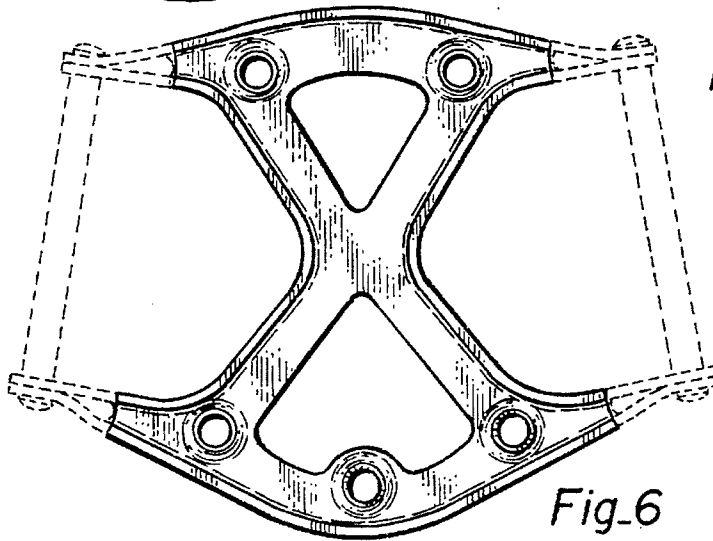


Fig. 6



Fig. 3



Fig. 4



Fig. 5