



US00D830312S

(12) **United States Design Patent** (10) **Patent No.:** **US D830,312 S**
Nguyen et al. (45) **Date of Patent:** **** Oct. 9, 2018**

(54) **CONNECTOR ASSEMBLY**
(71) Applicant: **Molex, LLC**, Lisle, IL (US)
(72) Inventors: **Duy Nguyen**, Chicago, IL (US);
Anthony Gerard Quebbemann,
Lisbon, WI (US)
(73) Assignee: **Molex, LLC**, Lisle, IL (US)
(**) Term: **15 Years**

D412,435 S * 8/1999 Cultice, Jr. D8/397
6,017,243 A 1/2000 Castaldo
D457,604 S * 5/2002 Chen D23/262
D484,031 S * 12/2003 Ellis D8/387
D484,036 S * 12/2003 Koch D8/397
D496,101 S * 9/2004 Davison D24/112
D502,644 S * 3/2005 Ellis D8/382
D517,904 S * 3/2006 Alkalay D8/382
D520,351 S * 5/2006 Alkalay D8/382
D521,941 S * 5/2006 Phung D13/156
D555,597 S * 11/2007 Phung D13/133

(Continued)

(21) Appl. No.: **29/618,987**

(22) Filed: **Sep. 26, 2017**

(51) **LOC (11) Cl.** **13-03**

(52) **U.S. Cl.**
USPC **D13/154**; D13/133; D13/147

(58) **Field of Classification Search**
USPC D8/349, 350, 353, 354, 355, 356, 359,
D8/366, 367, 373, 74, 381, 382, 383,
D8/385; D13/154, 110, 133, 146, 147,
D13/155, 150, 151, 153, 156, 184, 199;
D23/254, 262, 265, 266; D24/127-131,
D24/112-114, 133, 186; 606/181, 185;
604/264, 523-528, 272, 187, 158,
604/164.01-164.11, 181, 184, 227;
600/101, 139, 143; 128/200.24, 207.14,
128/207.15; 439/578, 579, 580, 581, 582,
439/583, 584, 585, 694, 695, 944, 155,
439/306-309, 352, 460, 469, 597, 600,
439/607-610, 380
CPC H01R 12/716; H01R 2107/00; H01R
13/6658; H01R 13/6275; H01R 13/514
See application file for complete search history.

(56) **References Cited**

U.S. PATENT DOCUMENTS

3,167,374 A 1/1965 Healy
D347,467 S * 5/1994 Medvick D23/262
5,743,759 A 4/1998 Pudims et al.

OTHER PUBLICATIONS

AEM Performance Electronics; "Installation Instructions for PN: 30-8444 Universal Gauge Boot for 52MM (2 1/16") Gauges"; Publication date unknown but prior to filing date of present application, pp. 1-3, Advanced Engine Management Inc., Hawthorne, CA.

(Continued)

Primary Examiner — David Muller
Assistant Examiner — Nathan Johnston
(74) *Attorney, Agent, or Firm* — Banner & Witcoff, Ltd.

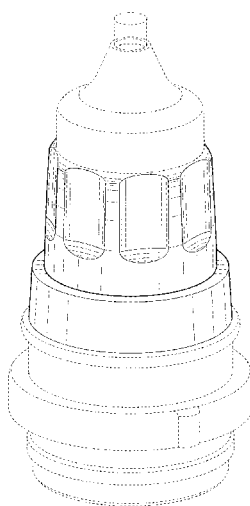
(57) **CLAIM**

The ornamental design for a connector assembly, as shown and described.

DESCRIPTION

FIG. 1 is a front perspective view of a connector assembly showing our new design;
FIG. 2 is a front elevation view thereof;
FIG. 3 is a right side elevation view thereof;
FIG. 4 is a left side elevation view thereof;
FIG. 5 is a top plan view thereof; and,
FIG. 6 is a rear elevation view thereof.
The broken line showing of the remainder of a connector assembly represents unclaimed environmental subject matter and forms no part of the claimed design.

1 Claim, 6 Drawing Sheets



(56)

References Cited

U.S. PATENT DOCUMENTS

D568,969 S * 5/2008 Bucchi D23/262
 D578,482 S * 10/2008 Amidon D13/133
 D590,701 S * 4/2009 Hockman D8/382
 D600,210 S * 9/2009 Snyder D13/133
 D623,049 S * 9/2010 Zeyfang D8/397
 7,857,647 B2 12/2010 Bracci et al.
 D659,103 S * 5/2012 Natoli D13/156
 D662,059 S * 6/2012 Amidon D13/151
 D669,980 S * 10/2012 Lev D24/129
 8,479,383 B2 * 7/2013 Van Swearingen
 B23K 20/129
 29/828
 D688,937 S * 9/2013 Brewer D8/382
 D709,834 S * 7/2014 Liu D13/151
 D713,705 S * 9/2014 Mina D8/397
 D719,244 S * 12/2014 Yang D23/262
 D736,358 S * 8/2015 Melo D23/262
 D760,363 S * 6/2016 Yang D23/262
 D760,384 S * 6/2016 Niunoya D24/127
 D781,787 S * 3/2017 Spiel D13/149
 D787,054 S * 5/2017 Rini D24/130
 D790,044 S * 6/2017 Li D23/262
 D807,794 S * 1/2018 Guse D12/159
 D810,029 S * 2/2018 Robert D13/151
 2002/0133124 A1 * 9/2002 Leinsing A61M 39/26
 604/256
 2010/0055978 A1 * 3/2010 Montena H01R 13/622
 439/583
 2012/0129389 A1 * 5/2012 Van Swearingen
 B23K 20/129
 439/578
 2013/0034404 A1 * 2/2013 Pecho F16B 37/068
 411/378
 2013/0143438 A1 * 6/2013 Wilson H01R 9/0524
 439/578
 2014/0012204 A1 * 1/2014 Bosshardt A61M 39/1011
 604/187
 2015/0147919 A1 * 5/2015 Seelig H01R 13/506
 439/695

OTHER PUBLICATIONS

Ericson Manufacturing; "Plug, NEMA 5-15 Straight Blade 125V 15A Perma-Kleen Watertight 4X/6P SM 14W47, 1510-PW6P-AM"; Publication date unknown but prior to filing date of present application; Date Accessed: Feb. 13, 2018; URL: < <https://eselect.ericson.com/ecatalog/wiring-devices/en/1510-PW6P-AM>>.
 Ericson Manufacturing; "Connector, Perma-Tite NEMA 5-15R 2P/3W Straight Blade 15A 125V 1ph, Safety Yellow, 1610-CW6P"; Publication date unknown but prior to filing date of present application; Date Accessed: Feb. 13, 2018; URL: < <https://eselect.ericson.com/ecatalog/wiring-devices/en/1610-CW6P>>.
 AMP Incorporated; "Instruction Sheet IS 7643"; AMP Circular Rubber Sealed Connectors (CRSC); pp. 1-2; AMP Incorporated, Harrisburg, PA.
 Hubbell; "Watertight Devices, 15A, 125V, 2 Pole, 3 Wire, Straight Blade Plug"; Publication date unknown but prior to filing date of present application; Hubbell Wiring Device—Kellems; Shelton, CT.
 Hubbell; "Watertight Devices, 15A, 125V, 2 Pole, 3 Wire, Straight Blade Connector"; Publication date unknown but prior to filing date of present application; Hubbell Wiring Device—Kellems; Shelton, CT.
 Leviton; "15W47, 15 Amp, 125 Volt, NEMA 5-15R, 2P, 3W, Connector, Straight Blade, Industrial Grade, Grounding, Wetguard—Yellow"; Publication date unknown but prior to filing date of present application; pp. 1-2; Date Access: Feb. 16, 2018; URL: < <http://www.leviton.com/en/products/15w47>>.
 Leviton; "14W47, 15 Amp, 125 Volt, NEMA 5-15R, 2P, 3W, Plug, Straight Blade, Industrial Grade, Grounding, Wetguard—Yellow"; Publication date unknown but prior to filing date of present application; pp. 1-3; Date Access: Feb. 16, 2018; URL: < <http://www.leviton.com/en/products/14w47>>.

* cited by examiner

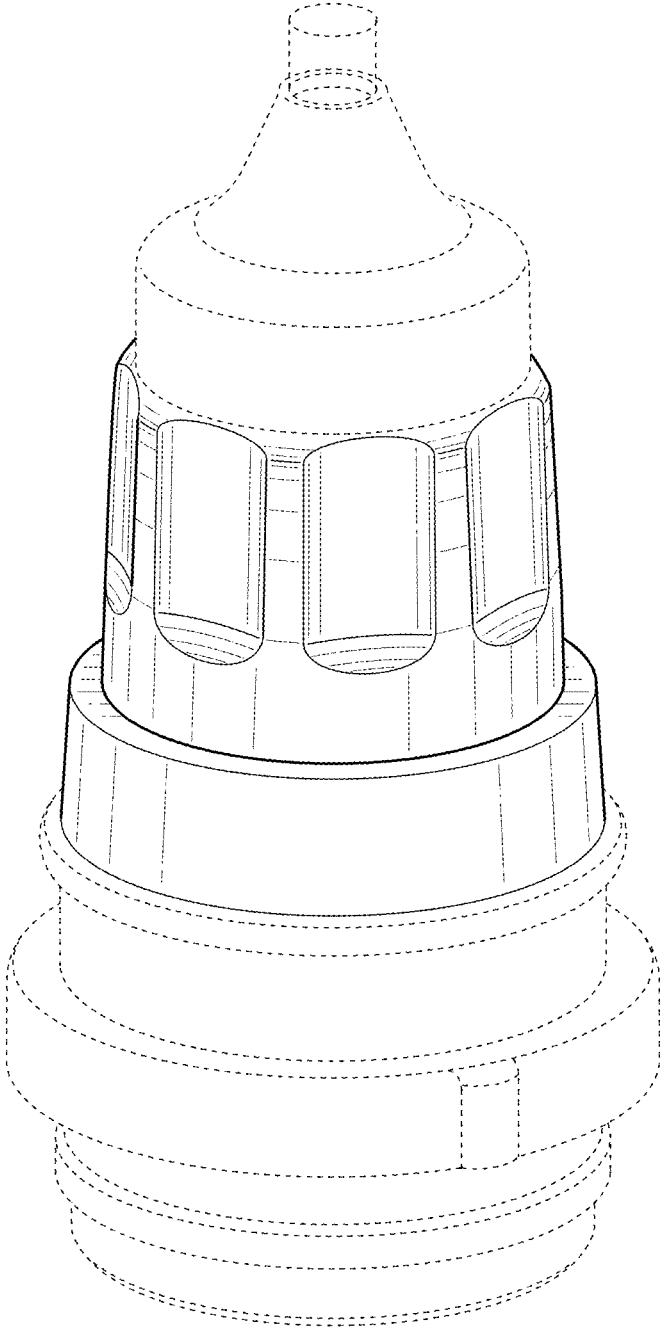


FIG. 1

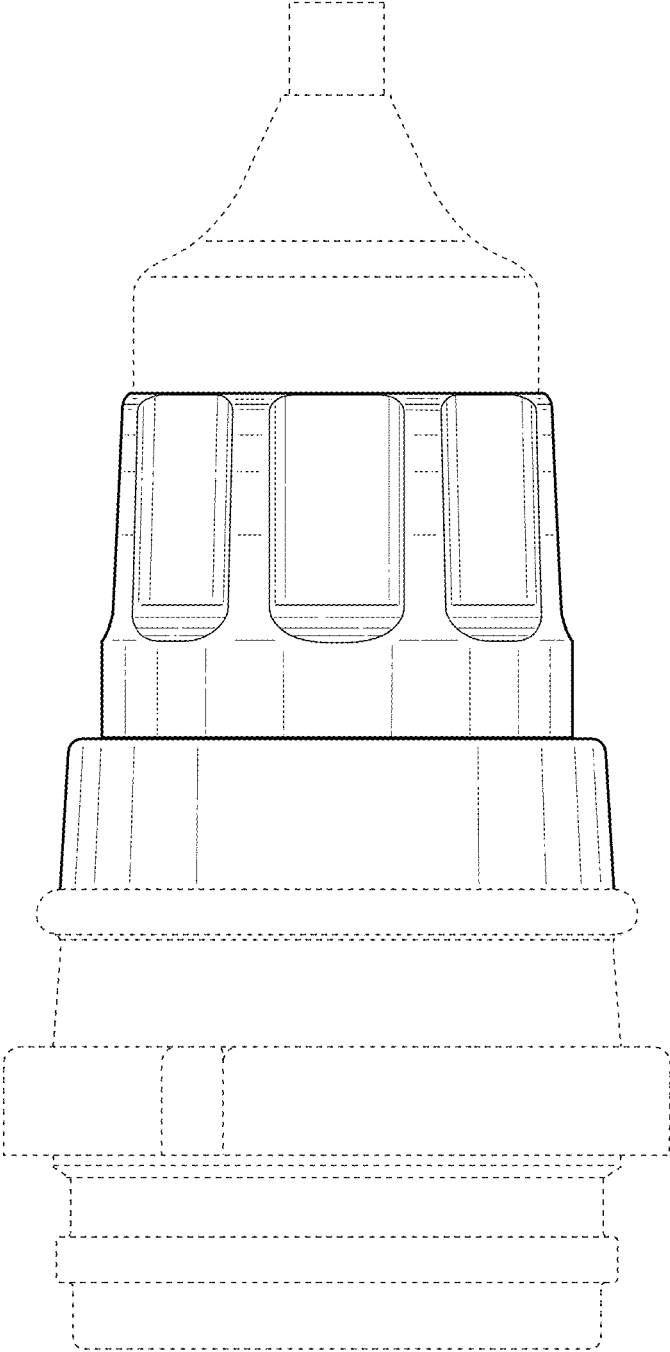


FIG. 2

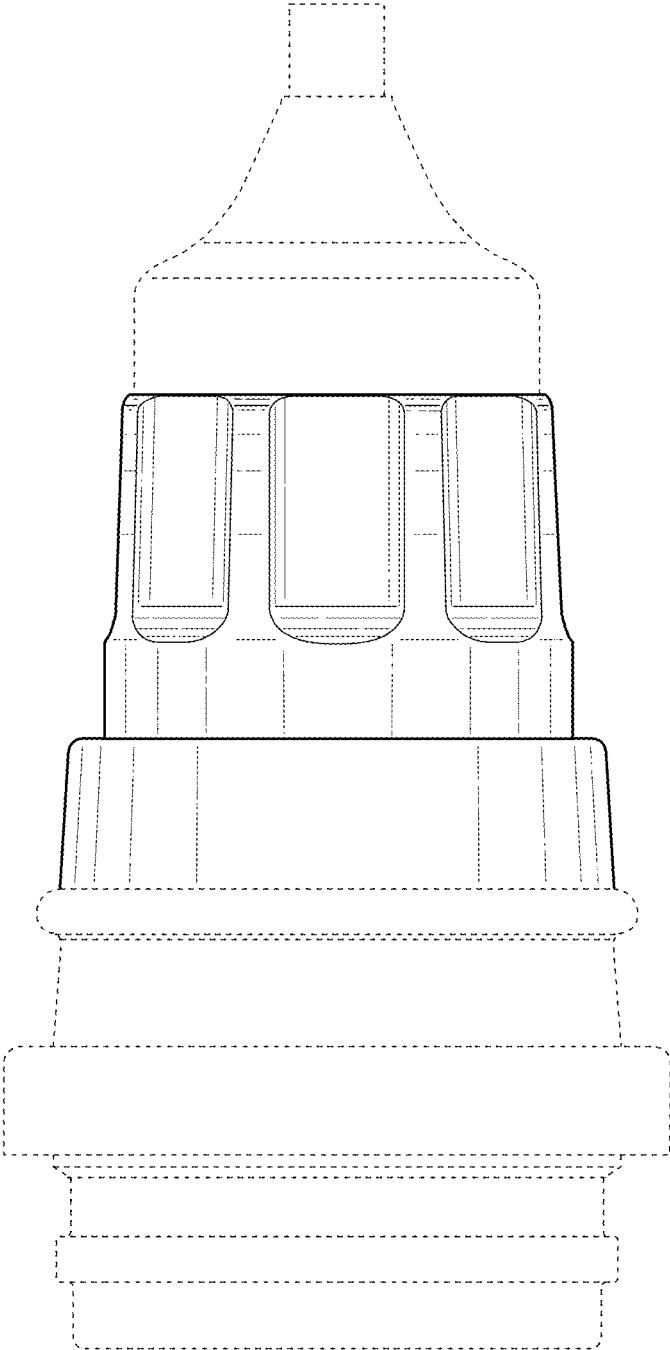


FIG. 3

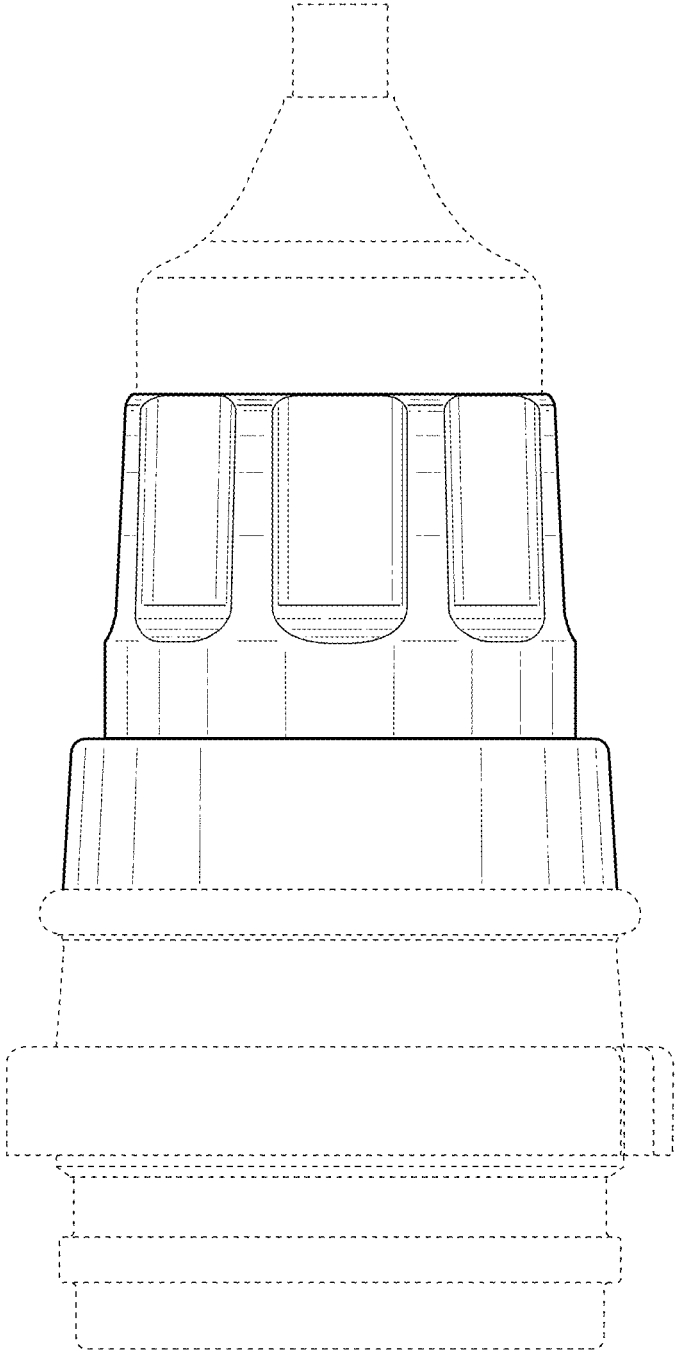


FIG. 4

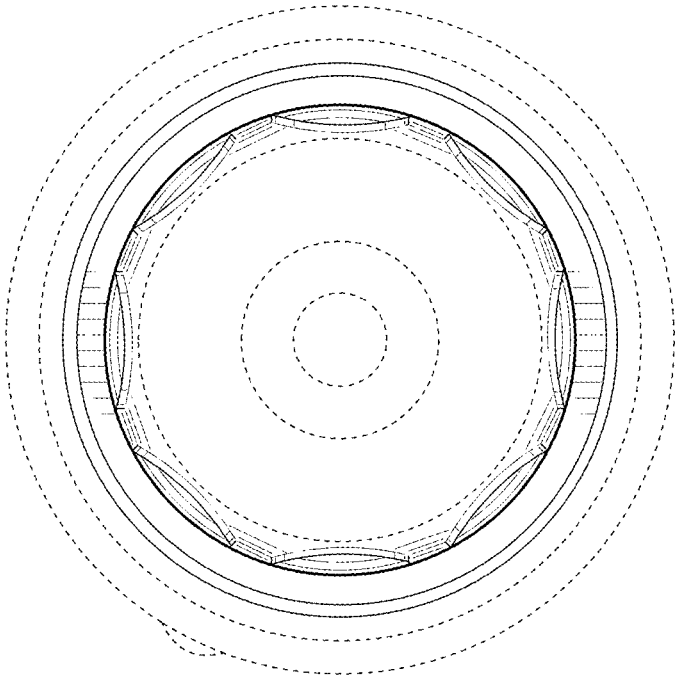


FIG. 5

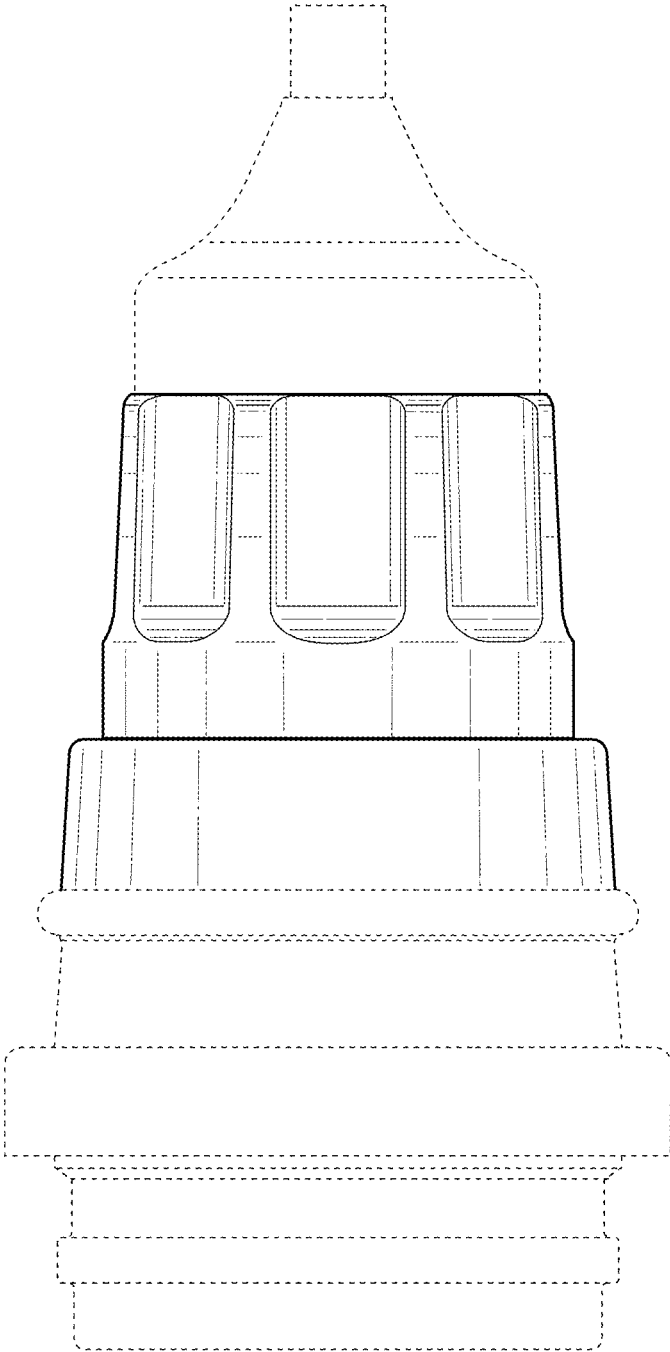


FIG. 6