



US00D602386S

(12) **United States Design Patent**
Ueda et al.

(10) **Patent No.:** **US D602,386 S**

(45) **Date of Patent:** **** Oct. 20, 2009**

(54) **SPEEDOMETER FOR A BICYCLE**
(75) Inventors: **Takashi Ueda**, Osaka (JP); **Toshiyuki Nagano**, Osaka (JP)

D482,340 S * 11/2003 Cianfanelli D10/32
D508,038 S * 8/2005 Bonadei D10/32
D538,687 S * 3/2007 Komulainen D10/70
D586,674 S * 2/2009 Solarewicz D10/70
D591,620 S * 5/2009 Giannini D10/32

(73) Assignee: **Cateye Co., Ltd.**, Osaka (JP)

* cited by examiner

(**) Term: **14 Years**

Primary Examiner—Antoine D Davis

(21) Appl. No.: **29/310,255**

(74) *Attorney, Agent, or Firm*—Olson & Cepuritis, Ltd.

(22) Filed: **Aug. 5, 2008**

(57) **CLAIM**

(30) **Foreign Application Priority Data**

The ornamental design for a speedometer for a bicycle, as shown.

Feb. 19, 2008 (JP) 2008-003579

(51) **LOC (9) Cl.** **10-04**

(52) **U.S. Cl.** **D10/98; D10/32**

(58) **Field of Classification Search** D10/30-32,
D10/70, 98; 224/3 R, 3 A, 32, 36, 38, 41;
368/10-12, 14, 107-113, 278, 281, 282,
368/316, 317

See application file for complete search history.

DESCRIPTION

FIG. 1 is a perspective view of a speedometer for a bicycle showing our new design;

FIG. 2 is a front view thereof;

FIG. 3 is a rear view thereof;

FIG. 4 is a top plan view thereof;

FIG. 5 is a bottom plan view thereof;

FIG. 6 is a right side view thereof; and,

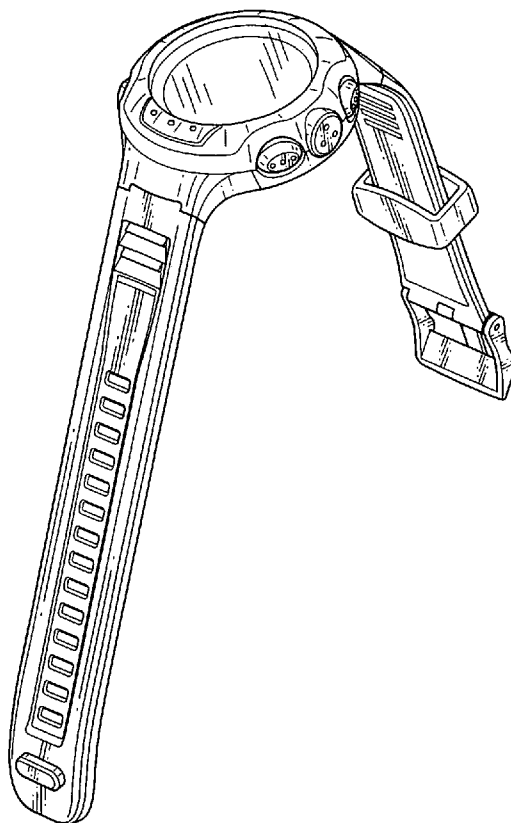
FIG. 7 is a left side view thereof.

(56) **References Cited**

U.S. PATENT DOCUMENTS

D300,610 S * 4/1989 Machida D10/98
D455,093 S * 4/2002 Fitzgerald D10/98

1 Claim, 5 Drawing Sheets



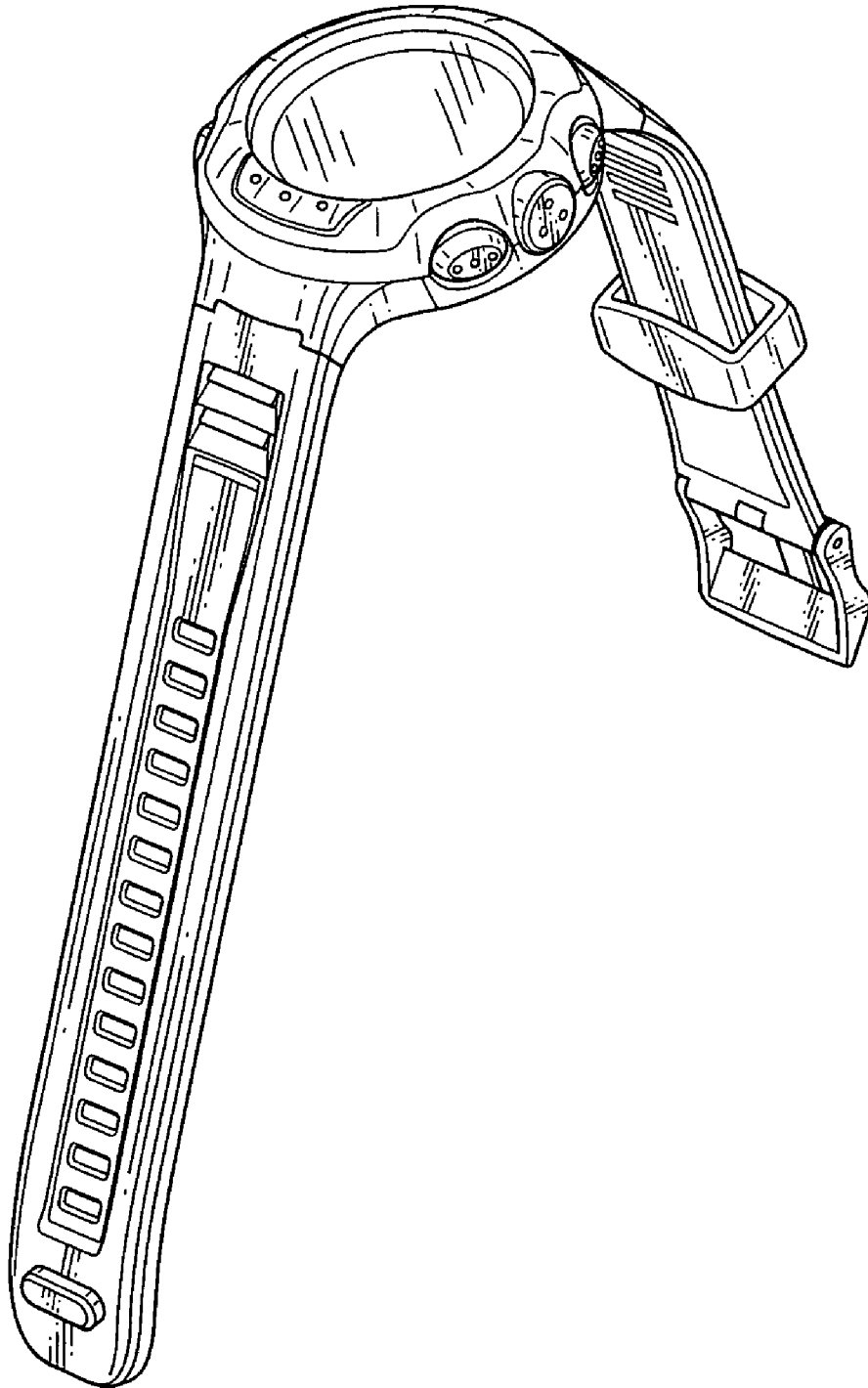


Fig. 1

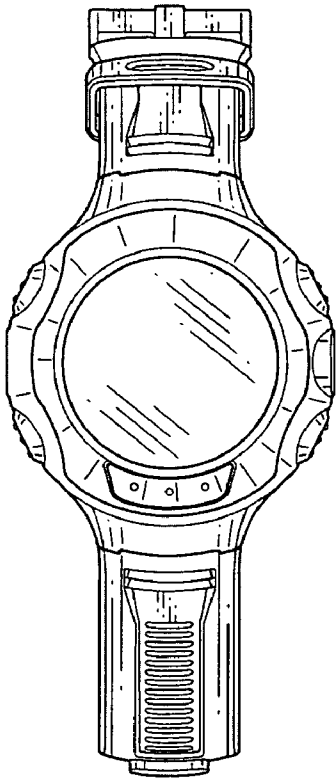


Fig. 2

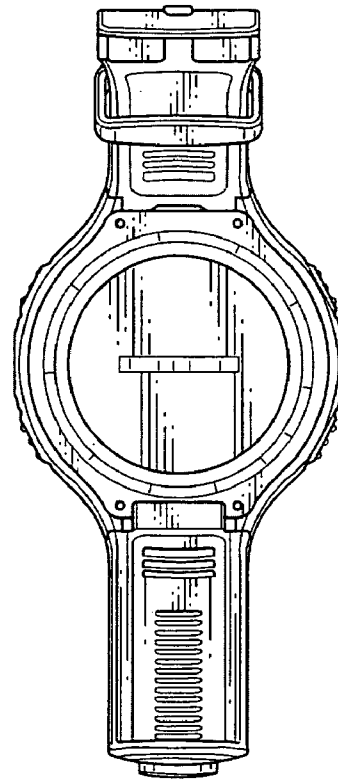


Fig. 3

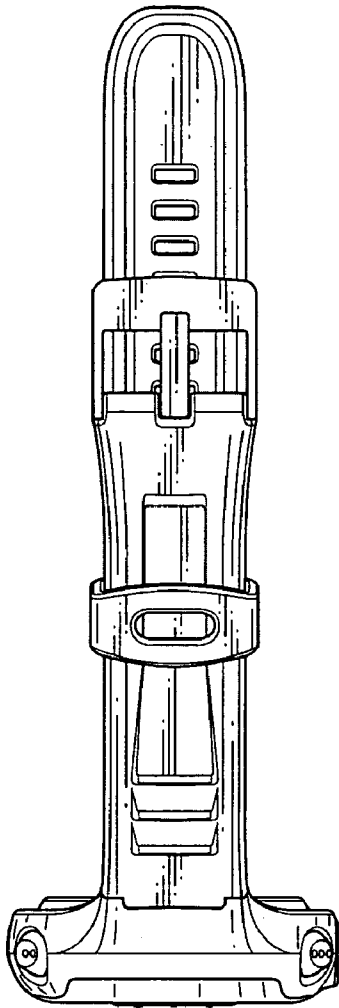


Fig. 4

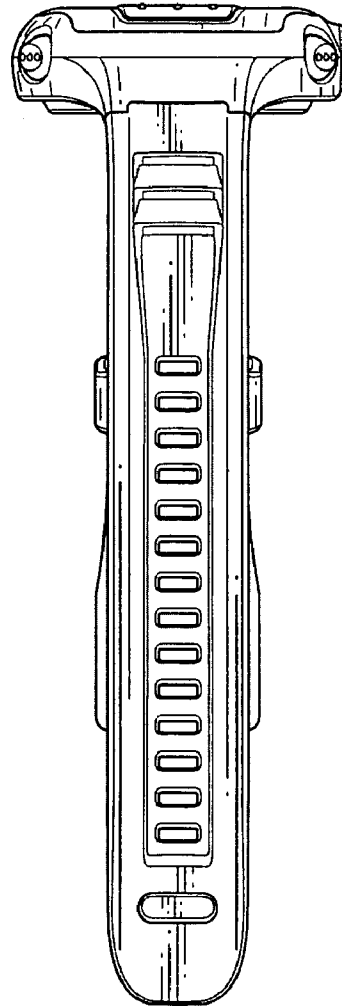


Fig. 5

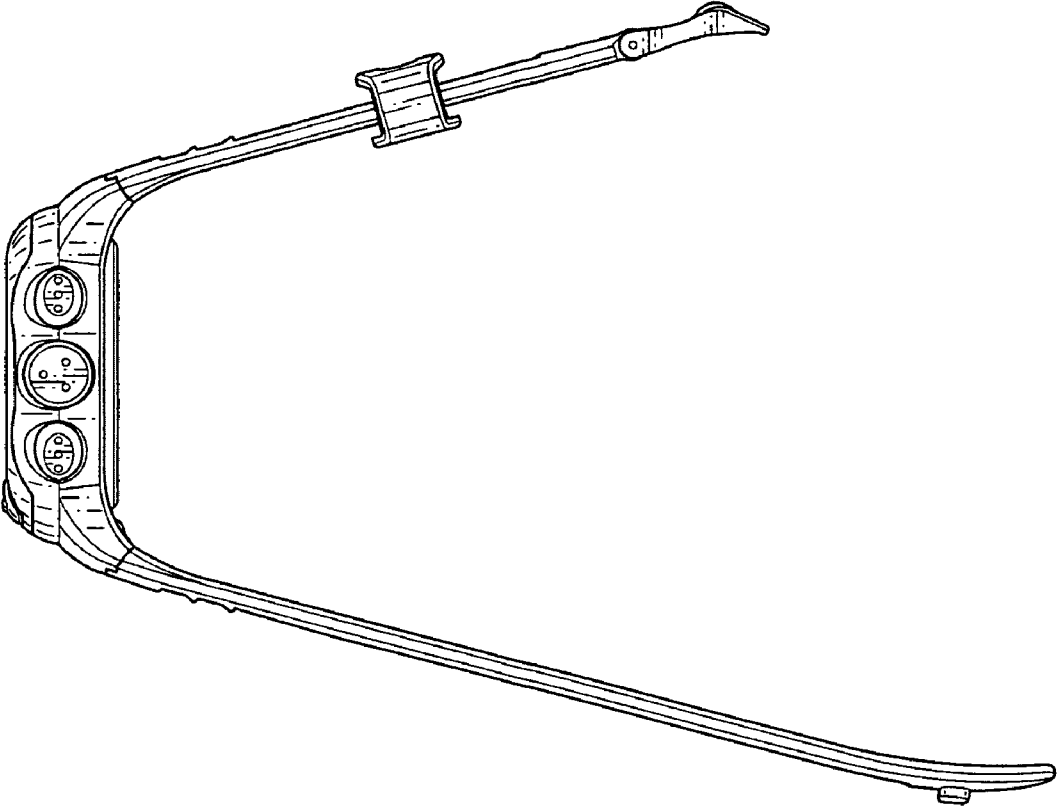


Fig. 6

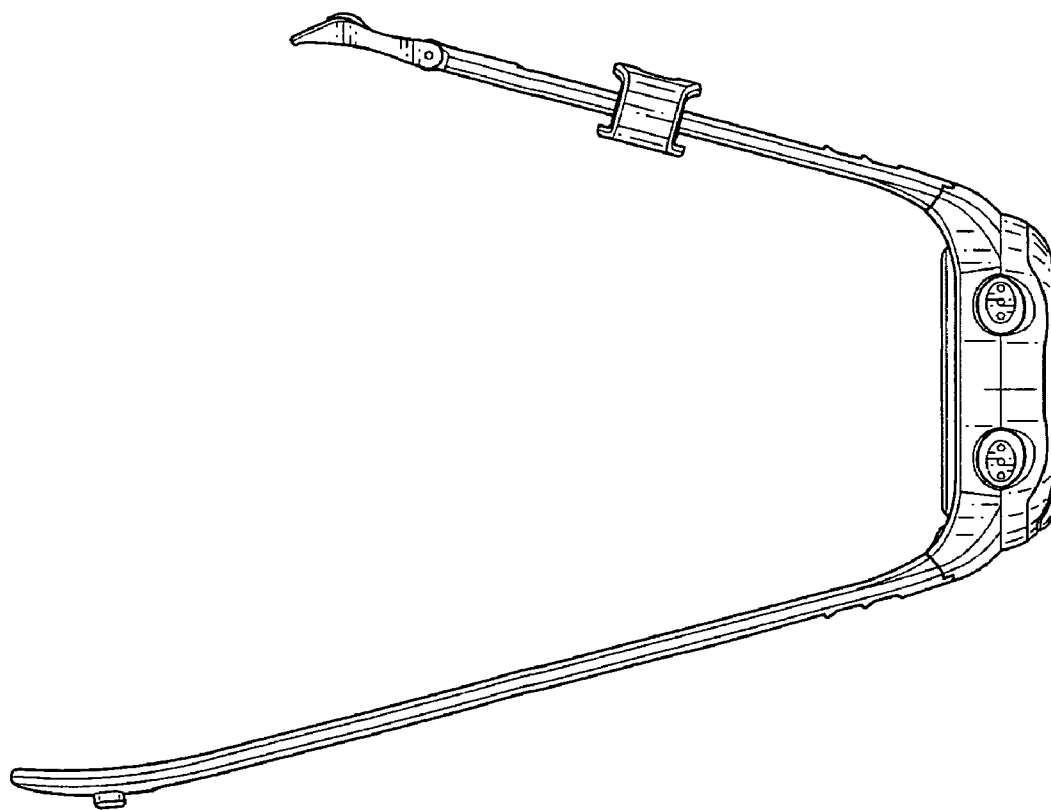


Fig. 7