



US00D941247S

(12) **United States Design Patent**
Parfitt

(10) **Patent No.:** **US D941,247 S**

(45) **Date of Patent:** **** Jan. 18, 2022**

- (54) **POWER ADAPTER**
- (71) Applicant: **Facebook Technologies, LLC**, Menlo Park, CA (US)
- (72) Inventor: **Benjamin John Parfitt**, Pacifica, CA (US)
- (73) Assignee: **Facebook Technologies, LLC**, Menlo Park, CA (US)

- 2010/0253283 A1* 10/2010 Francois H02J 7/0042
320/114
- 2014/0080337 A1* 3/2014 Lai H01R 13/447
439/172
- 2017/0170614 A1* 6/2017 You H01R 13/6276

FOREIGN PATENT DOCUMENTS

- CN 201530355089 * 12/2015
- CN 201530552798 * 6/2016

OTHER PUBLICATIONS

“Facebook Portal Plus”. Found online Oct. 14, 2020 at amazon.com. Reference dated Oct. 29, 2019. Retrieved from https://www.amazon.com/Portal-Facebook-Hands-Free-Calling-Built/dp/B07XPS5W3L/ref=sr_1_1_sspa?th=1. (Year: 2019).*

(Continued)

Primary Examiner — Kendra Leslie Hamilton
Assistant Examiner — Amanda Christensen
(74) *Attorney, Agent, or Firm* — FisherBroyles, LLP

(57) **CLAIM**

The ornamental design for a power adapter, as shown and described.

DESCRIPTION

FIG. 1 is a top, front, left side perspective view of a power adapter, showing my new design;
FIG. 2 is a top, rear, right side perspective view thereof;
FIG. 3 is a front elevation view thereof;
FIG. 4 is a rear elevation view thereof;
FIG. 5 is a top plan view thereof;
FIG. 6 is a bottom plan view thereof;
FIG. 7 is a left side elevation view thereof; and,
FIG. 8 is a right side elevation view thereof.
The broken lines in the drawings depict portions of the power adapter that form no part of the claimed design.

1 Claim, 6 Drawing Sheets

(**) Term: **15 Years**

(21) Appl. No.: **29/703,820**

(22) Filed: **Aug. 29, 2019**

(51) **LOC (13) Cl.** **13-03**

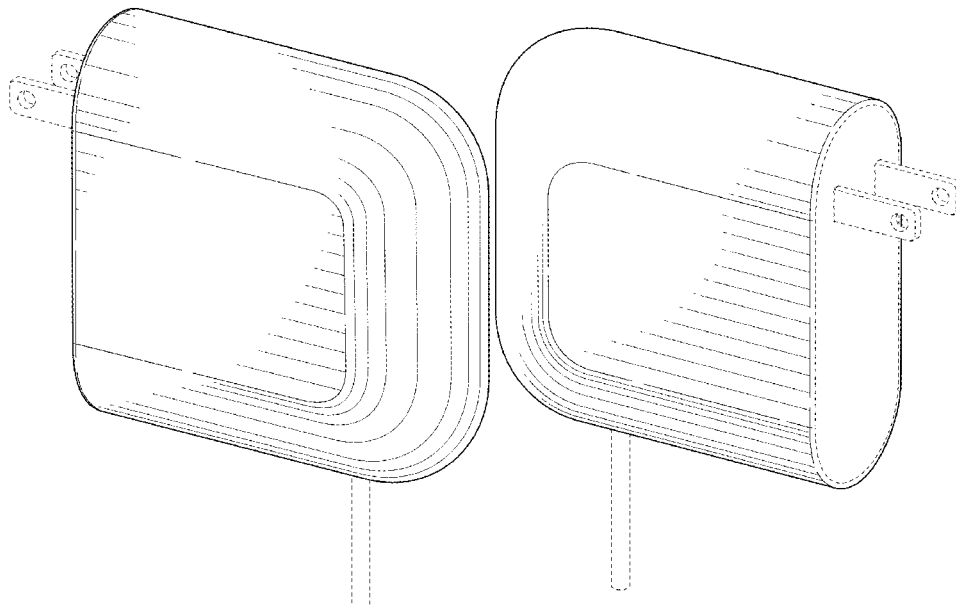
(52) **U.S. Cl.**
USPC **D13/138.1; D13/110**

(58) **Field of Classification Search**
USPC D13/103, 106, 107, 108, 109, 110, 112,
D13/116, 118, 119, 123, 133, 137.1,
D13/138.1, 146, 147, 184; D14/432, 433,
D14/434, 435, 435.1, 438
CPC H01R 24/76; H01R 29/00; H01R 31/06
See application file for complete search history.

(56) **References Cited**

U.S. PATENT DOCUMENTS

- D486,125 S * 2/2004 Lim D13/108
- D531,619 S * 11/2006 Chau D14/217
- D573,946 S * 7/2008 Ledbetter D13/110
- D592,133 S * 5/2009 Dong D13/108
- D621,357 S * 8/2010 Dong D13/138.1
- D660,795 S * 5/2012 Wen D13/110
- D720,692 S * 1/2015 Matsuoka D13/110
- D777,672 S * 1/2017 Park D13/138.1
- D872,013 S * 1/2020 Lee D13/108
- D884,626 S * 5/2020 Lyu D13/110



(56)

References Cited

OTHER PUBLICATIONS

"Lenovo Adapter". Found online Oct. 14, 2020 at shop.pricetronic.com. Reference dated Jan. 31, 2018. Retrieved from https://tineye.com/search/576f90385d285e31d2aaafe0abf61637c905b915?sort=crawl_date&order=asc&page=1&ia=ebay.com. (Year: 2018).*

"AC Adapter Power Supply". Found online Nov. 9, 2020 at amazon.com. Reference dated Feb. 5, 2018. Retrieved from <https://www.amazon.com/Adapter-Compatible-Western-Essential-External/dp/B079NWYXX8>. (Year: 2018).*

"Facebook Portal Plus Charger". Found online Oct. 14, 2020 at battery-vendor.com. Reference dated Oct. 14, 2020. Retrieved from <https://www.battery-vendor.com/facebook-portal-plus-15-6-display-899-00048-01-charger-19v-2-37a-149327.htm>. (Year: 2020).*

* cited by examiner

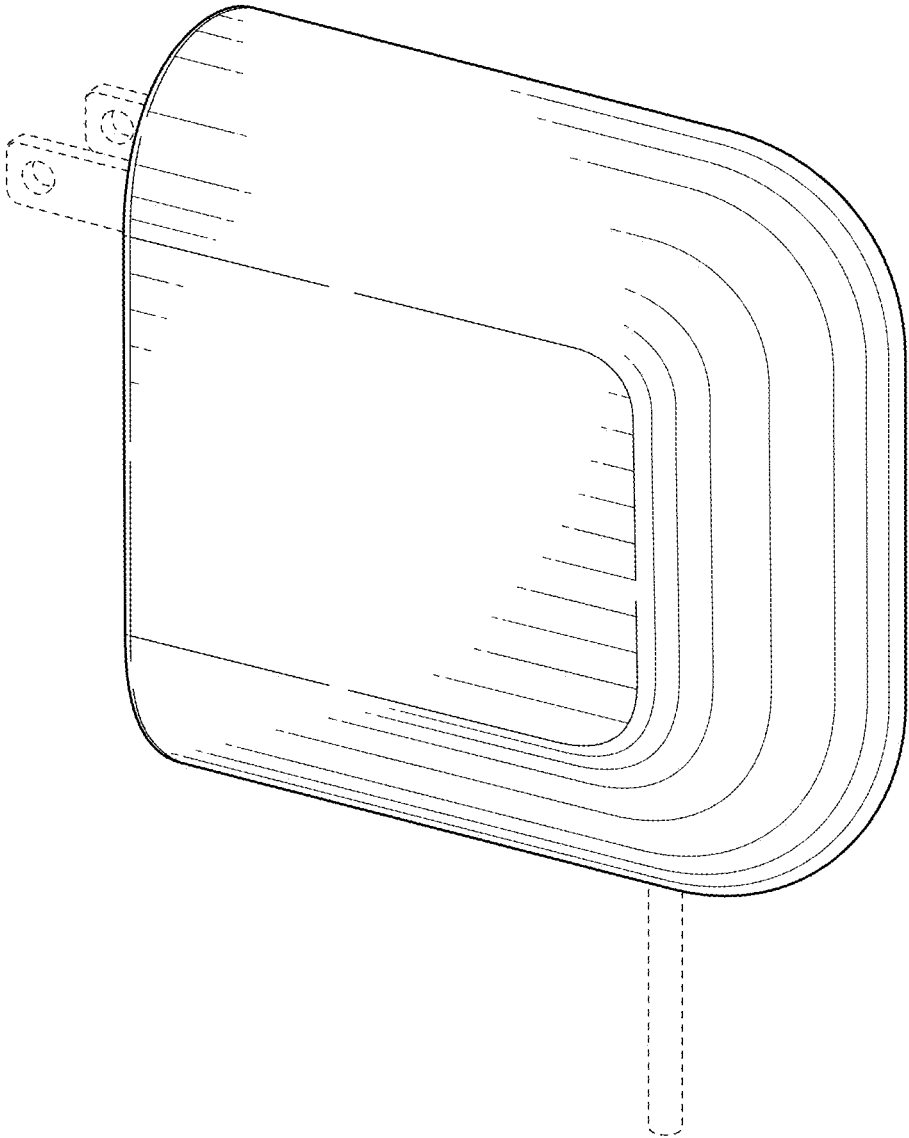


FIG. 1

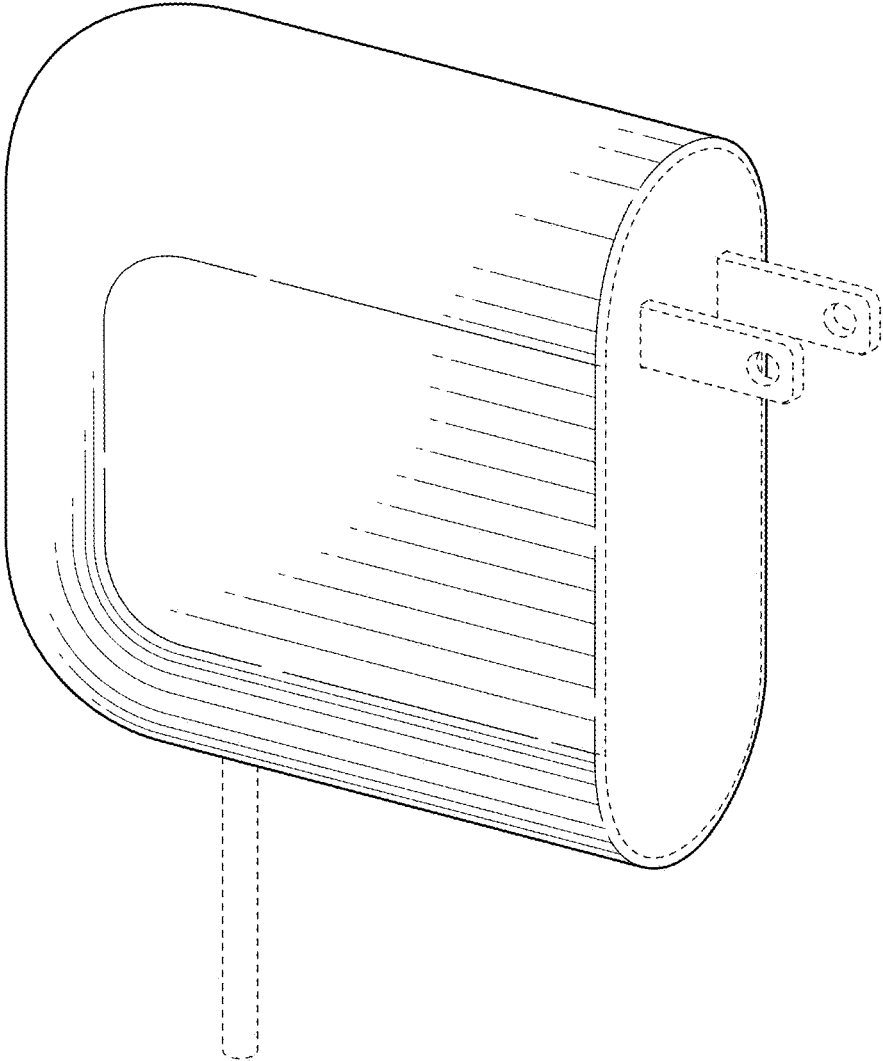


FIG. 2

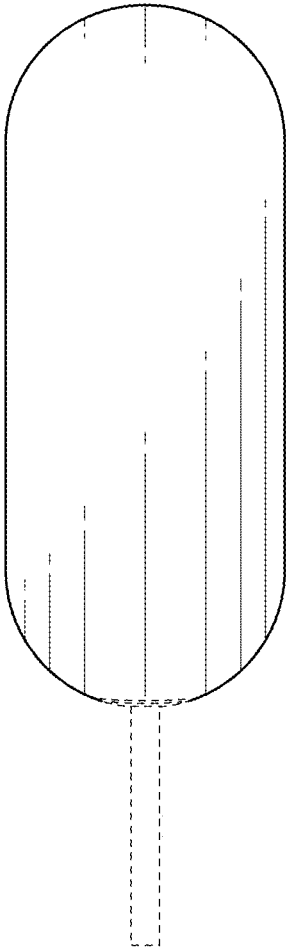


FIG. 3

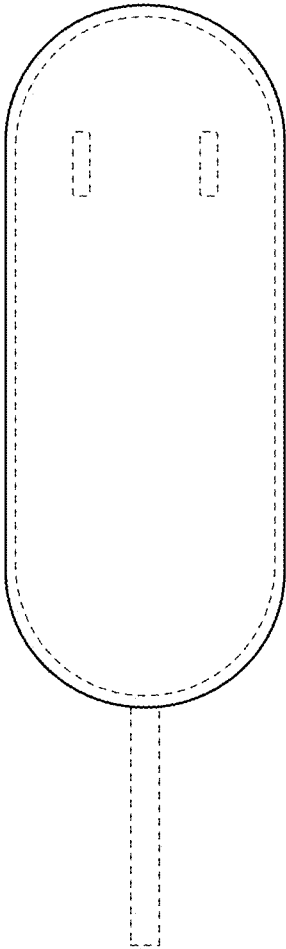


FIG. 4

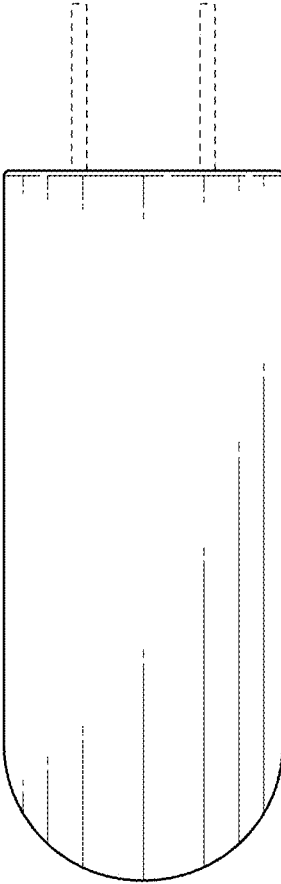


FIG. 5



FIG. 6

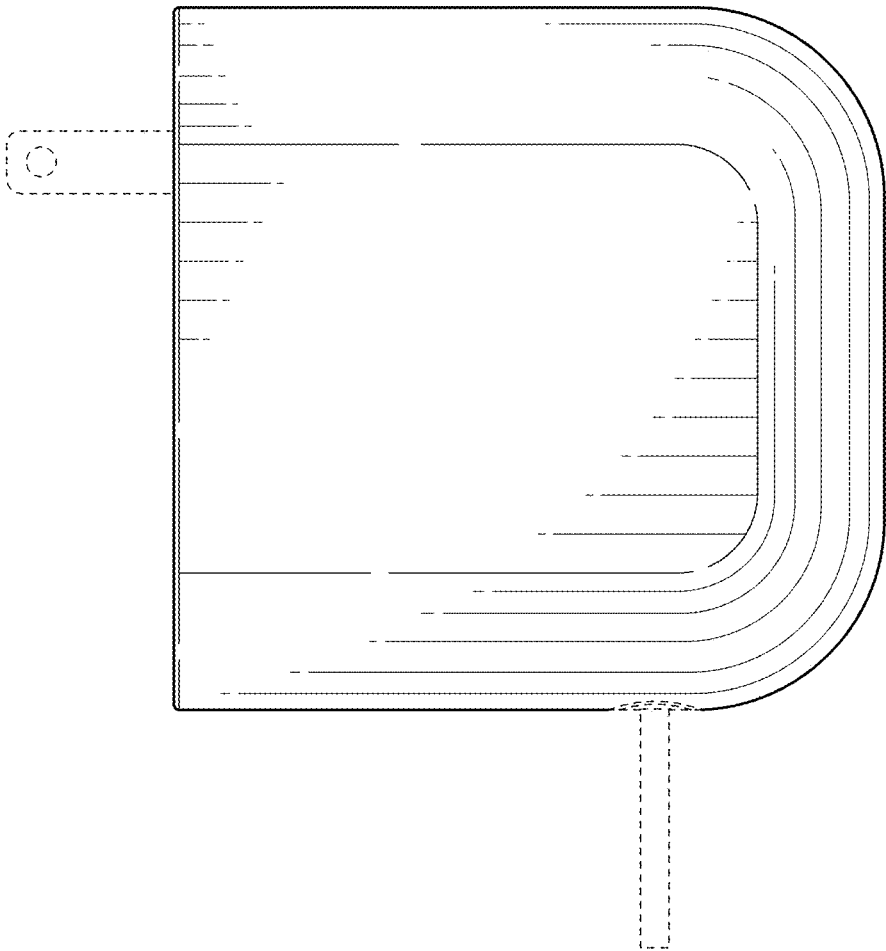


FIG. 7

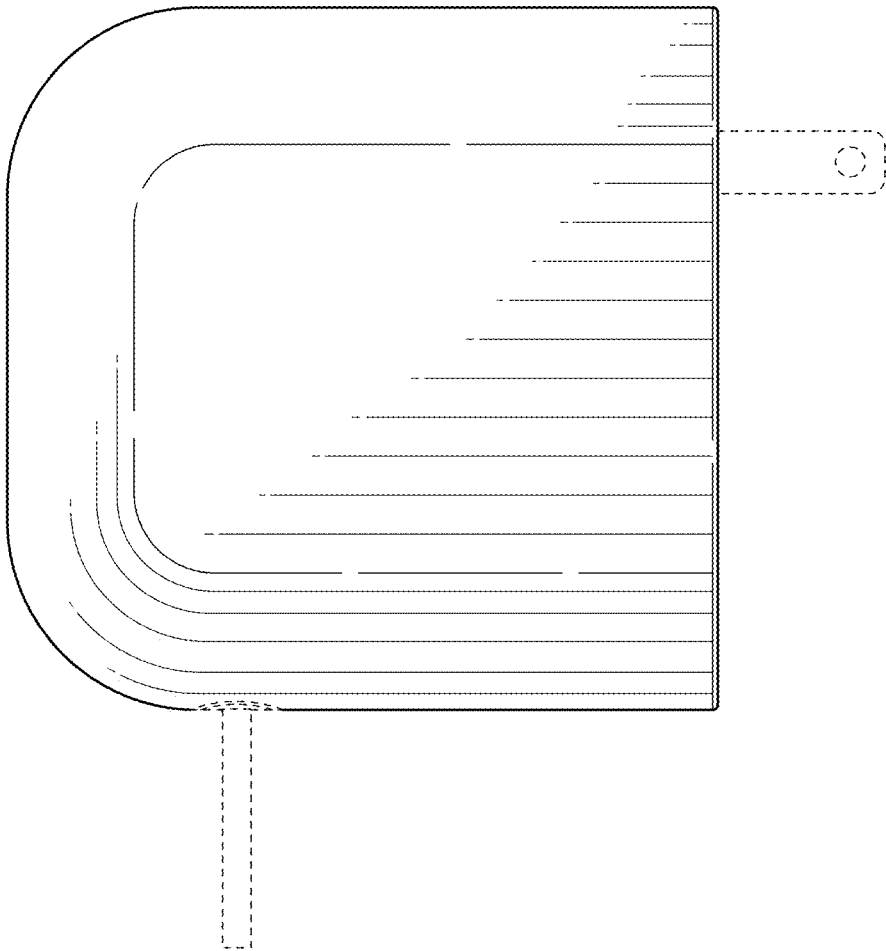


FIG. 8