



US00D828193S

(12) **United States Design Patent**  
**Fornoff et al.**

(10) **Patent No.:** **US D828,193 S**

(45) **Date of Patent:** **\*\* \*Sep. 11, 2018**

(54) **APPARATUS FOR BREATH ANALYSIS**

6,004,277 A \* 12/1999 Maharaj ..... A61B 5/087  
600/532

(71) Applicant: **Robert Bosch GmbH**, Stuttgart (DE)

6,450,969 B1 \* 9/2002 Farr ..... A61B 5/087  
600/529

(72) Inventors: **Dieter Fornoff**, Darmstadt (DE);  
**Torsten Richter**, Darmstadt (DE)

7,182,733 B2 \* 2/2007 Sauerland ..... A61B 5/0002  
181/131

(73) Assignee: **Robert Bosch GmbH**, Stuttgart (DE)

8,517,938 B2 \* 8/2013 Eisenhardt ..... A61B 5/0002  
340/539.12

(\* ) Notice: This patent is subject to a terminal disclaimer.

\* cited by examiner

(\*\*) Term: **15 Years**

*Primary Examiner* — Antoine Duval Davis

(21) Appl. No.: **29/590,162**

(74) *Attorney, Agent, or Firm* — Maginot, Moore & Beck  
LLP

(22) Filed: **Jan. 8, 2017**

(57) **CLAIM**

The ornamental design for an apparatus for breath analysis,  
as shown and described.

(30) **Foreign Application Priority Data**

**DESCRIPTION**

Jul. 11, 2016 (EM) ..... 003301563

(51) **LOC (11) Cl.** ..... **10-04**

(52) **U.S. Cl.**

USPC ..... **D10/81**

(58) **Field of Classification Search**

USPC ..... D10/78, 81

CPC ..... A61B 5/083; A61B 5/087; A61B 5/0833;  
A61B 5/091; A61B 5/222; A61B 5/0002;  
A61B 5/02438; A61B 5/08; G01N

33/497; G01N 33/4972; G01N 33/483;

G01N 33/98; G10L 17/00; Y10S 436/90

See application file for complete search history.

FIG. 1 is a perspective view of a first embodiment of an  
apparatus for breath analysis showing our new design;

FIG. 2 is a right side elevational view of the apparatus for  
breath analysis of FIG. 1;

FIG. 3 is a left side elevational view of the apparatus for  
breath analysis of FIG. 1;

FIG. 4 is a rear elevational view of the apparatus for breath  
analysis of FIG. 1;

FIG. 5 is a front elevational view of the apparatus for breath  
analysis of FIG. 1;

FIG. 6 is a top plan view of the apparatus for breath analysis  
of FIG. 1; and,

FIG. 7 is a bottom plan view of the apparatus for breath  
analysis of FIG. 1.

The broken lines shown in the drawings illustrate portions of  
the apparatus for breath analysis that form no part of the  
claimed design.

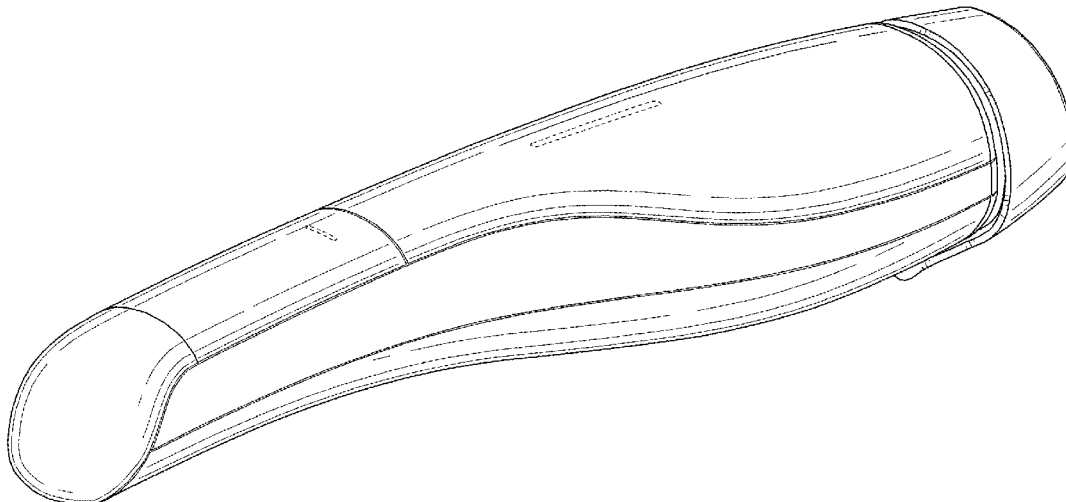
(56) **References Cited**

**U.S. PATENT DOCUMENTS**

4,656,008 A \* 4/1987 Gump ..... G01N 21/783  
422/86

4,825,874 A \* 5/1989 Uhlemann ..... A61B 5/02438  
600/509

**1 Claim, 6 Drawing Sheets**



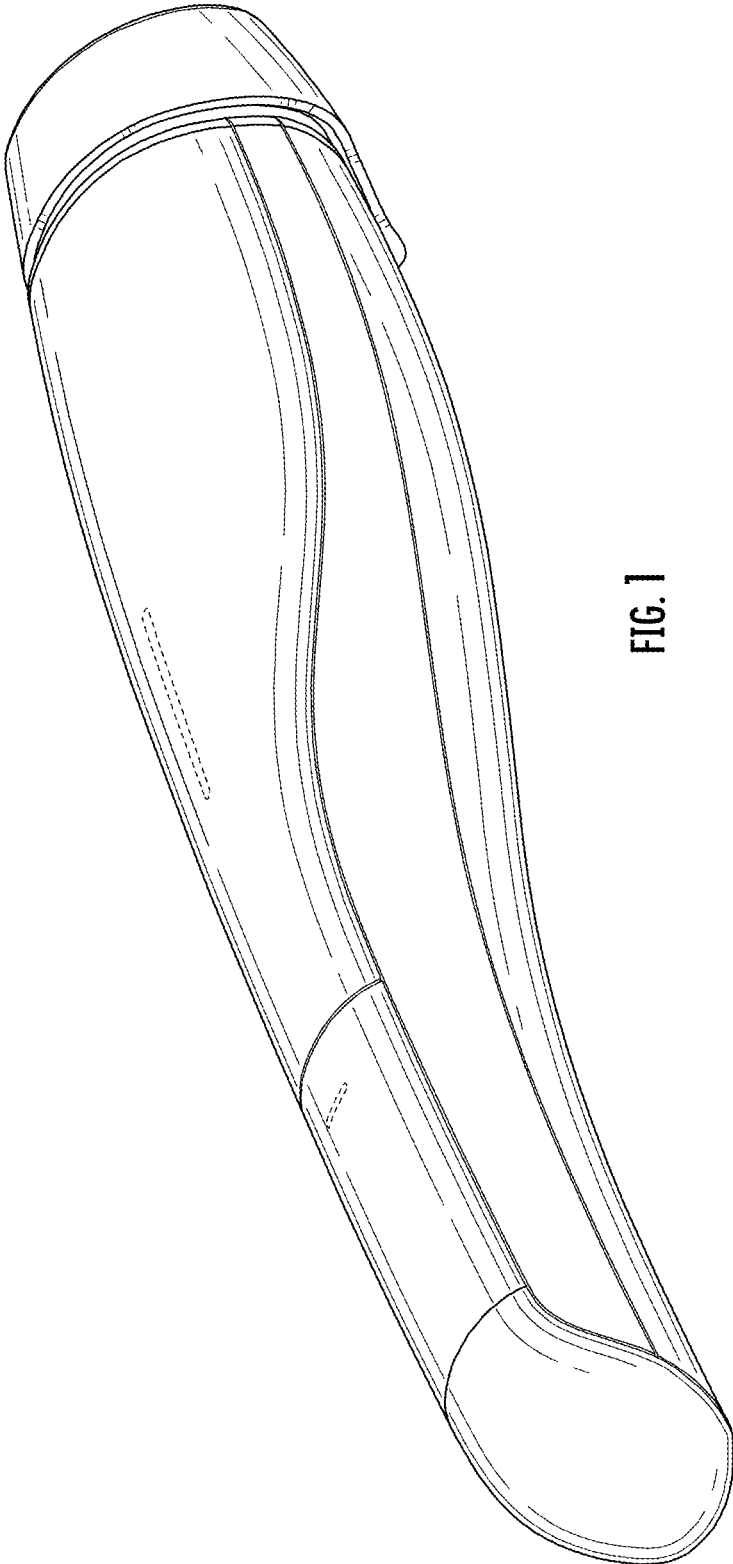


FIG. 1

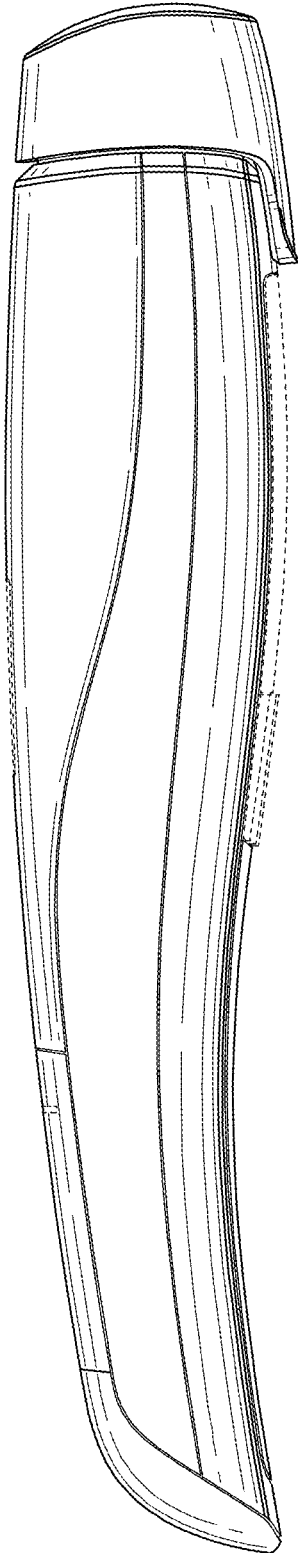


FIG. 2

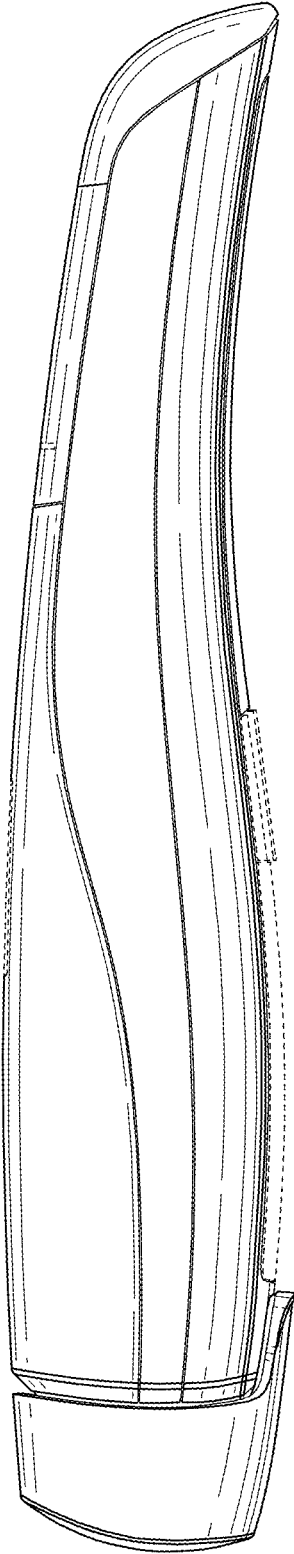


FIG. 3

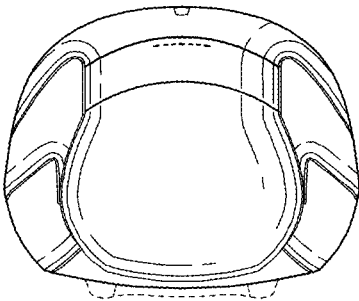


FIG. 4

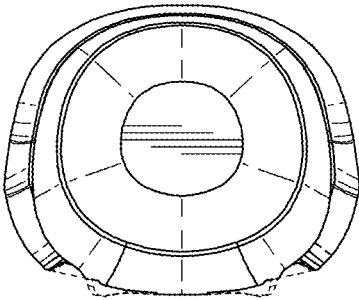


FIG. 5

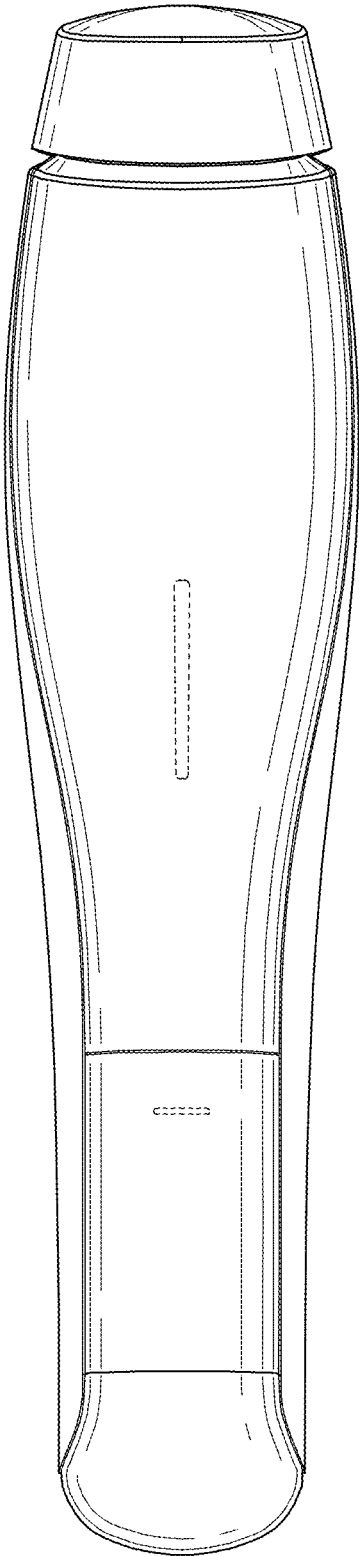


FIG. 6

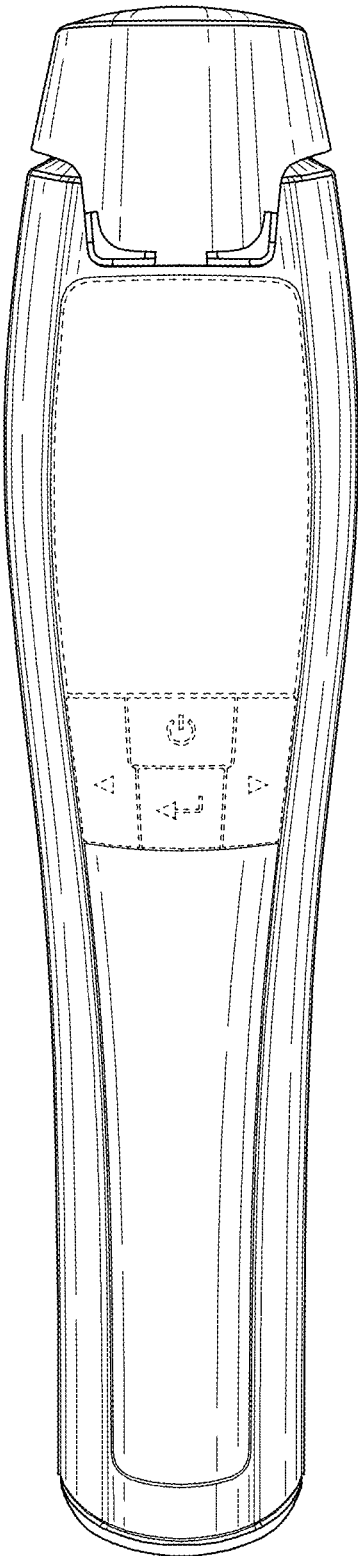


FIG. 7