



US00D632892S

(12) **United States Design Patent**
Zalewski et al.

(10) **Patent No.:** **US D632,892 S**

(45) **Date of Patent:** **** Feb. 22, 2011**

(54) **STORAGE UNIT**

(75) Inventors: **Kevin Zalewski**, Rochester Hills, MI (US); **David Foster**, Farmington Hills, MI (US); **Dirk Ahlgrim**, Cambridge, MA (US); **Jared Judson**, Medford, MA (US); **Monica Kuznik**, Padova (IT); **Samuel Palmer**, Arlington, MA (US); **Gretchen Wustrack**, San Francisco, CA (US)

(73) Assignee: **Target Brands, Inc.**, Minneapolis, MN (US)

(**) Term: **14 Years**

(21) Appl. No.: **29/368,567**

(22) Filed: **Aug. 25, 2010**

Related U.S. Application Data

(62) Division of application No. 29/333,915, filed on Mar. 17, 2009, now Pat. No. Des. 622,959.

(51) **LOC (9) Cl.** **03-01**

(52) **U.S. Cl.** **D3/273**

(58) **Field of Classification Search** D3/272, D3/273, 283, 302, 304-315, 319, 320, 335, D3/336, 396; D6/397, 449, 475, 476, 510; D9/414, 418, 499, 432, 433; D19/90; 206/515, 206/527, 784, 815; 220/9.1, 9.3, 62, 475, 220/639, 641, 646, 647, 890, 913; 229/100, 229/117.01, 117.07, 120, 120.1
See application file for complete search history.

(56) **References Cited**

U.S. PATENT DOCUMENTS

1,076,116 A	10/1913	Hatfield
1,694,487 A	12/1928	Ringer
1,799,831 A	4/1931	Pauls
D158,479 S	5/1950	Long
D197,311 S	1/1964	Spaak
3,254,440 A	6/1966	Duggar

3,506,321 A	4/1970	Hampel
3,563,624 A	2/1971	Stice
D225,815 S	1/1973	Torrey
3,743,372 A	7/1973	Ruggerone
3,822,924 A	7/1974	Lust
D232,812 S	9/1974	Ogle
D238,051 S	12/1975	Fier, Jr.
4,047,773 A	9/1977	Semany
D246,872 S	1/1978	White
D251,480 S	4/1979	Cherry
D256,196 S	8/1980	Kates
D268,622 S	4/1983	Wolters et al.

(Continued)

Primary Examiner—Robert M Spear
Assistant Examiner—Barbara B Lohr
(74) *Attorney, Agent, or Firm*—Griffiths & Seaton PLLC

(57) **CLAIM**

The ornamental design for a storage unit, as shown and described.

DESCRIPTION

The present application also is related to pending U.S. Utility patent application Ser. No. 11/851,165, filed Sep. 6, 2007; pending U.S. Utility application Ser. No. 12/554,028, filed Sep. 4, 2009; and pending U.S. Utility application Ser. No. 12/554,034, filed Sep. 4, 2009; all of which are incorporated by reference.

FIG. 1 is a perspective view of a storage unit, according to the invention;

FIG. 2 is a front view thereof;

FIG. 3 is a back view thereof;

FIG. 4 is a top view thereof;

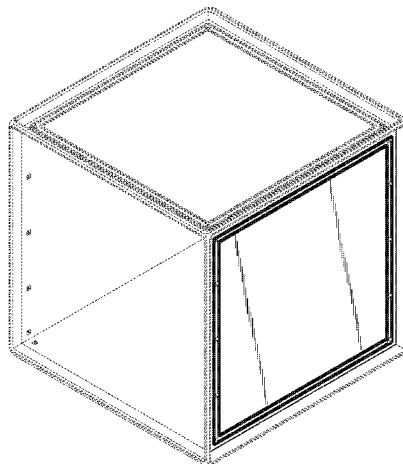
FIG. 5 is a bottom view thereof;

FIG. 6 is a right view thereof; and,

FIG. 7 is a left side view thereof.

The broken lines in the drawings represent unclaimed environmental matter.

1 Claim, 7 Drawing Sheets



US D632,892 S

Page 2

U.S. PATENT DOCUMENTS

4,707,038 A	11/1987	Voegeli	D421,678 S	3/2000	Levy	
4,717,214 A	1/1988	Moore et al.	D427,769 S	7/2000	Zimmerman	
4,742,931 A	5/1988	Bennett	6,113,203 A	9/2000	Chen	
4,782,637 A	11/1988	Eriksson et al.	D431,907 S	10/2000	Andujar et al.	
4,863,222 A	9/1989	Posso	D437,706 S *	2/2001	Alcala et al.	D6/397
D323,296 S	1/1992	Schoenthaler	6,209,976 B1	4/2001	Shear	
D326,345 S	5/1992	Mandell et al.	D454,454 S *	3/2002	Hamilton et al.	D6/510
5,119,610 A	6/1992	Birkeland et al.	6,352,323 B1	3/2002	Rives	
5,147,120 A	9/1992	Ray	D455,292 S *	4/2002	Hardy et al.	D6/449
D330,161 S	10/1992	Schuh	6,488,346 B2	12/2002	Chen	
5,176,435 A	1/1993	Pipkens	6,508,021 B2	1/2003	Ong	
D349,646 S	8/1994	Dickinson	6,536,856 B2	3/2003	Pelizzari et al.	
5,357,728 A	10/1994	Duncanson	6,557,955 B2	5/2003	Saravis	
D360,898 S	8/1995	Huerto et al.	6,698,853 B2	3/2004	Chen et al.	
D361,203 S *	8/1995	Regnier D3/273	D495,248 S	8/2004	Krebs et al.	
5,464,295 A	11/1995	Dailot	6,820,950 B1	11/2004	Sun	
5,466,058 A	11/1995	Chan	6,848,758 B1	2/2005	Yeh et al.	
5,477,594 A	12/1995	LePage	6,938,966 B1	9/2005	Rouwhorst	
5,486,041 A	1/1996	Sykes	6,942,306 B2	9/2005	Youngs et al.	
5,492,399 A	2/1996	Tillack	RE38,836 E	10/2005	Krause et al.	
5,497,888 A	3/1996	Michaels et al.	6,962,262 B2	11/2005	Toma	
D376,259 S	12/1996	Dickinson et al.	6,971,529 B1	12/2005	Shapiro	
5,584,412 A	12/1996	Wang	6,991,115 B2	1/2006	Chow et al.	
5,588,726 A	12/1996	Lee	7,048,346 B2	5/2006	Saravis	
5,647,649 A	7/1997	Kao	D540,039 S	4/2007	van Beuningen	
5,680,744 A	10/1997	Kramedjian et al.	7,231,740 B2	6/2007	Jirele	
D387,559 S	12/1997	Williamson	7,507,136 B2	3/2009	Patton	
5,716,116 A	2/1998	Carlson et al.	D594,657 S *	6/2009	McAlpine D3/273	
5,720,547 A	2/1998	Baird	7,588,162 B2	9/2009	Dube et al.	
5,775,046 A	7/1998	Fanger et al.	D622,959 S *	9/2010	Zalewski et al. D3/273	
D404,571 S	1/1999	Evans	2002/0093272 A1	7/2002	Saravis	
5,902,025 A	5/1999	Yu	2005/0088068 A1	4/2005	Chang	
5,913,580 A	6/1999	Liu	2005/0168116 A1	8/2005	Chuang	
5,921,646 A	7/1999	Hwang	2006/0244348 A1	11/2006	Richied et al.	
5,941,616 A	8/1999	Billingham	2008/0011697 A1	1/2008	Berg	
6,024,626 A	2/2000	Mendelsohn	2008/0017596 A1	1/2008	Brock	

* cited by examiner

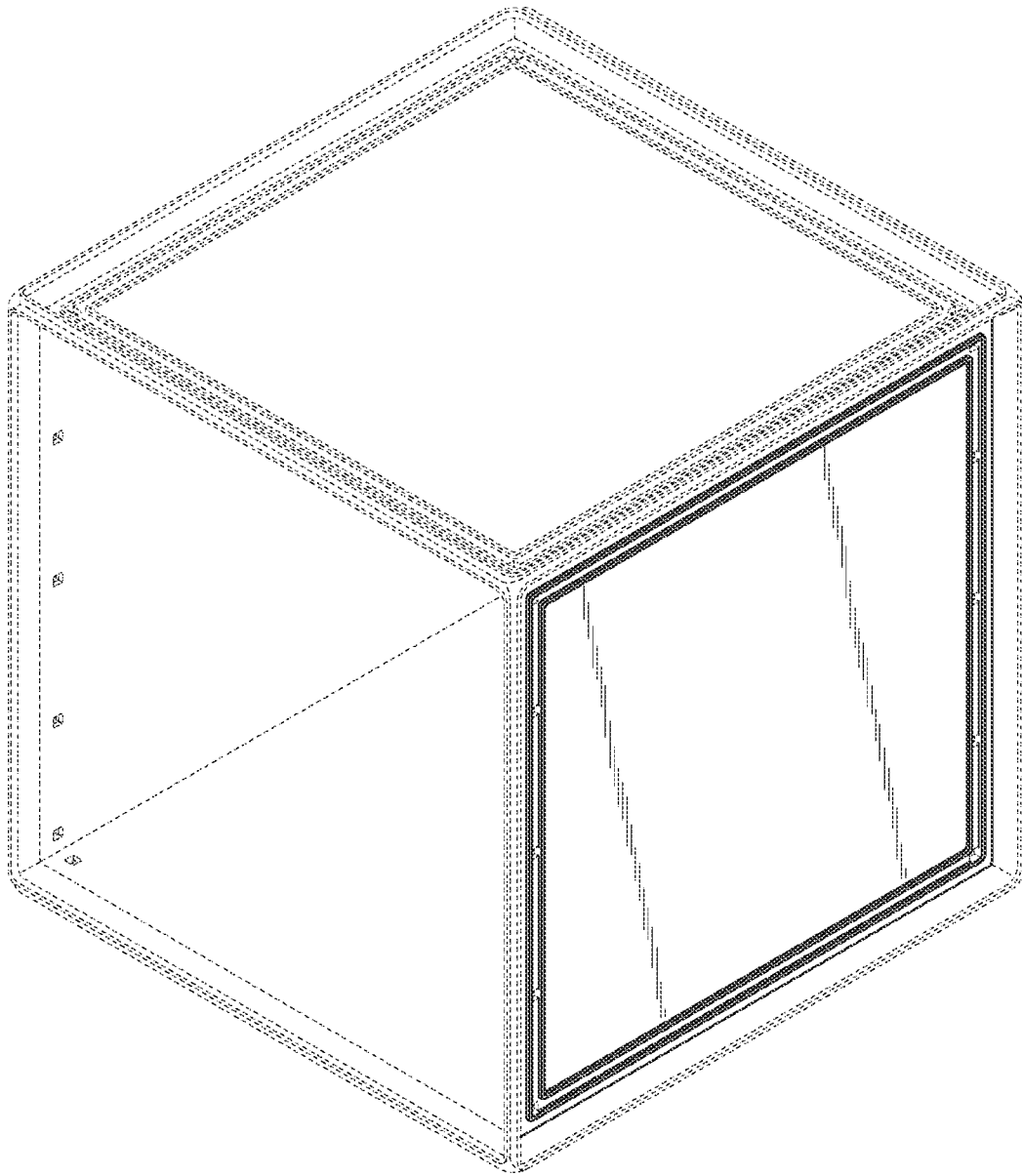


Fig. 1

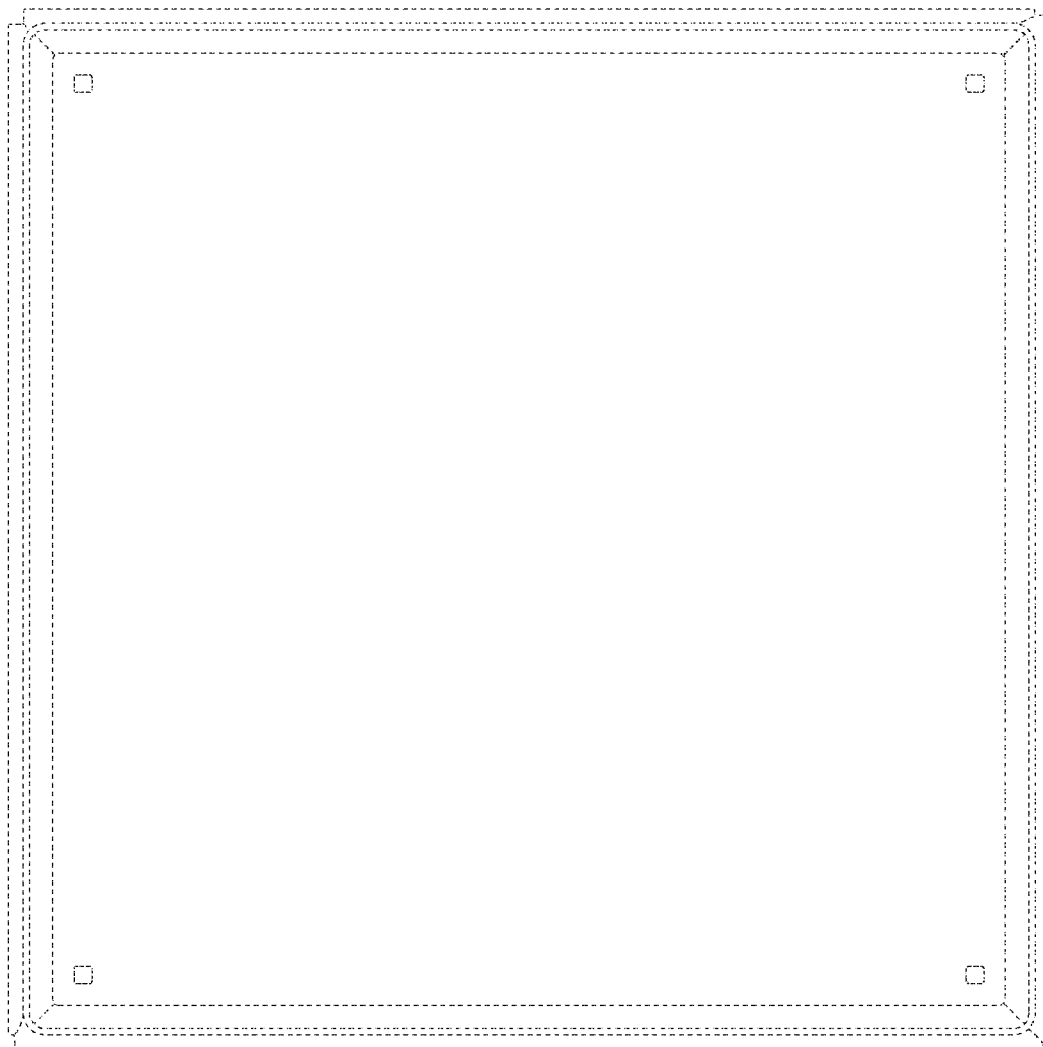


Fig. 2

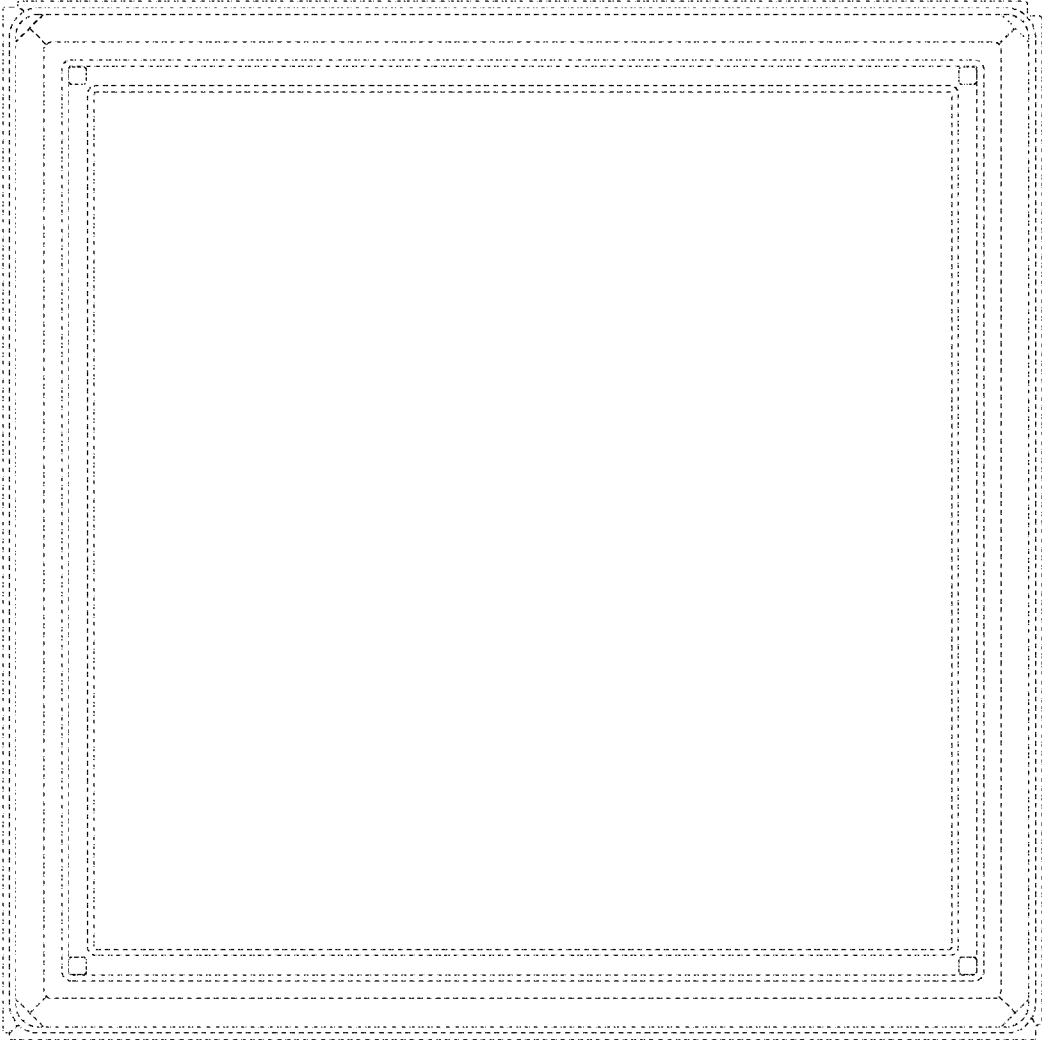


Fig. 3

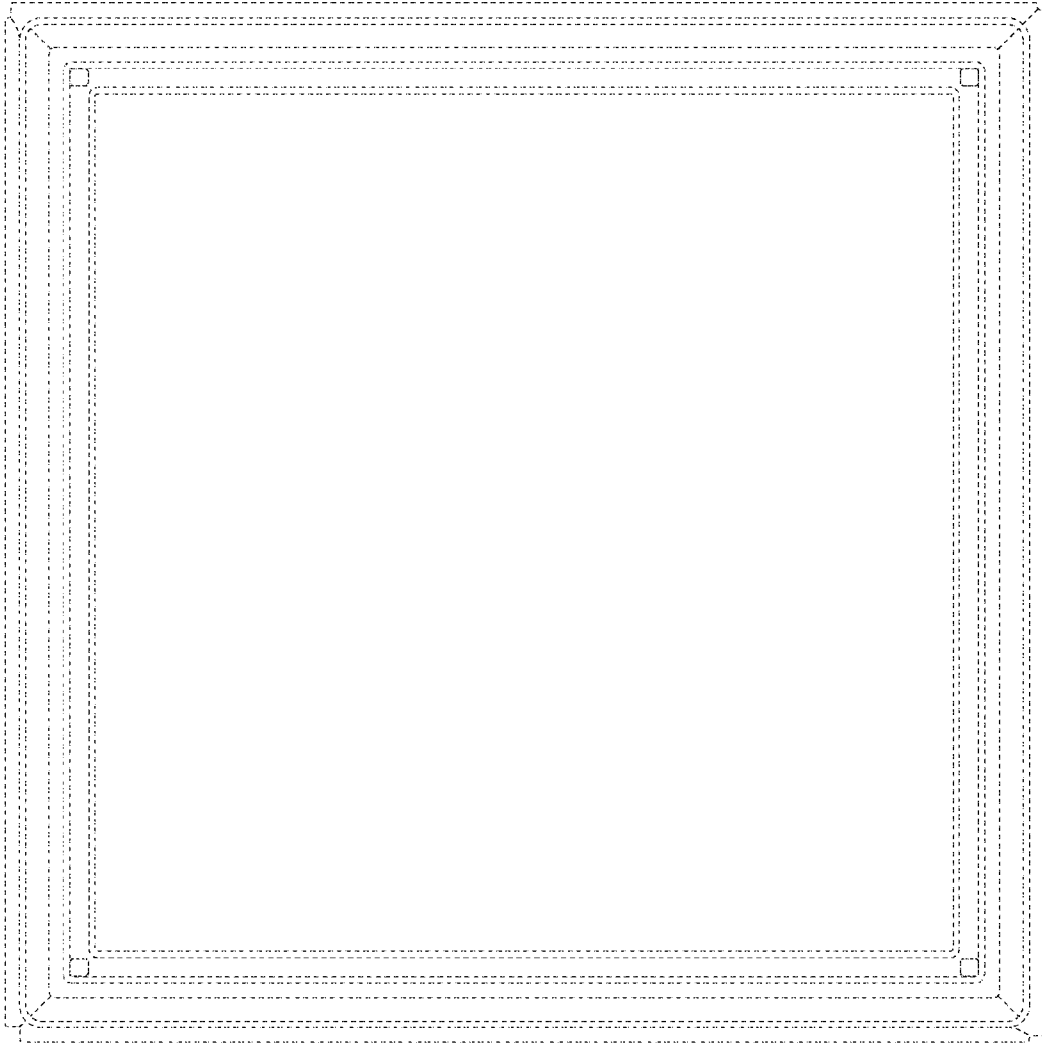


Fig. 4

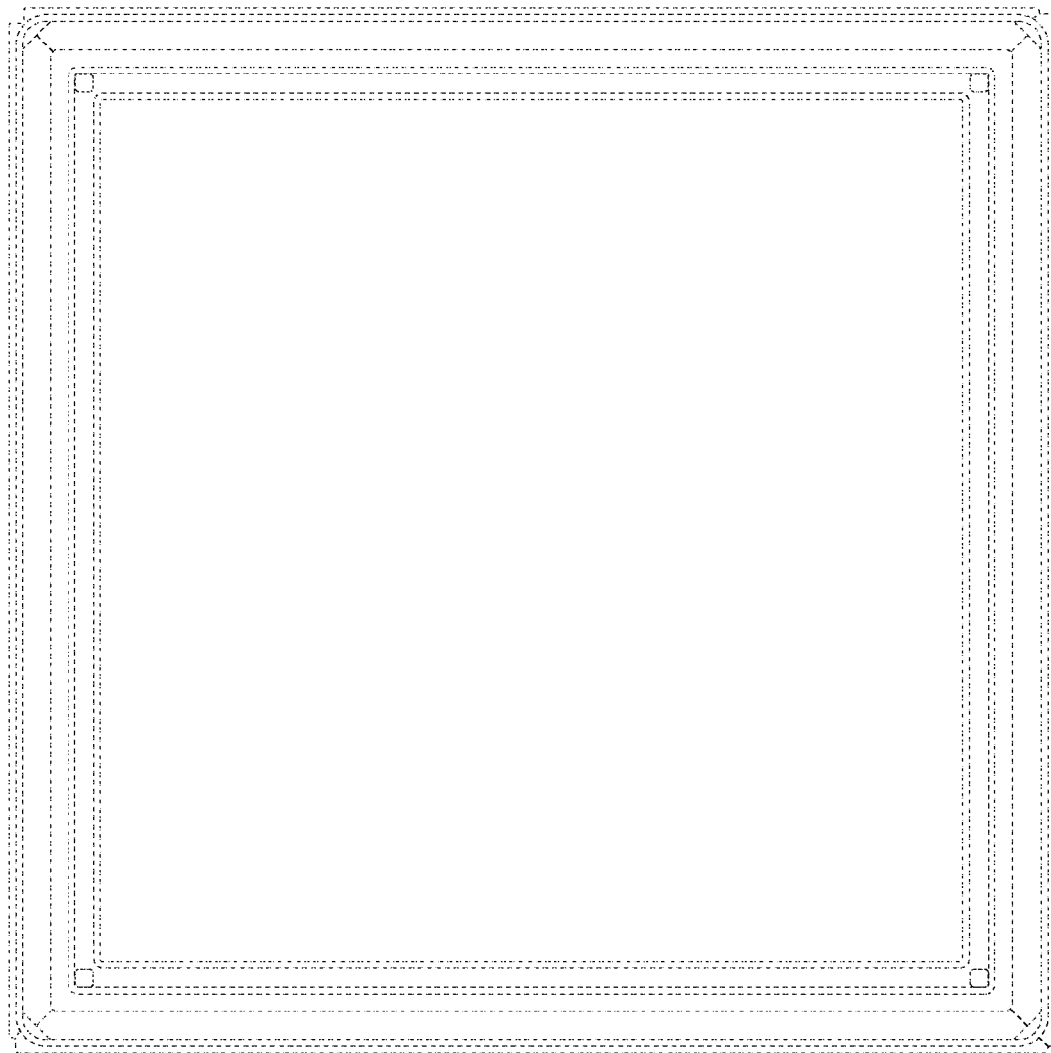


Fig. 5

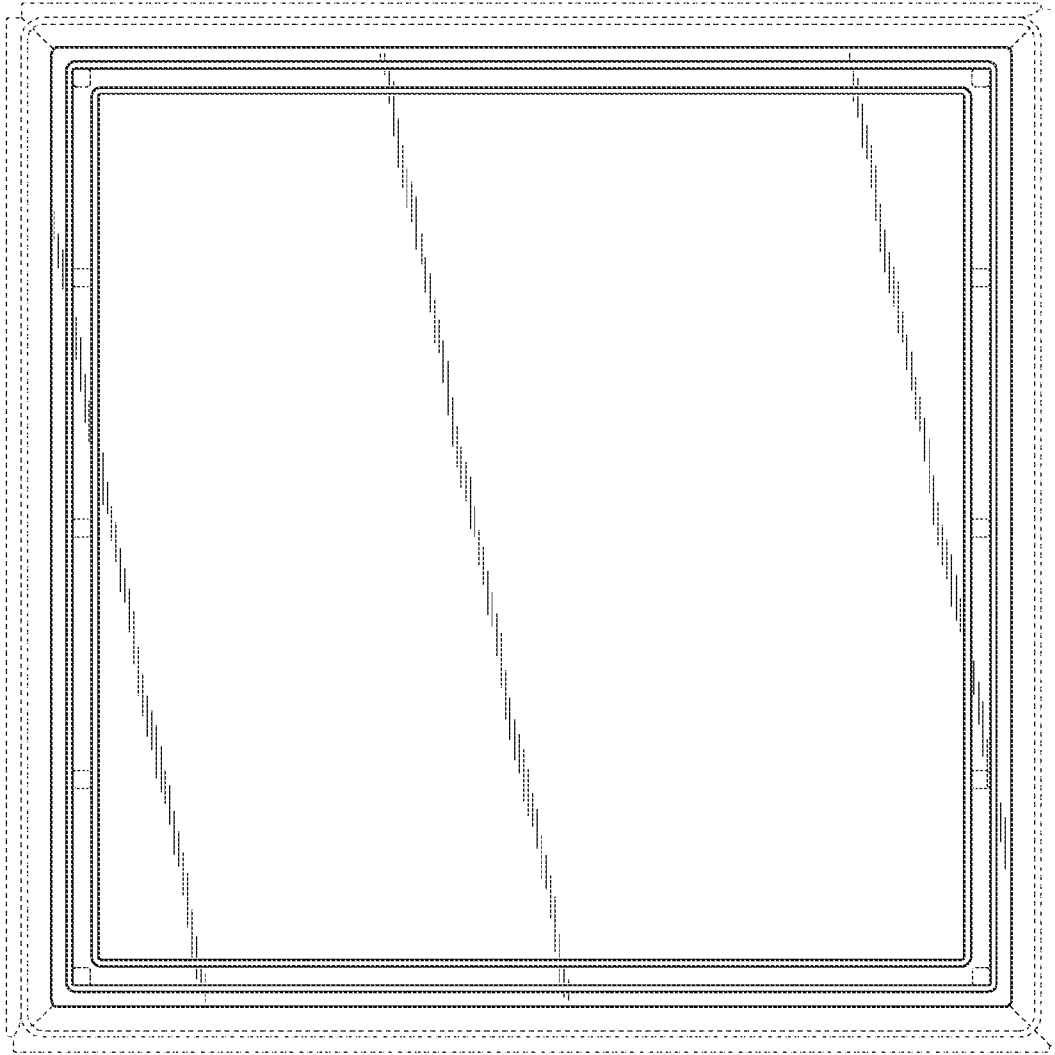


Fig. 6

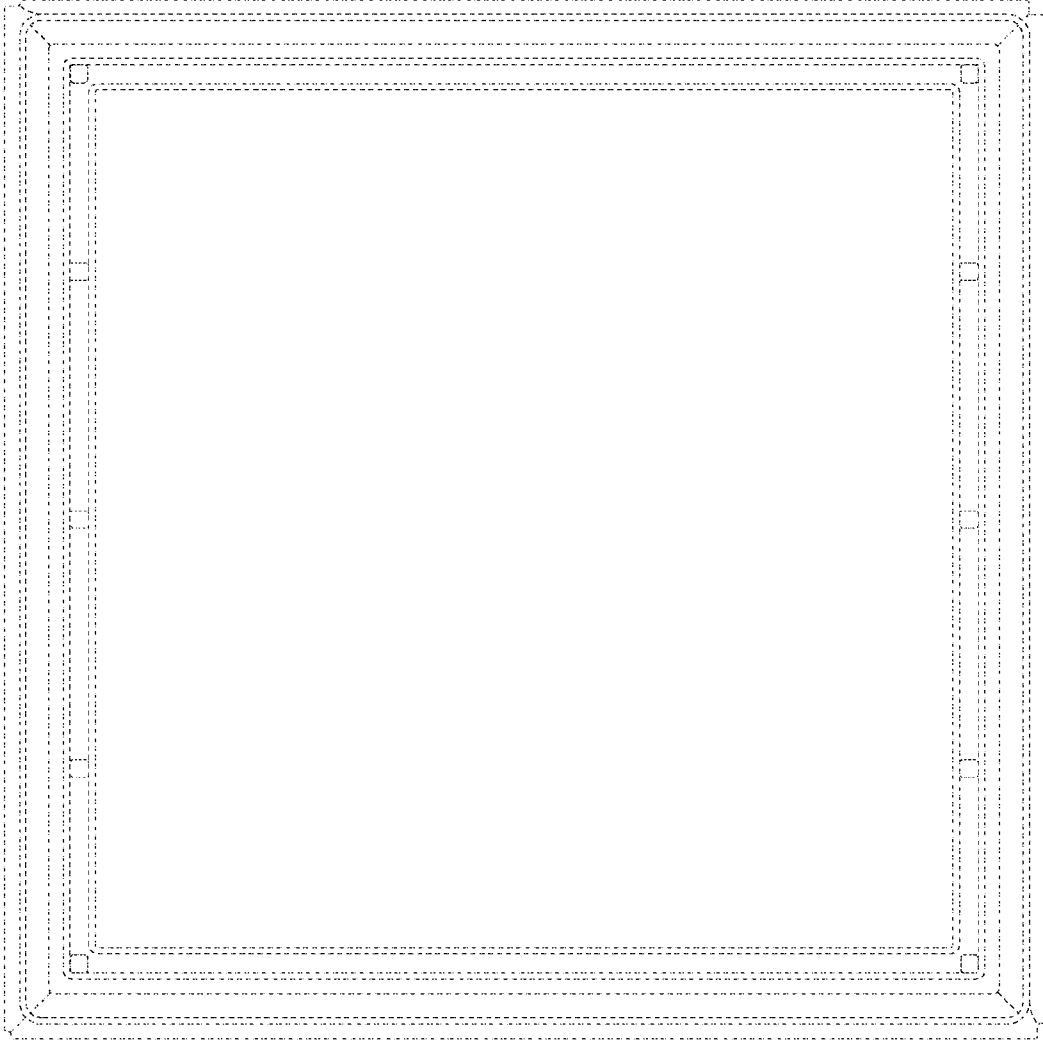


Fig. 7