

- [54] **CORD LOCK**
- [75] Inventor: **Rudolph E. Muench, Shelby, N.C.**
- [73] Assignee: **Fasco Controls Corporation, Shelby, N.C.**
- [**] Term: **14 Years**
- [21] Appl. No.: **309,243**
- [22] Filed: **Oct. 7, 1981**
- [51] Int. Cl. **D8-08**
- [52] U.S. Cl. **D8/356; D8/396**
- [58] Field of Search **D8/396, 395, 394, 357, D8/356, 387, 388; 24/248 R, 339; 248/68 R, 74.7, 74.1, 74 R, 74 PB, 71, 73**

3,705,586 12/1972 Saeracino 24/248 R X
 3,896,527 7/1975 Millen et al. 24/248 R

FOREIGN PATENT DOCUMENTS

582212 10/1924 France 24/498

OTHER PUBLICATIONS

Engineering Design Manual, Bulletin, 212 G; p. 52, TA Line Support.

Primary Examiner—Wallace R. Burke
Assistant Examiner—Horace B. Fay
Attorney, Agent, or Firm—Shlesinger, Fitzsimmons & Shlesinger

CLAIM

[57] The ornamental design for a cord lock, substantially as shown and described.

DESCRIPTION

FIG. 1 is a top plan view of a cord lock showing my new design;
 FIG. 2 is a front elevational view thereof;
 FIG. 3 is a bottom plan view thereof;
 FIG. 4 is a rear elevational view thereof; and
 FIG. 5 is a left side elevational view thereof.

- [56] **References Cited**
- U.S. PATENT DOCUMENTS**
- D. 258,865 4/1981 McAllister D8/395
- 2,472,986 6/1941 Reder, Jr. 24/248 R X
- 2,686,520 8/1954 Darvis et al. 24/248 R X
- 2,775,013 12/1956 Pedrere 24/248 R
- 3,096,551 7/1963 Shoberg D8/395 X
- 3,412,739 11/1968 Thatcher 24/248 R X

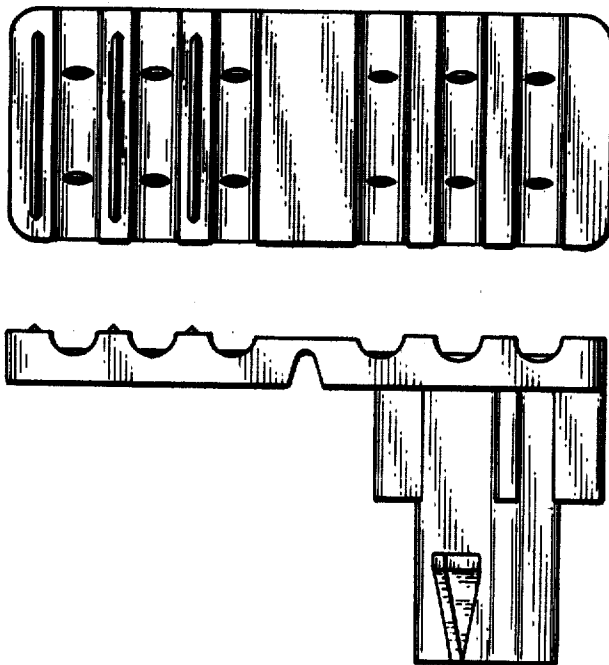


FIG. 1



FIG. 2

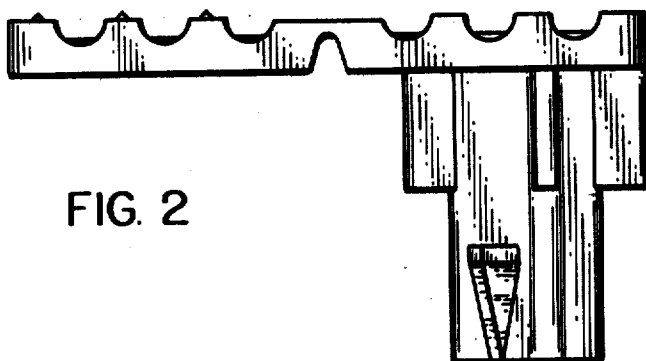


FIG. 3

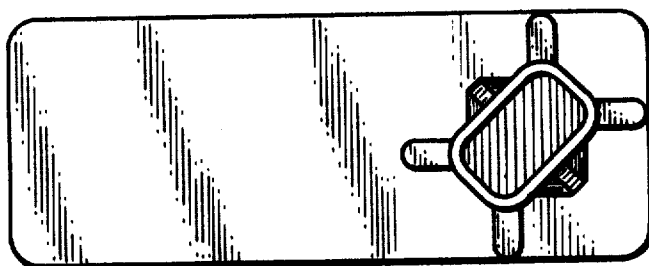


FIG. 4

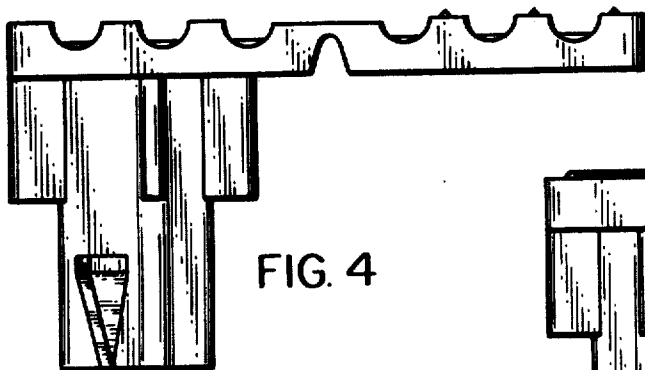


FIG. 5

