



US00D792666S

(12) **United States Design Patent**  
**Brown et al.**

(10) **Patent No.:** **US D792,666 S**

(45) **Date of Patent:** **\*\* Jul. 18, 2017**

(54) **POLISHER**

(71) Applicant: **Griot's Garage, Inc.**, Tacoma, WA (US)

(72) Inventors: **Jeffrey L. Brown**, Savage, MN (US);  
**Richard L. Griot**, Tacoma, WA (US)

(73) Assignee: **Griot's Garage, Inc.**, Tacoma, WA (US)

(\*\*) Term: **14 Years**

(21) Appl. No.: **29/501,870**

(22) Filed: **Sep. 9, 2014**

(51) **LOC (10) Cl.** ..... **15-05**

(52) **U.S. Cl.**  
USPC ..... **D32/19**

(58) **Field of Classification Search**  
USPC ... D32/1, 15, 16, 17, 19, 20, 21, 22, 18, 25,  
D32/31; D4/102, 100, 127, 129; D8/61,  
D8/62

CPC ..... B24B 29/00; B24B 29/005; B24B 31/003;  
B08B 9/023

See application file for complete search history.

(56) **References Cited**

**U.S. PATENT DOCUMENTS**

4,102,084	A *	7/1978	Bloomquist	.....	B24B 23/03	451/295
D273,173	S *	3/1984	Poon	.....	D8/62	
D338,754	S *	8/1993	Skrzypek	.....	D32/19	
D353,310	S *	12/1994	Izumisawa	.....	D8/62	
D377,892	S *	2/1997	Sung	.....	D8/62	

D381,248	S *	7/1997	Sung	.....	D8/62
D392,778	S *	3/1998	McCracken	.....	D32/19
D443,397	S *	6/2001	Williams	.....	D32/19
6,342,002	B1 *	1/2002	Wang	.....	B24B 23/02
					451/344
D471,329	S *	3/2003	Heun	.....	D32/15
D475,489	S *	6/2003	McLelland	.....	D32/15
D511,953	S *	11/2005	Janson	.....	D8/62
D525,752	S *	7/2006	Bakker	.....	D32/19
D526,869	S *	8/2006	Heun	.....	D8/62
D546,155	S *	7/2007	Wu	.....	D8/67
D569,056	S *	5/2008	Zhu	.....	D32/15
9,387,578	B2 *	7/2016	Kuehne	.....	B25F 5/02

\* cited by examiner

*Primary Examiner* — Michael A. Pratt

*Assistant Examiner* — Michelle E Wilson

(74) *Attorney, Agent, or Firm* — George C. Rondeau, Jr.;  
Davis Wright Tremaine LLP

(57) **CLAIM**

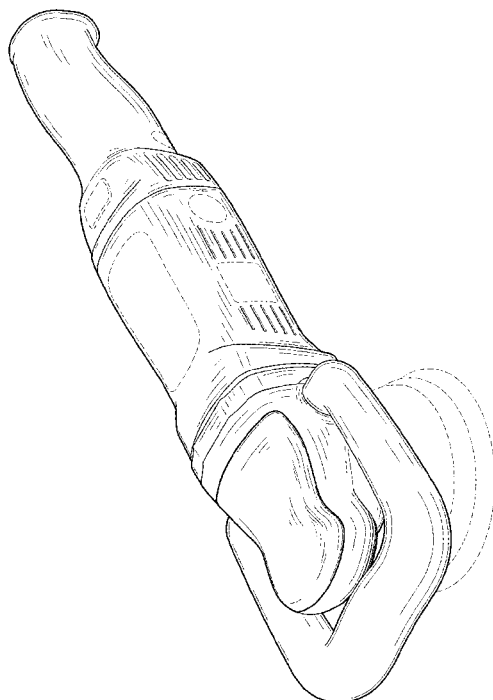
The ornamental design for a polisher, as shown and described.

**DESCRIPTION**

FIG. 1 is a top perspective view thereof;  
FIG. 2 is a left side elevational view thereof;  
FIG. 3 is a top plan view thereof;  
FIG. 4 is a right side elevational view thereof;  
FIG. 5 is a bottom plan view thereof;  
FIG. 6 is a front elevational view thereof; and,  
FIG. 7 is a rear elevational view thereof.

The broken lines represent portions of the polisher that form no part of the claim.

**1 Claim, 6 Drawing Sheets**



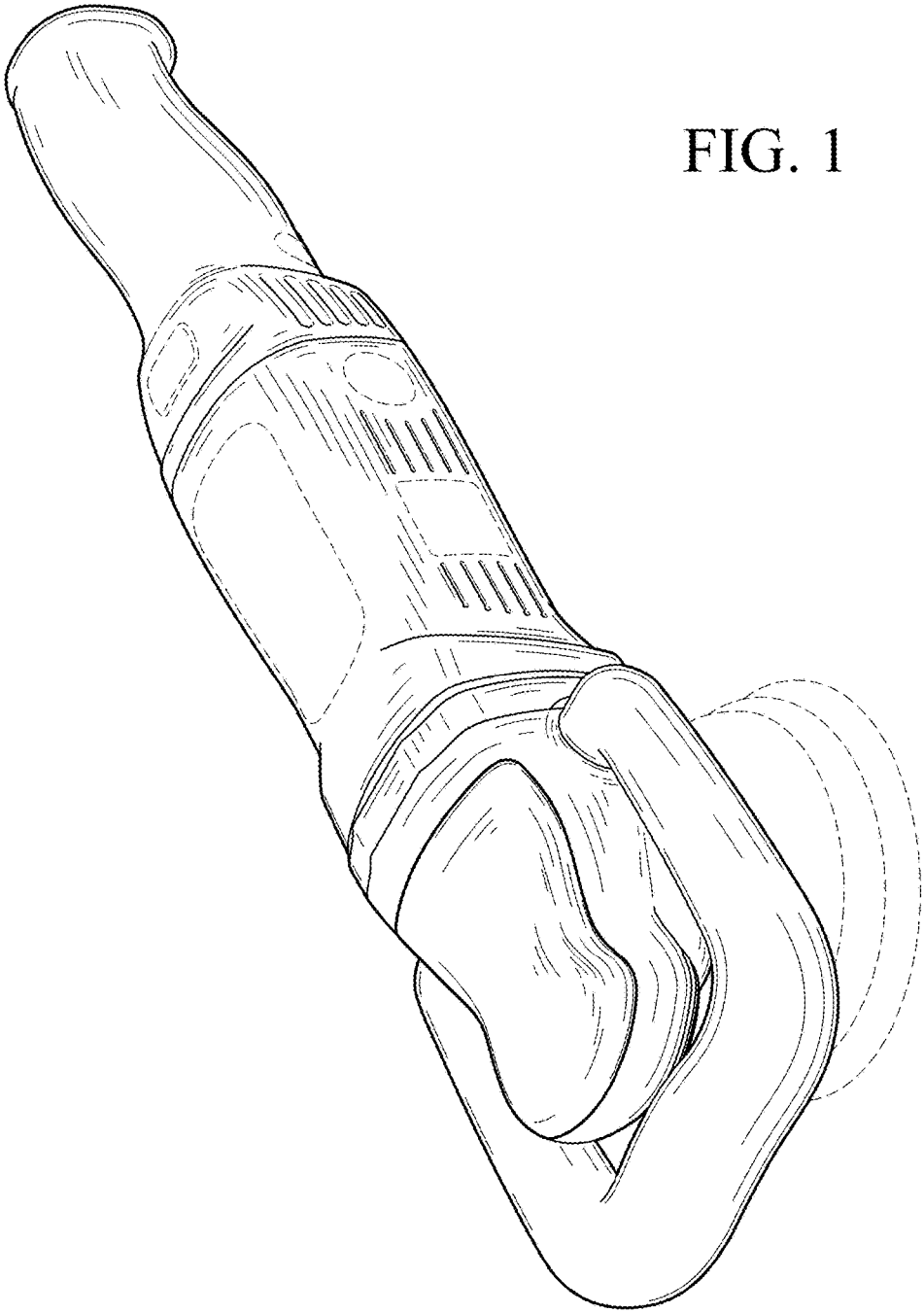


FIG. 1

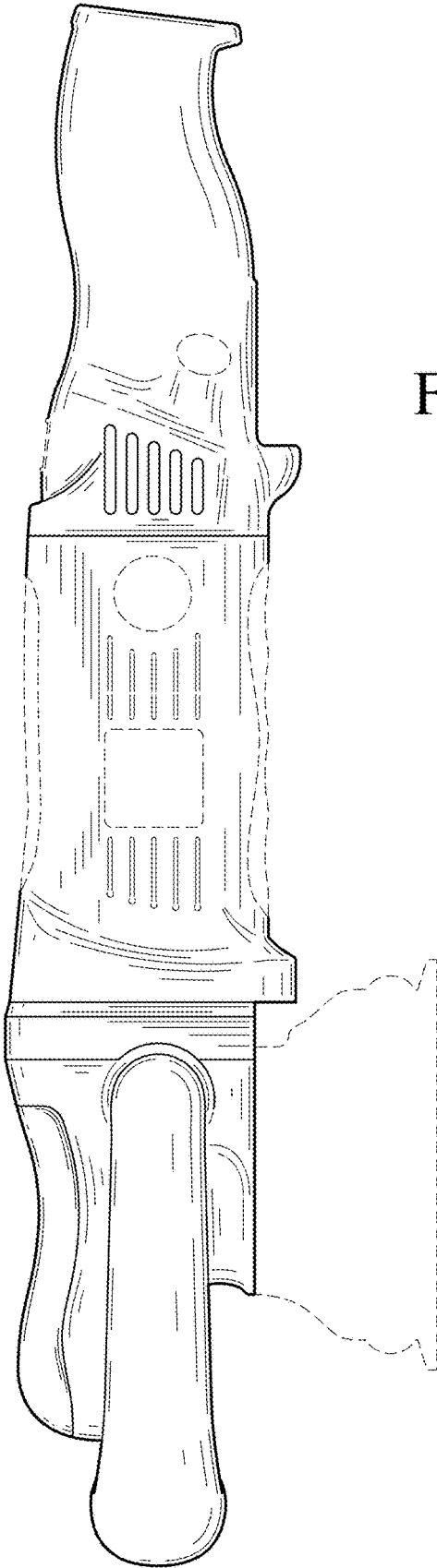


FIG. 2

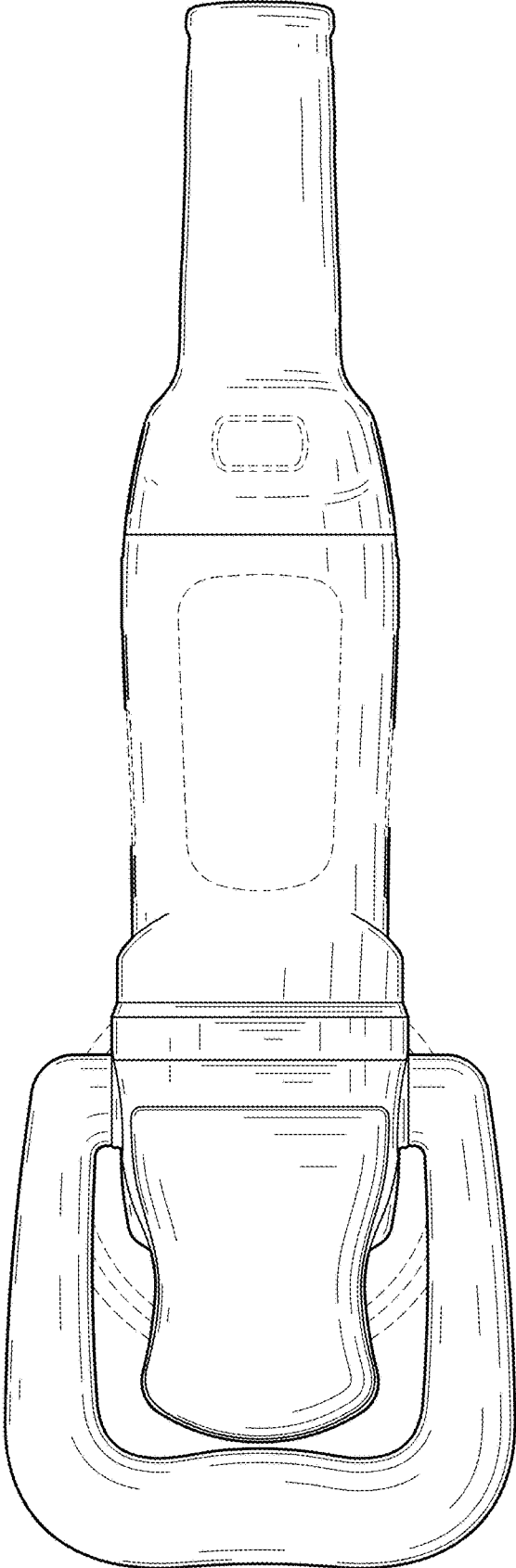


FIG. 3

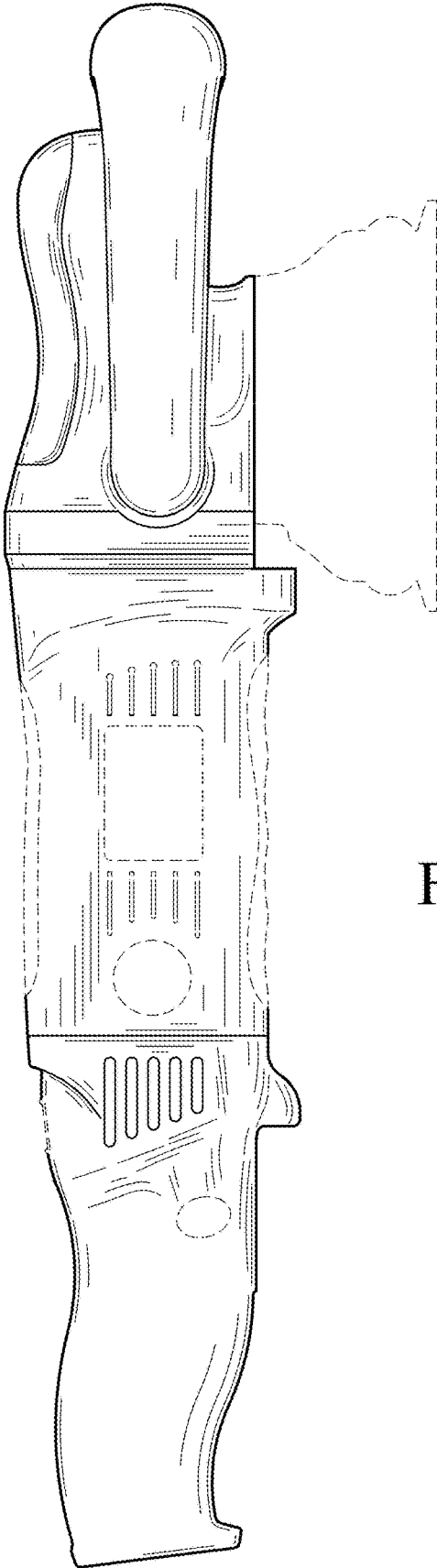


FIG. 4

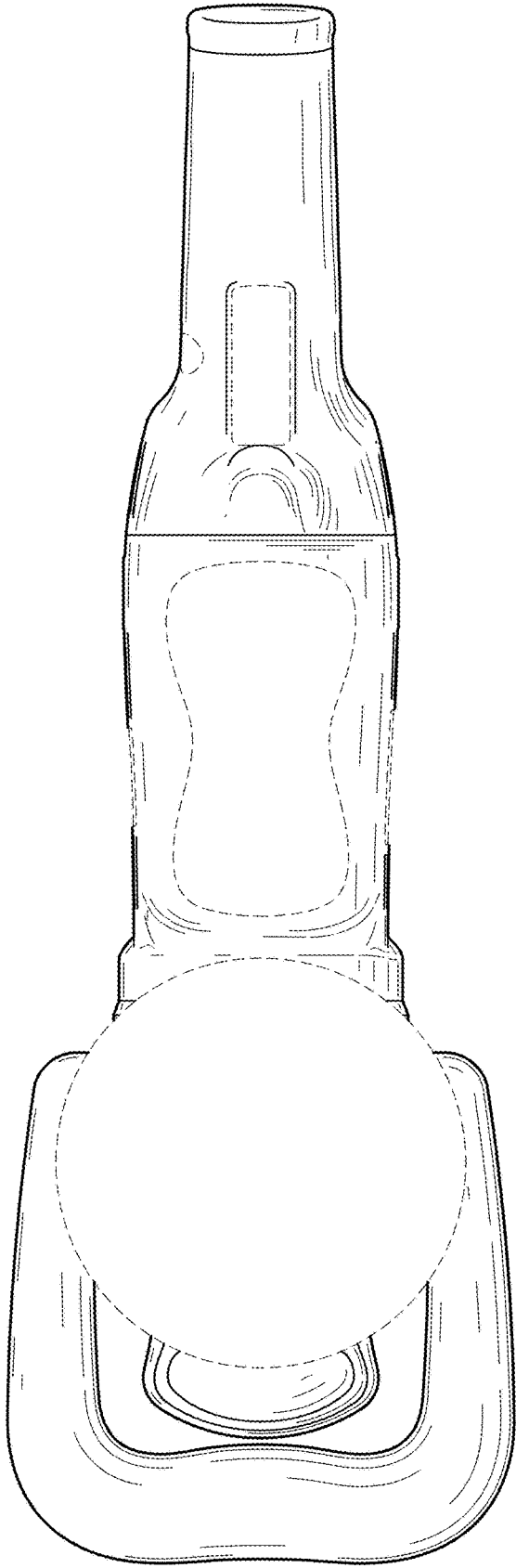


FIG. 5

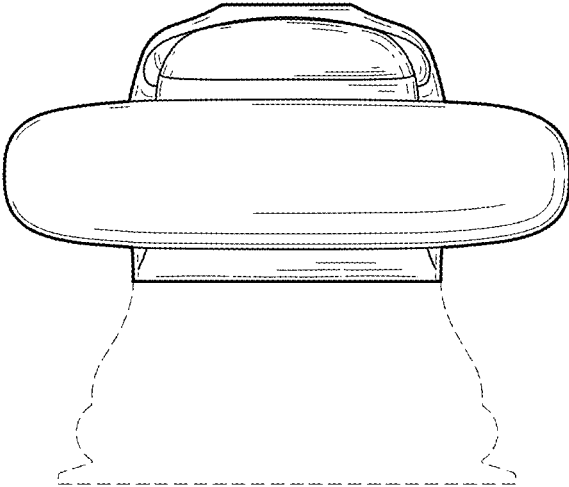


FIG. 6

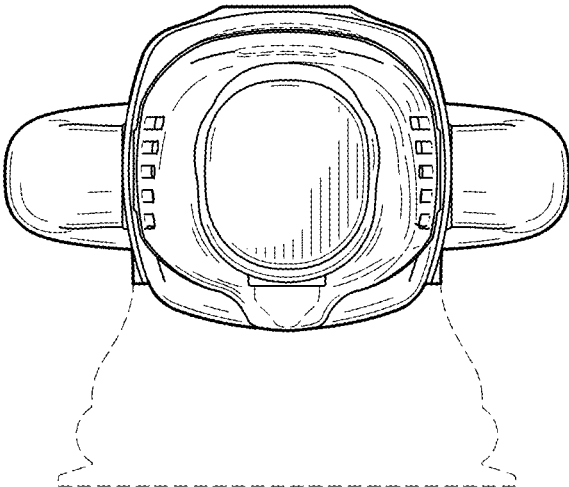


FIG. 7