



- (51) International Patent Classification:
F27B 3/08 (2006.01) F27B 3/18 (2006.01)
C21C 5/52 (2006.01)
- (21) International Application Number: PCT/IB2014/060942
- (22) International Filing Date: 23 April 2014 (23.04.2014)
- (25) Filing Language: English
- (26) Publication Language: English
- (30) Priority Data: UD2013A000052 23 April 2013 (23.04.2013) IT
- (71) Applicant: DANIELI & C. OFFICINE MECCANICHE SPA [IT/IT]; Via Nazionale, 41, I-33042 Buttrio (IT).
- (72) Inventors: VILLEMIN, Bernard; Kochmattstrasse, 29B, CH-5445 Eggenwil (CH). WILHELM, Uwe; Ulmenweg 26, 77731 Willstätt (DE). NARHOLZ, Thomas; Laendischstrasse, 86, CH-8706 Feldmeilen (CH). RIGA, Enrico; Via Luino, 56, I-33100 Udine (IT).
- (74) Agents: PETRAZ, Davide Luigi et al.; GLP SRL, Viale Europa Unita, 171, I-33100 Udine (IT).
- (81) Designated States (unless otherwise indicated, for every kind of national protection available): AE, AG, AL, AM,

AO, AT, AU, AZ, BA, BB, BG, BH, BN, BR, BW, BY, BZ, CA, CH, CL, CN, CO, CR, CU, CZ, DE, DK, DM, DO, DZ, EC, EE, EG, ES, FI, GB, GD, GE, GH, GM, GT, HN, HR, HU, ID, IL, IN, IR, IS, JP, KE, KG, KN, KP, KR, KZ, LA, LC, LK, LR, LS, LT, LU, LY, MA, MD, ME, MG, MK, MN, MW, MX, MY, MZ, NA, NG, NI, NO, NZ, OM, PA, PE, PG, PH, PL, PT, QA, RO, RS, RU, RW, SA, SC, SD, SE, SG, SK, SL, SM, ST, SV, SY, TH, TJ, TM, TN, TR, TT, TZ, UA, UG, US, UZ, VC, VN, ZA, ZM, ZW.

- (84) Designated States (unless otherwise indicated, for every kind of regional protection available): ARIPO (BW, GH, GM, KE, LR, LS, MW, MZ, NA, RW, SD, SL, SZ, TZ, UG, ZM, ZW), Eurasian (AM, AZ, BY, KG, KZ, RU, TJ, TM), European (AL, AT, BE, BG, CH, CY, CZ, DE, DK, EE, ES, FI, FR, GB, GR, HR, HU, IE, IS, IT, LT, LU, LV, MC, MK, MT, NL, NO, PL, PT, RO, RS, SE, SI, SK, SM, TR), OAPI (BF, BJ, CF, CG, CI, CM, GA, GN, GQ, GW, KM, ML, MR, NE, SN, TD, TG).

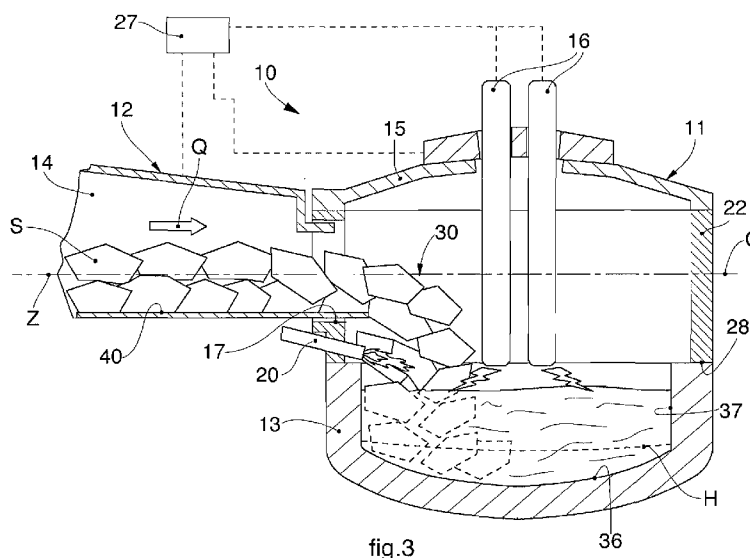
Published:

— with international search report (Art. 21(3))

(88) Date of publication of the international search report:

26 February 2015

(54) Title: METHOD FOR MELTING METAL MATERIAL IN A MELTING PLANT AND RELATIVE MELTING PLANT



(57) Abstract: Method for melting metal material (S) in a melting plant comprising at least an electric furnace (11) having at least a shell (13) into which said metal material is introduced, and feed means (12) to load said metal material (S) into said shell (13), said method comprising at least a step of loading said metal material (S) into said shell (13) by means of said feed means (12), a melting step in which said metal material (S) is melted, and a subsequent tapping step in which the molten metal material is tapped.



INTERNATIONAL SEARCH REPORT

International application No
PCT/IB2014/060942

A. CLASSIFICATION OF SUBJECT MATTER
INV. F27B3/08 C21C5/52 F27B3/18
ADD.

According to International Patent Classification (IPC) or to both national classification and IPC

B. FIELDS SEARCHED

Minimum documentation searched (classification system followed by classification symbols)
F27B C21C F27D

Documentation searched other than minimum documentation to the extent that such documents are included in the fields searched

Electronic data base consulted during the international search (name of data base and, where practicable, search terms used)

EPO-Internal, WPI Data

C. DOCUMENTS CONSIDERED TO BE RELEVANT

Category*	Citation of document, with indication, where appropriate, of the relevant passages	Relevant to claim No.
X	US 5 654 976 A (COWX PETER [NO] ET AL) 5 August 1997 (1997-08-05)	1,10
Y	column 4, line 20 - column 5, line 10; claim 1; figure 1	2-9,11, 12
X	----- US 6 693 948 B2 (MIZUKAMI HIDEAKI [JP] ET AL) 17 February 2004 (2004-02-17) column 8, line 46 - column 9, line 38; figures 3, 11-21, 23 column 16, line 55 - column 17, line 39; claims 1,7	1,10
X	----- US 2002/005083 A1 (DIMITROV STEFAN [AT] ET AL) 17 January 2002 (2002-01-17) claims 1-9; figures 1-9 ----- -/--	1,10

Further documents are listed in the continuation of Box C.

See patent family annex.

* Special categories of cited documents :

"A" document defining the general state of the art which is not considered to be of particular relevance

"E" earlier application or patent but published on or after the international filing date

"L" document which may throw doubts on priority claim(s) or which is cited to establish the publication date of another citation or other special reason (as specified)

"O" document referring to an oral disclosure, use, exhibition or other means

"P" document published prior to the international filing date but later than the priority date claimed

"T" later document published after the international filing date or priority date and not in conflict with the application but cited to understand the principle or theory underlying the invention

"X" document of particular relevance; the claimed invention cannot be considered novel or cannot be considered to involve an inventive step when the document is taken alone

"Y" document of particular relevance; the claimed invention cannot be considered to involve an inventive step when the document is combined with one or more other such documents, such combination being obvious to a person skilled in the art

"&" document member of the same patent family

Date of the actual completion of the international search 10 November 2014	Date of mailing of the international search report 17/11/2014
---	--

Name and mailing address of the ISA/ European Patent Office, P.B. 5818 Patentlaan 2 NL - 2280 HV Rijswijk Tel. (+31-70) 340-2040, Fax: (+31-70) 340-3016	Authorized officer Gavriliu, Alexandru
--	---

INTERNATIONAL SEARCH REPORT

International application No
PCT/IB2014/060942

C(Continuation). DOCUMENTS CONSIDERED TO BE RELEVANT		
Category*	Citation of document, with indication, where appropriate, of the relevant passages	Relevant to claim No.
X	US 6 155 333 A (VALLOMY JOHN A [US]) 5 December 2000 (2000-12-05)	10
Y	column 6, line 51 - column 8, line 4; claim 1; figures 1-5	2-9,11, 12
X	----- WO 03/095685 A1 (SMS DEMAG AG [DE]; STERCHO MICHAEL J [US]) 20 November 2003 (2003-11-20) page 10, line 15 - page 11, line 3; claims 1-6; figure 1	10
X	----- US 5 513 206 A (MORI MOTOHARU [JP] ET AL) 30 April 1996 (1996-04-30)	10
Y	column 6, line 24 - line 34; figures 5,6,9,10,11, column 8, line 57 - column 9, line 11; claims 1, 12	2-9,11, 12
A	----- US 6 024 912 A (WUNSCH ROBERT R [CA]) 15 February 2000 (2000-02-15) the whole document	1-12
A	----- MATHY C ET AL: "NEW MEANS FOR CONTROLLING THE SCRAP MIX CHARGED IN THE EAF AND ITS MELTING PROGRESS//NOUVELLES TECHNIQUES DE CONTROLE DU CHARGEMENT DE MITRAILLES AU FOUR ELECTRIQUE ET DU SUIVI DE LA FUSION", REVUE DE METALLURGIE - CAHIERS D'INFORMATIONS TECHNIQUES, REVUE DE METALLURGIE. PARIS, FR, vol. 99, no. 6, 1 June 2002 (2002-06-01), pages 499-507, XP001164090, ISSN: 0035-1563, DOI: 10.1051/METAL:2002131 the whole document	1-12

INTERNATIONAL SEARCH REPORT

Information on patent family members

International application No
PCT/IB2014/060942

Patent document cited in search report	Publication date	Patent family member(s)	Publication date
US 5654976	A	05-08-1997	NONE

US 6693948	B2	17-02-2004	EP 1114973 A1 11-07-2001
			US 2002009118 A1 24-01-2002
			US 2003193986 A1 16-10-2003
			WO 0104559 A1 18-01-2001

US 2002005083	A1	17-01-2002	AT 404942 B 25-03-1999
			BR 9806107 A 31-08-1999
			CA 2264665 A1 07-01-1999
			CN 1236398 A 24-11-1999
			EP 0946761 A1 06-10-1999
			JP 2001500243 A 09-01-2001
			RU 2205878 C2 10-06-2003
			US 6264883 B1 24-07-2001
			US 2002005083 A1 17-01-2002
			WO 9900522 A1 07-01-1999
			ZA 9805594 A 25-01-1999

US 6155333	A	05-12-2000	AT 383445 T 15-01-2008
			AU 748255 B2 30-05-2002
			AU 3232400 A 14-09-2000
			BR 0008469 A 05-02-2002
			CA 2360306 A1 31-08-2000
			DE 60037725 T2 08-01-2009
			EP 1171639 A1 16-01-2002
			ES 2299421 T3 01-06-2008
			JP 2002538295 A 12-11-2002
			KR 100447536 B1 08-09-2004
			RU 2224027 C2 20-02-2004
			TR 200102471 T2 22-04-2002
			TW 518313 B 21-01-2003
			US 6155333 A 05-12-2000
			WO 0050648 A1 31-08-2000

WO 03095685	A1	20-11-2003	NONE

US 5513206	A	30-04-1996	AU 664950 B2 07-12-1995
			AU 6512894 A 08-11-1994
			CA 2135635 A1 27-10-1994
			CN 1104838 A 05-07-1995
			DE 69413169 D1 15-10-1998
			DE 69413169 T2 06-05-1999
			EP 0646758 A1 05-04-1995
			ES 2120618 T3 01-11-1998
			JP H07190629 A 28-07-1995
			US 5513206 A 30-04-1996
			WO 9424506 A1 27-10-1994

US 6024912	A	15-02-2000	NONE
