



US0D1006295S

(12) **United States Design Patent**
Ghasabi

(10) **Patent No.:** **US D1,006,295 S**

(45) **Date of Patent:** **** Nov. 28, 2023**

(54) **CLOSET LIGHT FIXTURE**

(71) Applicant: **Luminiz Inc.**, North York (CA)

(72) Inventor: **Amir Ghasabi**, Etobicoke (CA)

(73) Assignee: **Luminiz Inc.**, North York (CA)

(**) Term: **15 Years**

(21) Appl. No.: **29/805,411**

(22) Filed: **Aug. 26, 2021**

(51) **LOC (14) Cl.** **26-04**

(52) **U.S. Cl.**
USPC **D26/76**

(58) **Field of Classification Search**
USPC D26/24, 51, 72-80, 118, 120, 89
CPC F21Y 2103/00; F21S 8/04; F21S 8/033;
F21S 8/03; H05B 47/165; F21V 15/01
See application file for complete search history.

(56) **References Cited**

U.S. PATENT DOCUMENTS

D393,734 S *	4/1998	Casteel	D26/76
D434,167 S *	11/2000	Foster	D26/76
D491,687 S *	6/2004	Thornton, Jr.	D26/76
D496,123 S *	9/2004	Blackman	D26/76
D497,217 S *	10/2004	Thornton, Jr.	D26/76
D573,730 S *	7/2008	Uemoto	D26/1
D608,929 S *	1/2010	Castelli	D26/76
D608,932 S *	1/2010	Castelli	D26/76
D608,933 S *	1/2010	Castelli	D26/76
D636,108 S *	4/2011	Nguyen	D26/89
D642,318 S *	7/2011	Mancini	D26/83
D663,882 S *	7/2012	Muraishi	D26/76
D675,365 S *	1/2013	Beghelli	D26/78
D685,122 S *	6/2013	Kim	D26/74
D690,844 S *	10/2013	Wang	D26/51
D707,880 S *	6/2014	Magnusson	D26/120

(Continued)

OTHER PUBLICATIONS

Elco 21.25" Fluorescent Undercabinet Light with Lamp, available in build.com, announced Year 2018 [online], [site visited Mar. 30, 2023], Internet URL: <https://www.build.com/elco-eun21el/s504405?uid=1662868> (Year: 2018).*

(Continued)

Primary Examiner — Kathleen L. Jones

Assistant Examiner — Jasmine L. Comedy

(74) *Attorney, Agent, or Firm* — BERESKIN & PARR LLP/ S.E.N.C.R.L. s.r.l.; Isis E. Caulder; Justin Philpott

(57) **CLAIM**

The ornamental design for a closet light fixture, as shown and described.

DESCRIPTION

FIG. 1 is a front, top and right side perspective view of a closet light fixture, and showing my new design.

FIG. 2 shows a front, bottom left side perspective view of the design of FIG. 1.

FIG. 3 is a top plan view of the design of FIG. 1.

FIG. 4 is a bottom plan view of the design of FIG. 1.

FIG. 5 is a right side elevation view of the design of FIG. 1.

FIG. 6 is a left side elevation view of the design of FIG. 1.

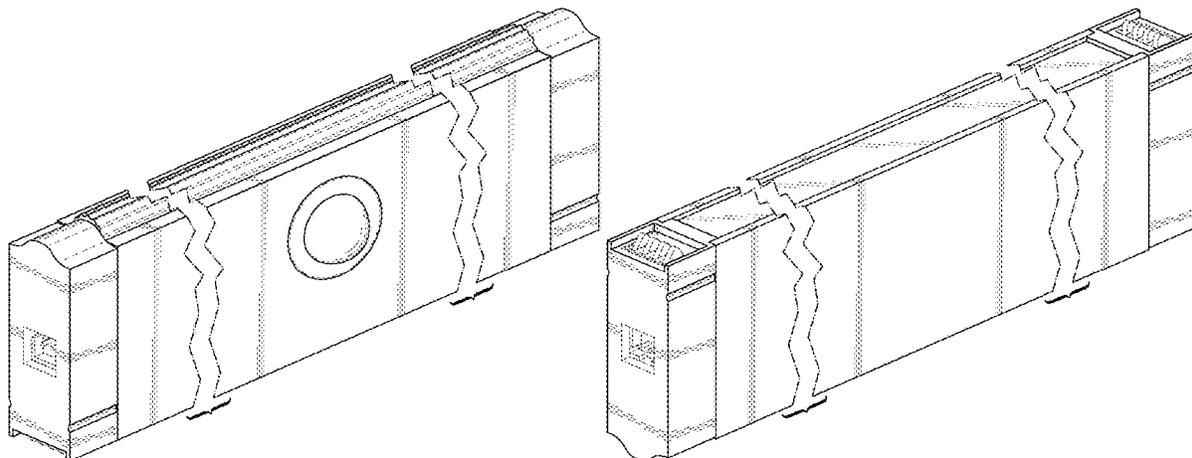
FIG. 7 a front elevation view of the design of FIG. 1; and,

FIG. 8 is a rear elevation view of the design of FIG. 1.

The dash-dash broken lines shown in the drawings represent portions of the closet light fixture that form no part of the claimed design.

The dash-dot broken lines shown in the drawings represent symbolic breaks in the length of the closet light fixture. The dash-dot broken lines, as well as any portion of the article between them, form no part of the claimed design.

1 Claim, 6 Drawing Sheets



(56)

References Cited

U.S. PATENT DOCUMENTS

D759,874	S	*	6/2016	Boyer	D26/76
D771,858	S	*	11/2016	Wu	D26/76
D791,383	S	*	7/2017	Yu	D26/76
D791,999	S	*	7/2017	Hargreaves	D26/76
D797,349	S	*	9/2017	Rashidi Doust	D26/118
D825,792	S	*	8/2018	Johnson	D26/24
D858,852	S	*	9/2019	Chen	D26/76
D869,048	S	*	12/2019	Chai	D26/76
D872,339	S	*	1/2020	Chen	D26/76
D917,091	S	*	4/2021	Ma	D26/76
D992,792	S	*	7/2023	Xu	D26/71

OTHER PUBLICATIONS

LED Motion Sensor Cabinet Light, available in Amazon.com, date first available Sep. 22, 2019 [online], [site visited Jul. 7, 2022],

Available from the internet URL: <https://a.co/d/fLoN5az> (Year: 2019).*

Motion Sensor LED Light Strip Magnetic Under Cabinet Lighting, available in Amazon.com, date first available Jun. 1, 2021 [online], [site visited Nov. 28, 2022], Available from the internet URL: <https://a.co/d/9DLnmb> (Year: 2021).*

Slim Rechargeable Cabinet Light, available in forumlightingsolutions.com, date first available Feb. 22, 2021 [online], [site visited Dec. 2, 2022], Available from the internet URL: <https://www.forumlightingsolutions.com/collections/rechargeable-cabinet-light/products/200mm-slim-rechargeable-cabinet-light> (Year: 2021).*

Lexall 6 Pack LED Motion Sensor Lights, available in Amazon.com, date first available Mar. 23, 2020 [online], [site visited Apr. 6, 2023], Available from the internet URL: <https://www.amazon.com/dp/B0868H6M78/> (Year: 2020).*

* cited by examiner

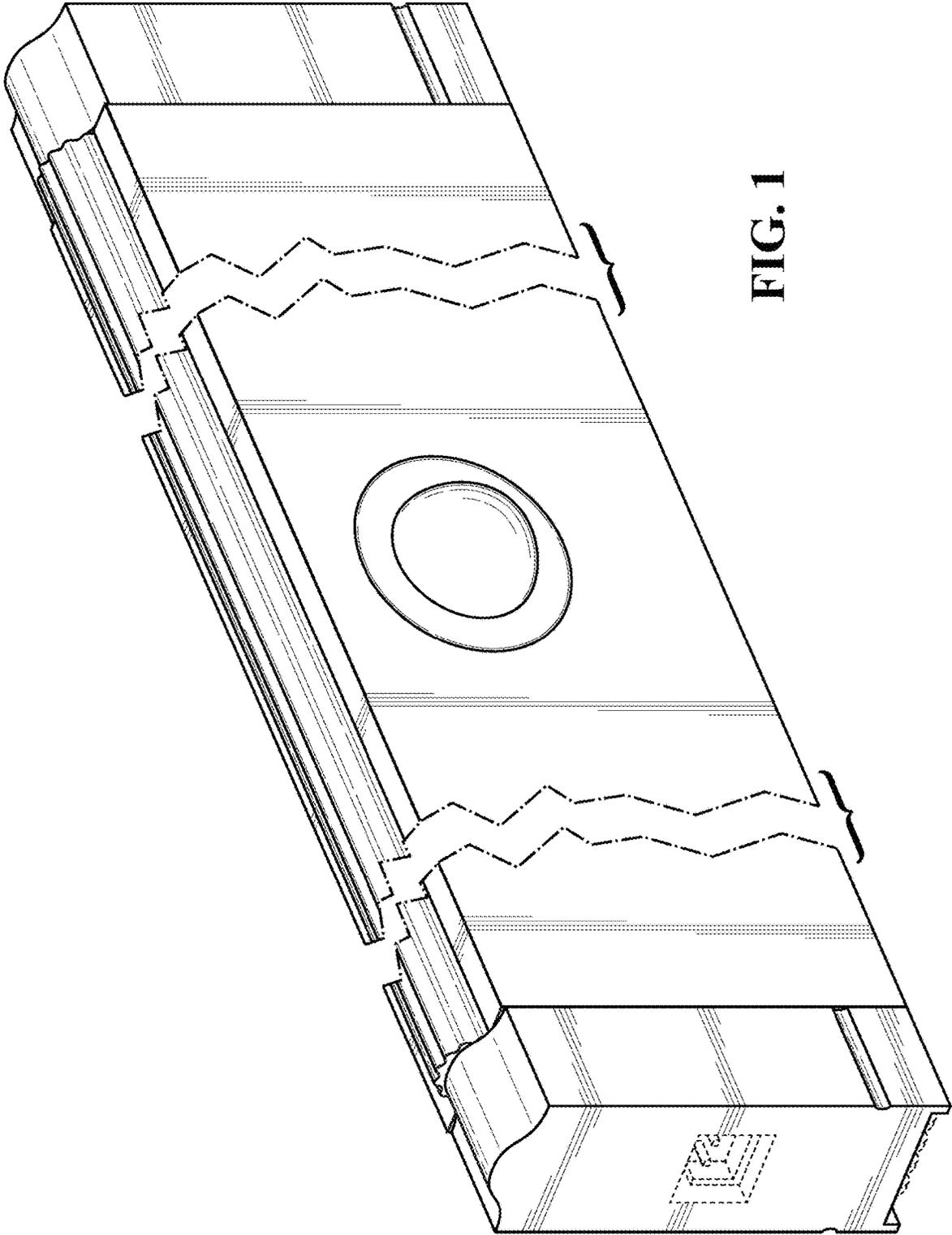


FIG. 1

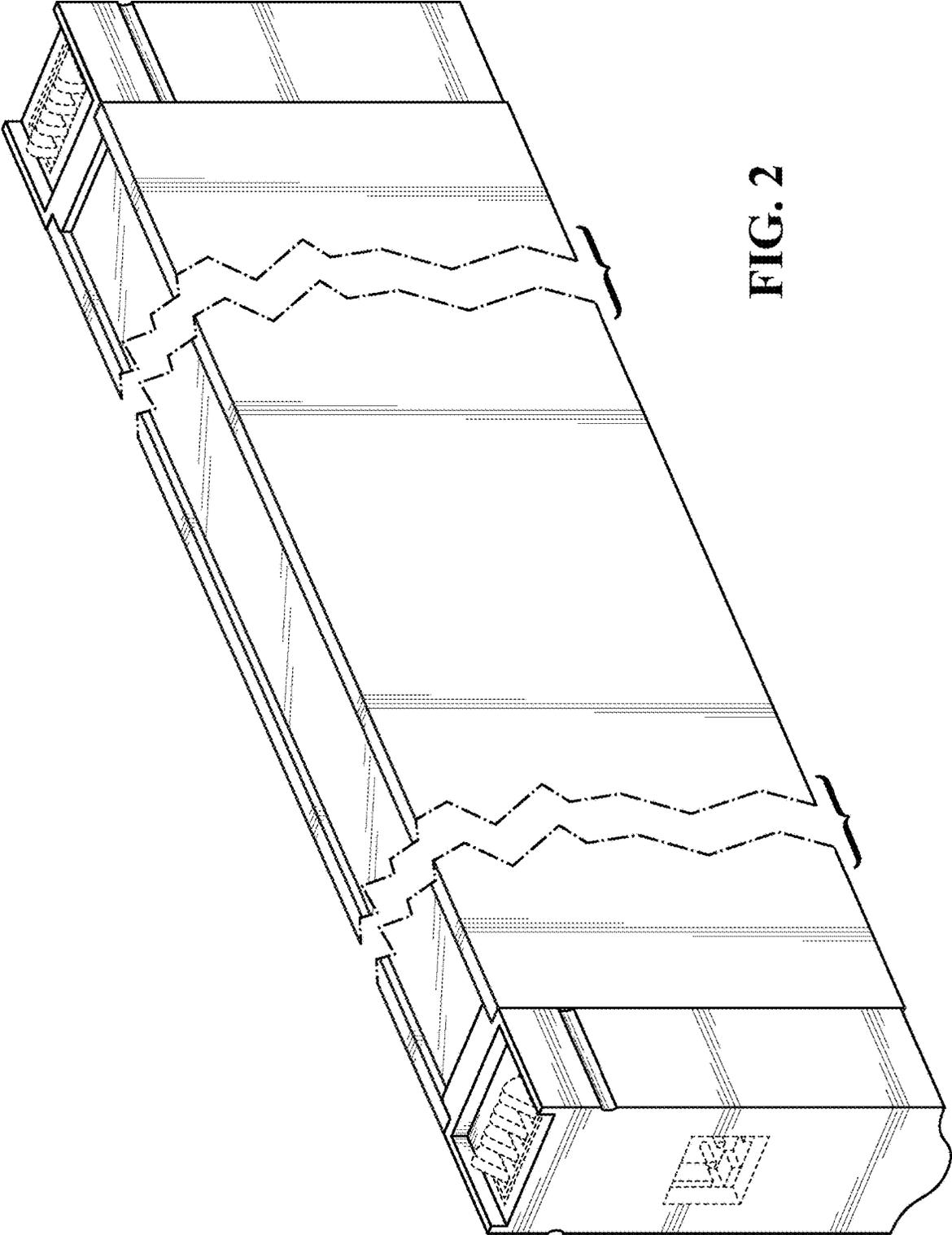


FIG. 2

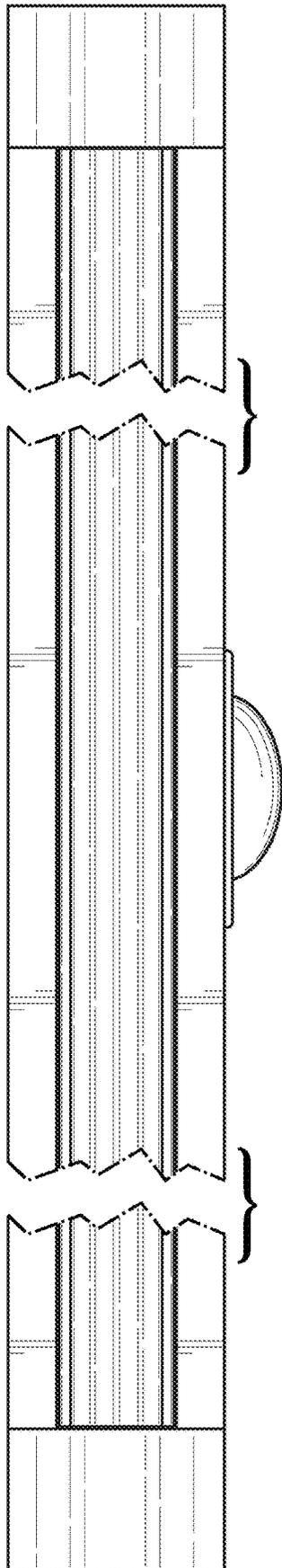


FIG. 3

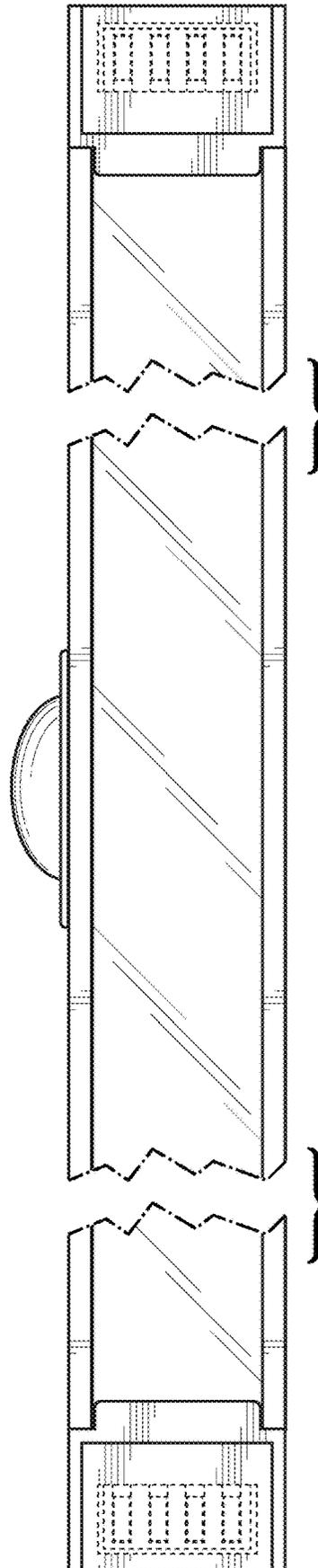


FIG. 4

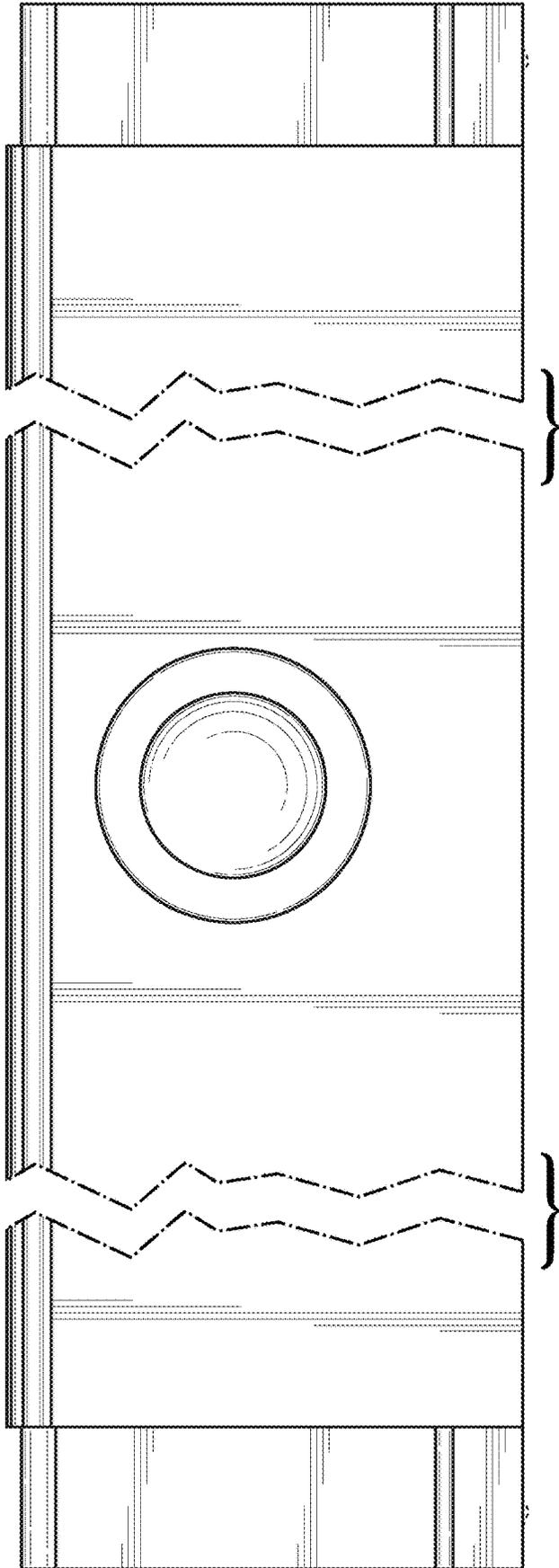


FIG. 5

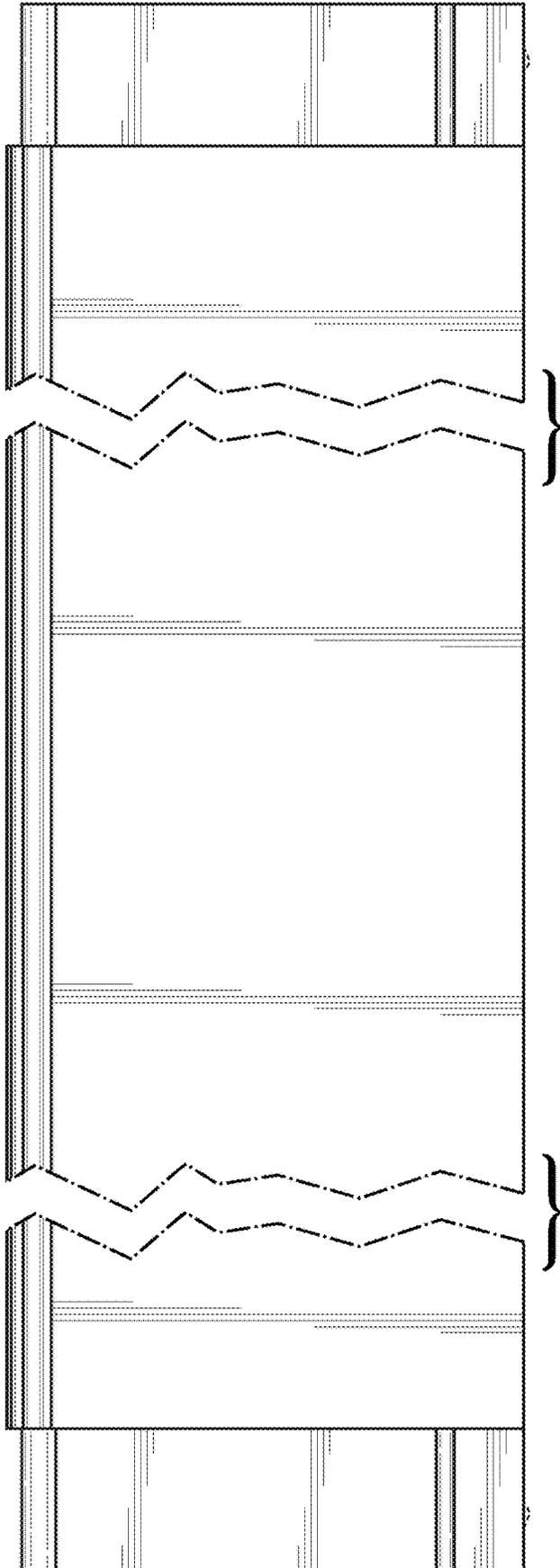


FIG. 6

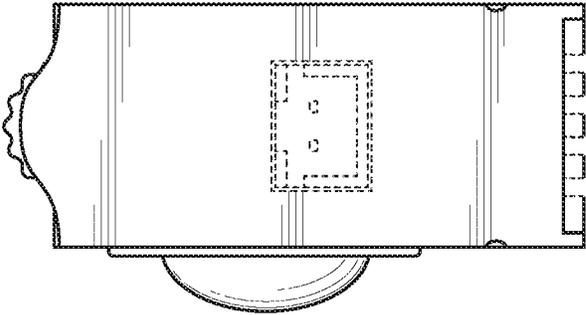


FIG. 7

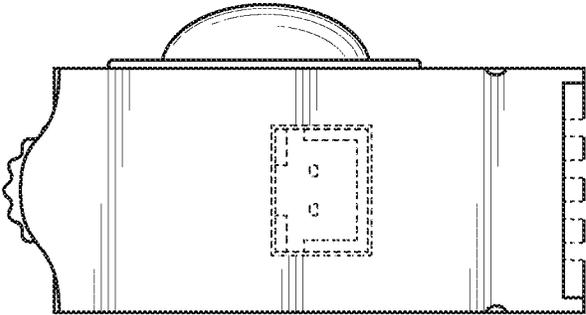


FIG. 8