



US00D774238S

(12) **United States Design Patent** (10) **Patent No.:** **US D774,238 S**
August (45) **Date of Patent:** **** Dec. 13, 2016**

(54) **LAMP**

(71) Applicant: **John August**, Mill Valley, CA (US)

(72) Inventor: **John August**, Mill Valley, CA (US)

(**) Term: **14 Years**

(21) Appl. No.: **29/525,642**

(22) Filed: **Apr. 30, 2015**

(51) **LOC (10) Cl.** **26-03**

(52) **U.S. Cl.**
USPC **D26/93**

(58) **Field of Classification Search**

USPC D26/1, 24, 93, 106, 94, 107
CPC F21S 6/00; F21S 6/002; F21S 6/004;
F21S 6/006; F21S 8/00; F21S
10/00; F21V 21/02; F21W
2131/30; F21Y 2105/00

See application file for complete search history.

(56) **References Cited**

U.S. PATENT DOCUMENTS

D177,152 S * 3/1956 Richardson et al. D26/94
D302,048 S * 7/1989 Dolfi D26/103
D548,875 S * 8/2007 Schieber D26/93
D617,036 S * 6/2010 Trumble D26/93

OTHER PUBLICATIONS

“Mezzochimera” Table Light, p. 263, “1000 Lights”, Taschen Books 2009, Charlotte/Peter Fiell, eds.*

* cited by examiner

Primary Examiner — Brian N Vinson
(74) *Attorney, Agent, or Firm* — PatentBest; Andrew McAleavey

(57) **CLAIM**

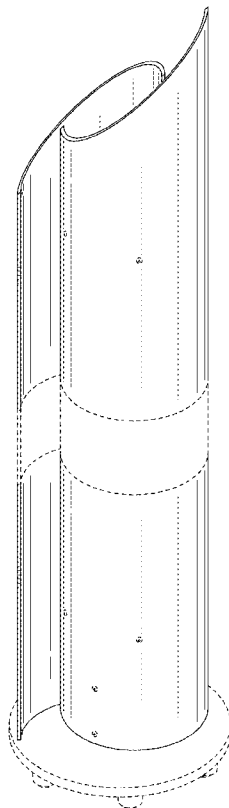
The ornamental design for a lamp, as shown and described.

DESCRIPTION

FIG. 1 is a perspective view of the lamp in a first configuration, illustrating my new design; FIG. 2 is a front elevational view of the lamp; FIG. 3 is a rear elevational view of the lamp; FIG. 4 is an elevational view of one side of the lamp; FIG. 5 is an elevational view of the other side of the lamp; FIG. 6 is a top plan view of the lamp; FIG. 7 is a bottom plan view of the lamp; and, FIG. 8 is a perspective view of the lamp in a second configuration.

The broken lines immediately adjacent the shaded areas represent the bounds of the claimed design, while all other broken lines are directed to environment and are for illustrative purposes only; the broken lines form no part of the claimed design.

1 Claim, 5 Drawing Sheets



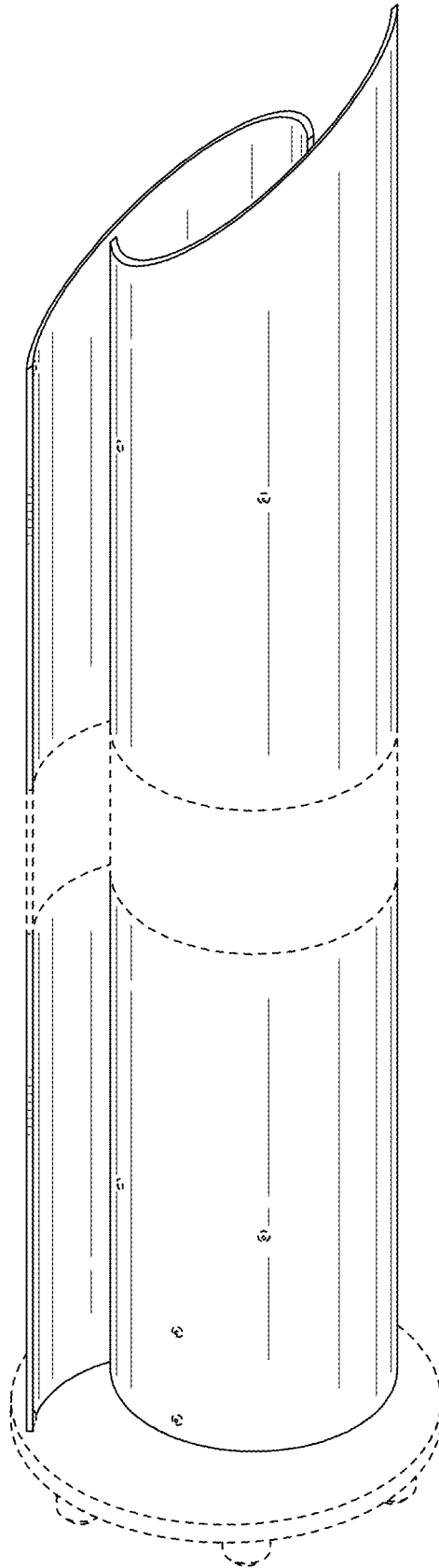


FIG. 1

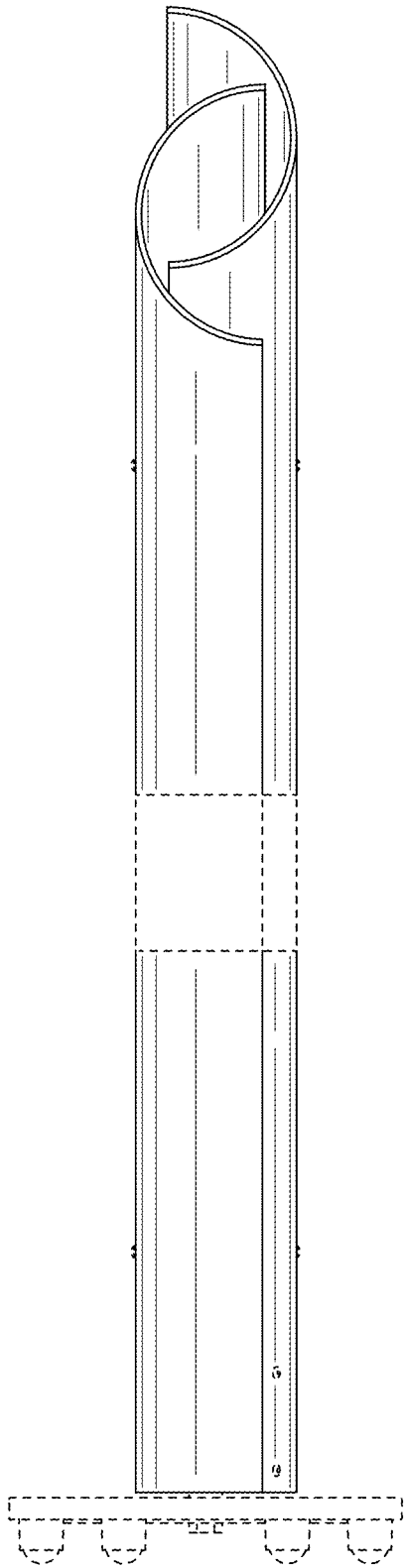


FIG. 2

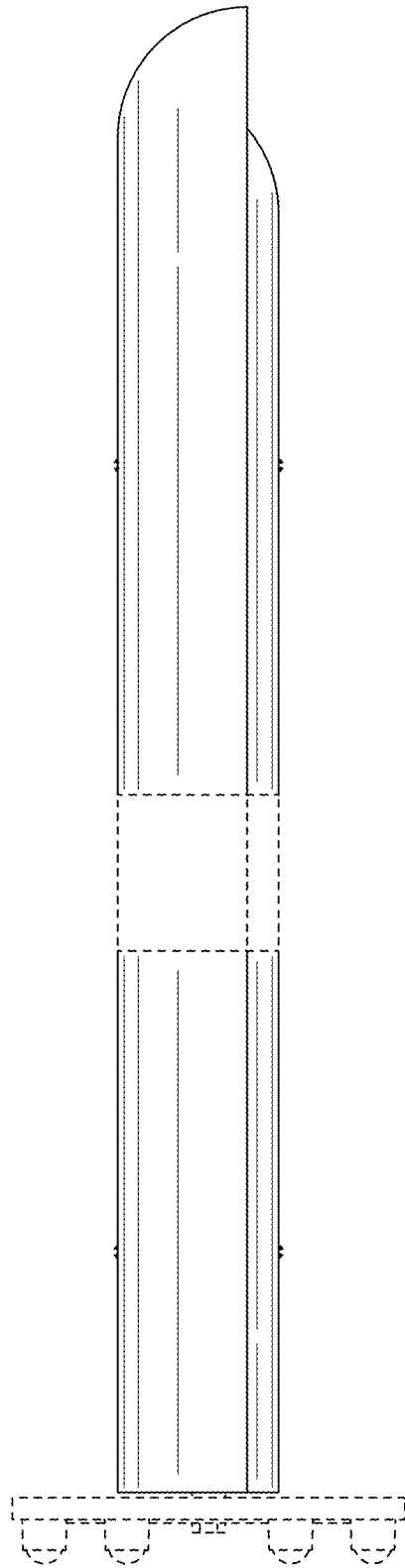


FIG. 3

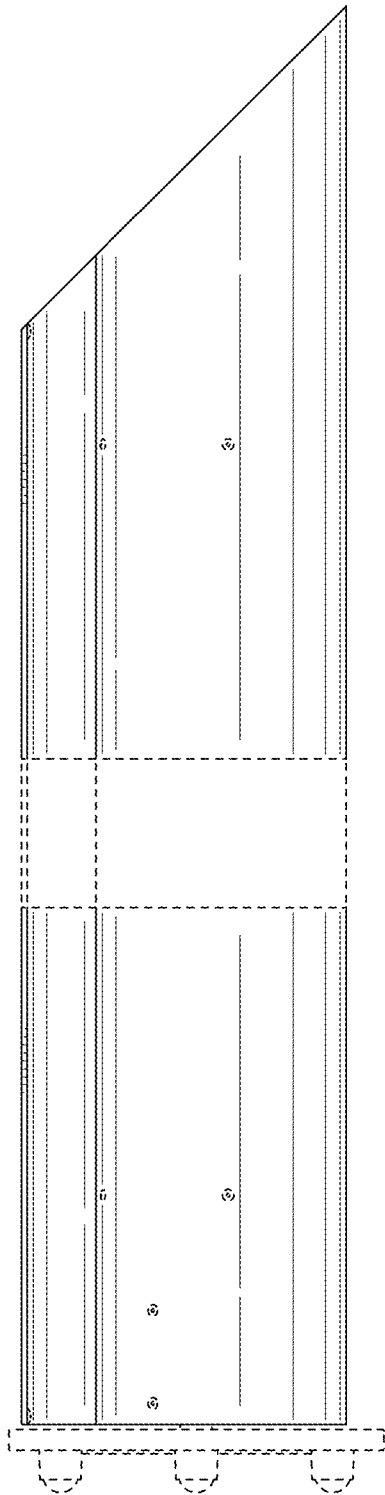


FIG. 4

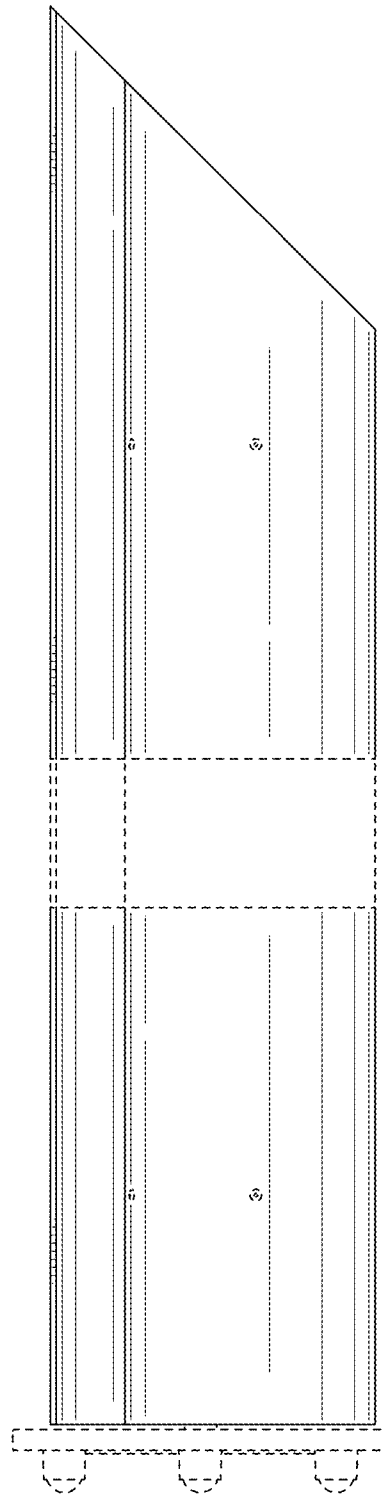


FIG. 5

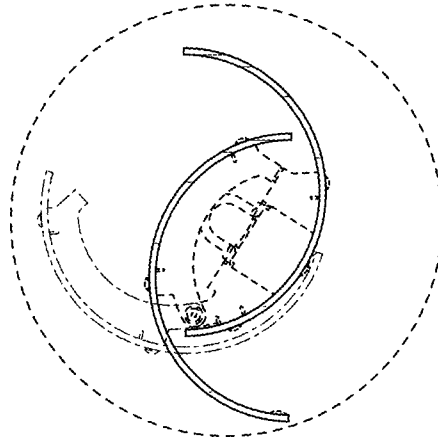


FIG. 6

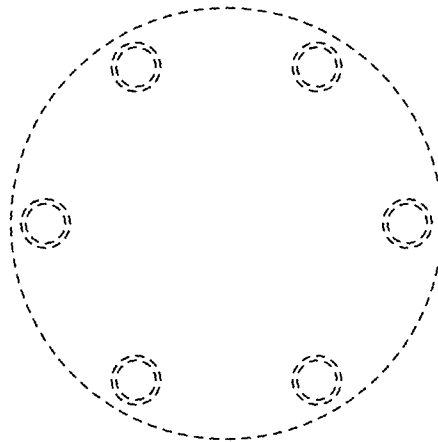


FIG. 7

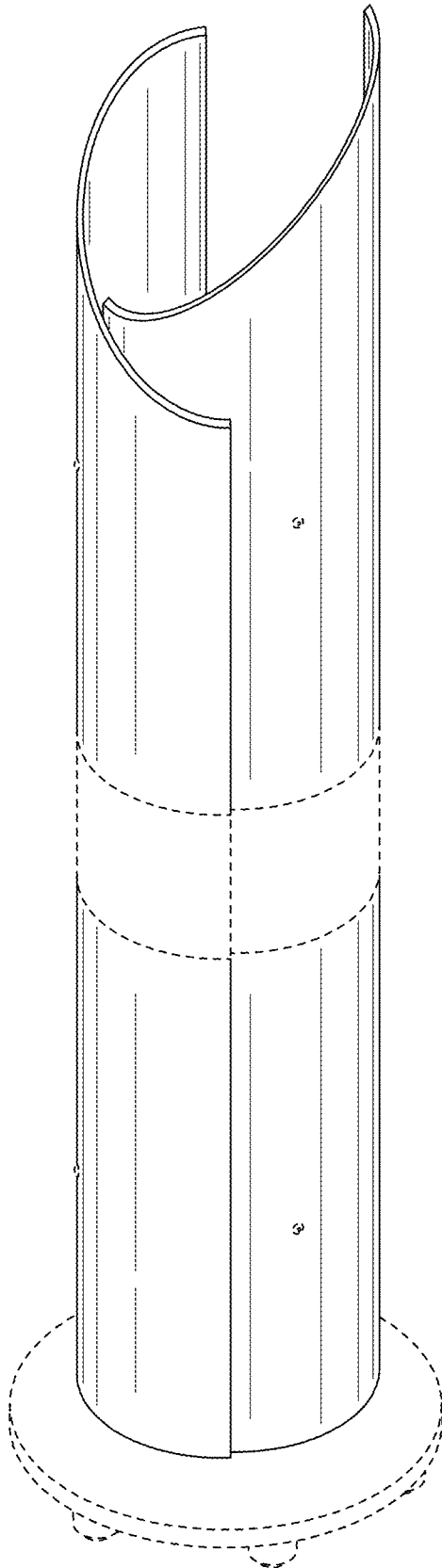


FIG. 8