



(12) **United States Design Patent**
Grzyb

(10) **Patent No.:** **US D632,554 S**
(45) **Date of Patent:** **** Feb. 15, 2011**

- (54) **CLIP**
- (75) Inventor: **Krzysztof Grzyb**, Aurora, IL (US)
- (73) Assignee: **Control Solutions LLC**, Aurora, IL (US)
- (**) Term: **14 Years**
- (21) Appl. No.: **29/316,863**
- (22) Filed: **Nov. 6, 2009**
- (51) **LOC (9) Cl.** **08-08**
- (52) **U.S. Cl.** **D8/395**; D8/396
- (58) **Field of Classification Search** D8/354, D8/356, 371, 394-396; D19/65, 86; D24/128; 248/74.2, 215, 227.1, 49, 300, 301, 316.7, 248/51, 489; 24/570, 3.12; D11/3, 4, 5
See application file for complete search history.

4,958,792 A *	9/1990	Rinderer	248/74.2
D358,691 S *	5/1995	Engle	D32/54
5,462,212 A *	10/1995	Hertel, Jr.	224/570
5,533,696 A *	7/1996	Laughlin et al.	248/74.2
D426,577 S *	6/2000	Mackey et al.	D19/89
6,494,415 B1 *	12/2002	Roth	248/74.1
6,899,305 B2 *	5/2005	Korczak et al.	248/68.1
7,097,142 B1 *	8/2006	Schmidt	248/68.1
7,456,361 B2 *	11/2008	Hill	174/84 C

* cited by examiner

Primary Examiner—Celia A Murphy
Assistant Examiner—John Windmuller
(74) *Attorney, Agent, or Firm*—The Eclipse Group LLP

(57) **CLAIM**

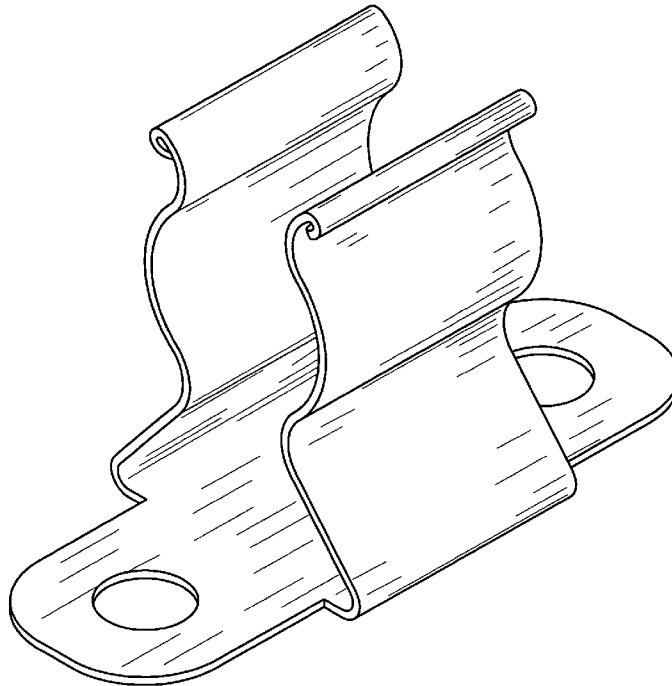
I claim the ornamental design for a clip, as shown and described.

DESCRIPTION

FIG. 1 is a top left perspective view of a clip showing my new design;
FIG. 2 is a top view thereof;
FIG. 3 is a front view thereof;
FIG. 4 is a left side view thereof;
FIG. 5 is a rear view thereof;
FIG. 6 is a right side view thereof; and,
FIG. 7 is a bottom view thereof.

1 Claim, 2 Drawing Sheets

- (56) **References Cited**
U.S. PATENT DOCUMENTS
- | | | | | |
|---------------|---------|----------------|-------|----------|
| 755,555 A * | 3/1904 | Weaver | | 211/67 |
| 969,524 A * | 9/1910 | Condon | | 224/247 |
| 1,530,180 A * | 3/1925 | Holmes | | 211/65 |
| 1,962,953 A * | 6/1934 | Erwin | | 24/566 |
| 2,807,431 A * | 9/1957 | McHale | | 248/113 |
| 3,066,903 A * | 12/1962 | Tinnerman | | 248/300 |
| 3,310,264 A * | 3/1967 | Appleton | | 248/72 |
| 3,739,435 A * | 6/1973 | Baker | | 292/305 |
| 4,119,285 A * | 10/1978 | Bisping et al. | | 248/72 |
| 4,479,625 A * | 10/1984 | Martz | | 248/74.1 |



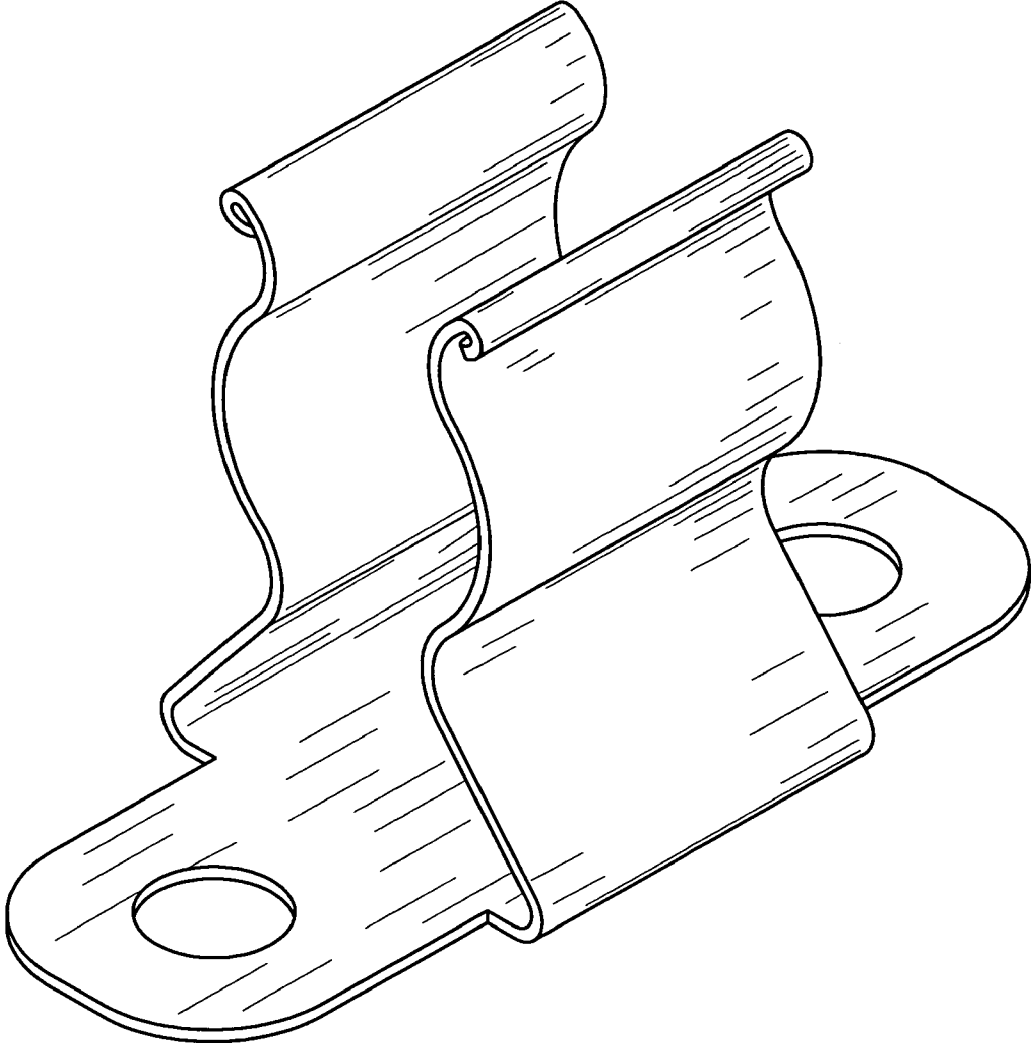


FIG. 1

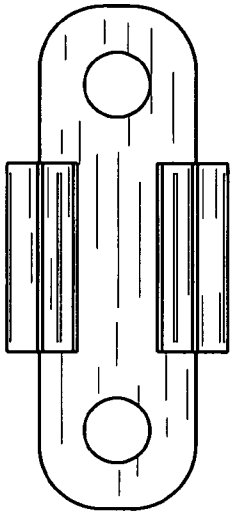


FIG. 2

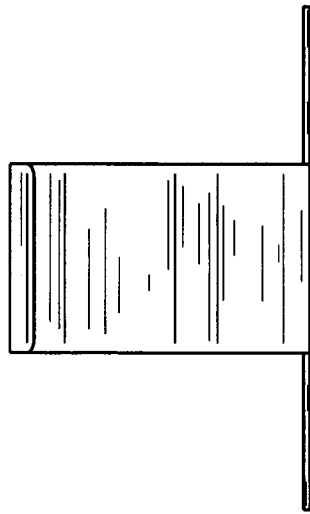


FIG. 3

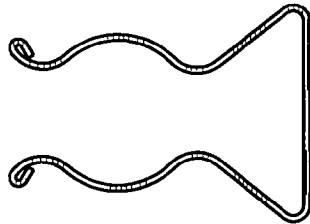


FIG. 4

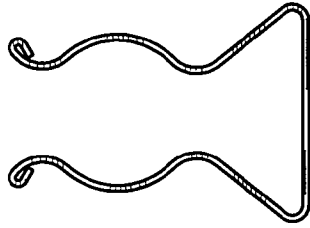


FIG. 6

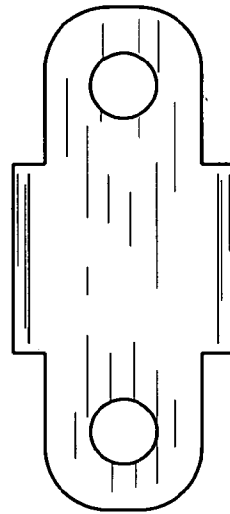


FIG. 7