



US00D345336S

United States Patent [19]

[11] Patent Number: **Des. 345,336**

Pigott, Jr.

[45] Date of Patent: **** Mar. 22, 1994**

[54] **SPARE TIRE SUPPORT BRACKET**

4,434,919 3/1984 Flowers 224/42.24
5,215,232 6/1993 Wyers 224/42.13

[76] Inventor: **David M. Pigott, Jr.**, 39 Cedar Ave.,
Bethpage, N.Y. 11714

Primary Examiner—Wallace R. Burke
Assistant Examiner—Melody N. Brown
Attorney, Agent, or Firm—Terry M. Gernstein

[**] Term: **14 Years**

[21] Appl. No.: **903,557**

[57] **CLAIM**

[22] Filed: **Jun. 25, 1992**

The ornamental design for a spare tire support bracket,
as shown.

[52] U.S. Cl. **D12/202**

[58] Field of Search 224/42.12, 42.13, 42.24,
224/42.06; D12/202

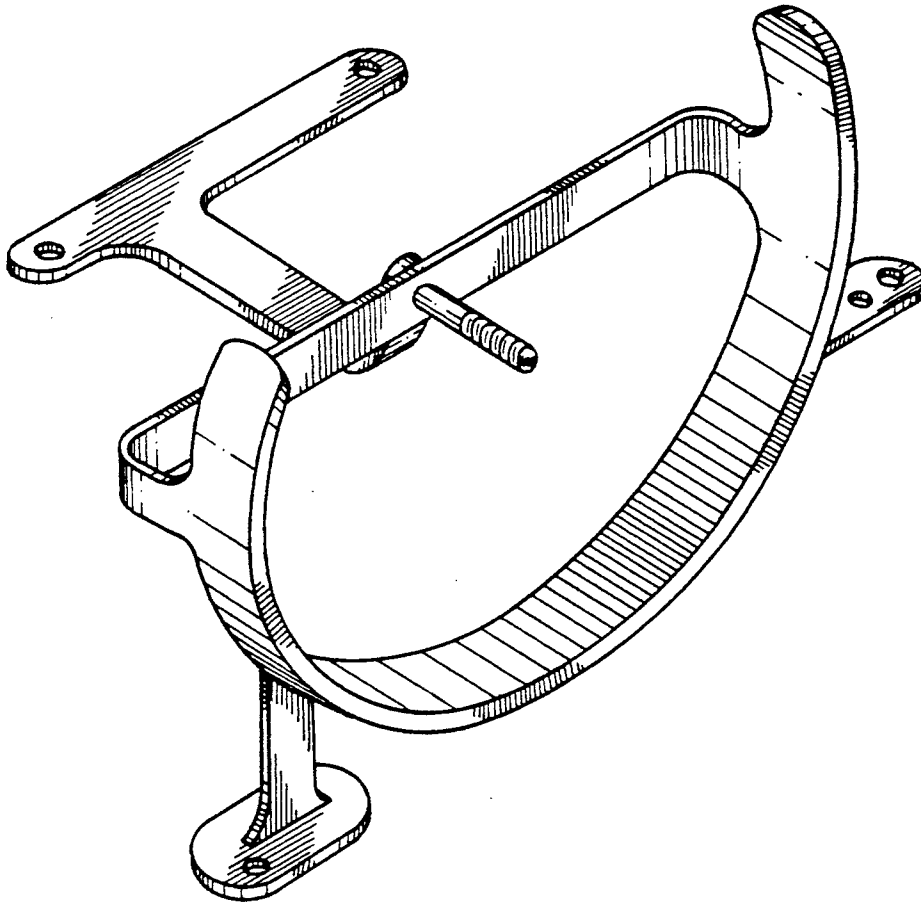
DESCRIPTION

[56] **References Cited**

U.S. PATENT DOCUMENTS

D. 236,713	9/1975	Wertzes	D12/202
3,987,947	10/1976	Della Pella	224/42.06
4,132,336	1/1979	Leinar	224/42.21
4,366,923	1/1983	Koch	224/42.13

FIG. 1 is a top, front and side perspective view of the spare tire support bracket showing my new design; FIG. 2 is a front elevational view thereof; FIG. 3 is a rear elevational view thereof; FIG. 4 is a side elevational view thereof; FIG. 5 is an opposite side elevational view thereof; FIG. 6 is a top plan view thereof; and, FIG. 7 is a bottom plan view thereof.



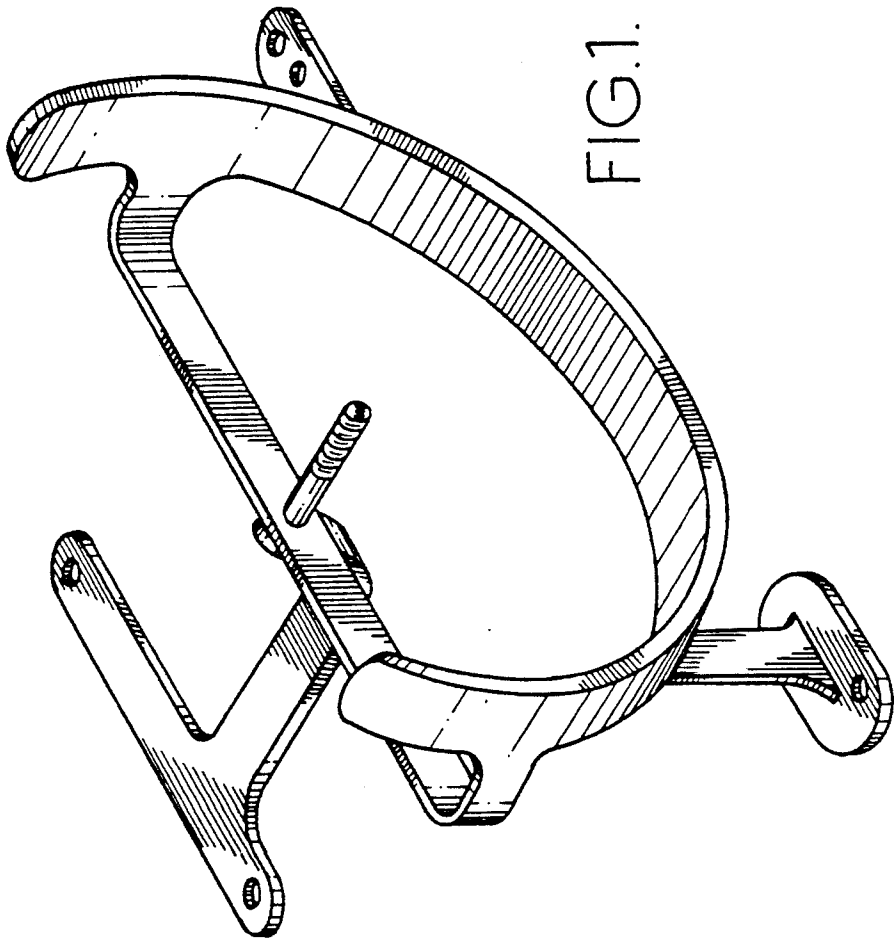


FIG. 1.

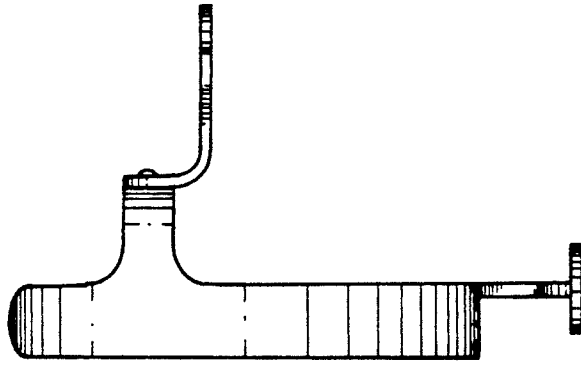


FIG. 4.

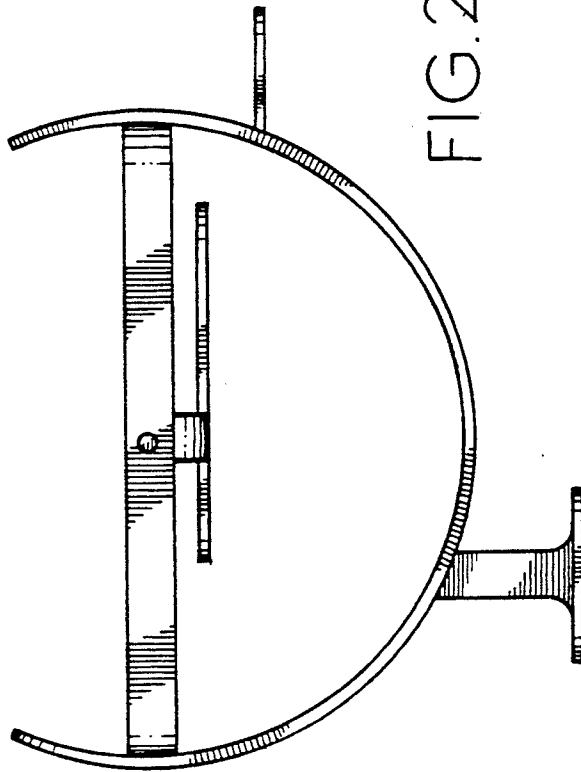


FIG. 2.

FIG. 7.

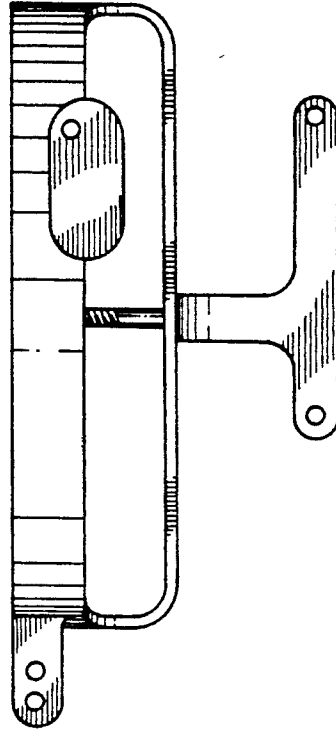
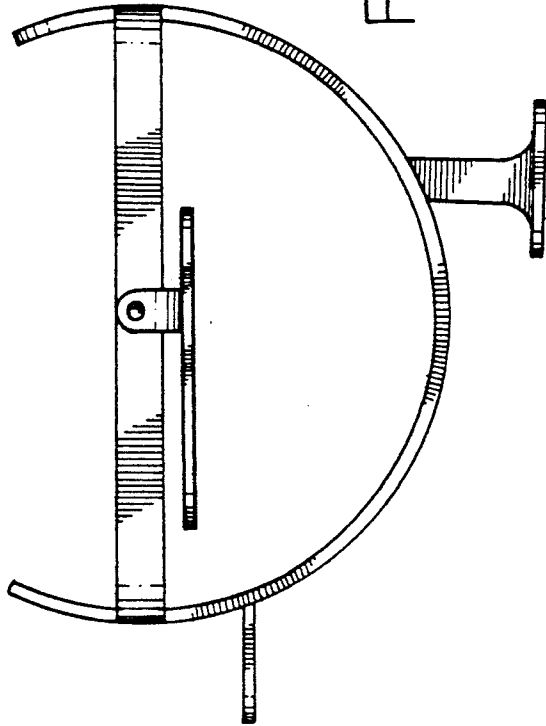


FIG. 3.



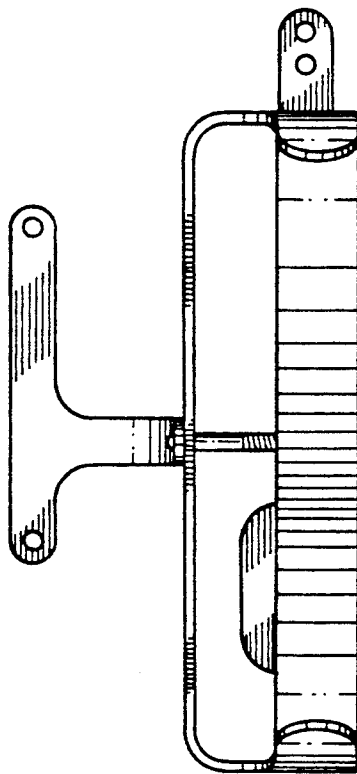
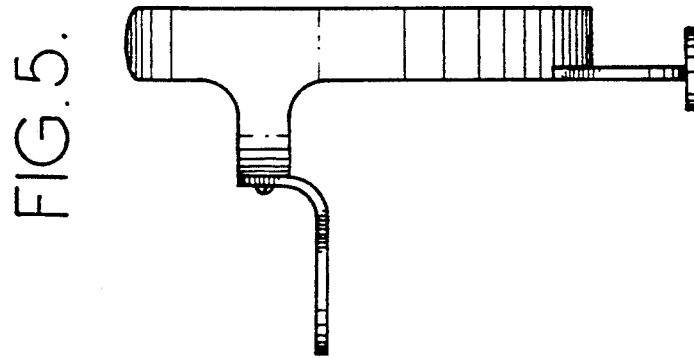


FIG. 6.