



US00D984204S

(12) **United States Design Patent**  
**Inyang et al.**

(10) **Patent No.:** **US D984,204 S**

(45) **Date of Patent:** **\*\* Apr. 25, 2023**

(54) **LID FOR A BEVERAGE CONTAINER**

OTHER PUBLICATIONS

(71) Applicant: **Factory Enova, LLC**, Fountain Valley, CA (US)

Water Bottle: Site Visited (Sep. 24, 2022). Available from Internet URL: [https://www.factorye.life/listing/1276167073/personalized-name-initial-monogram-20oz.\\*](https://www.factorye.life/listing/1276167073/personalized-name-initial-monogram-20oz.*)

(72) Inventors: **Seth Imo Inyang**, Anaheim, CA (US);  
**Vinh Lieu**, Fountain Valley, CA (US);  
**Feifei Wang**, Tongkang (CN)

*Primary Examiner* — Catherine S Posthauer  
(74) *Attorney, Agent, or Firm* — iPA & iPM

(73) Assignee: **Factory Enova, LLC**, Fountain Valley, CA (US)

(\*\*) Term: **15 Years**

(57) **CLAIM**

The ornamental design for a lid for a beverage container, as shown and described.

(21) Appl. No.: **29/835,803**

(22) Filed: **Apr. 21, 2022**

**DESCRIPTION**

(51) **LOC (14) Cl.** ..... **07-99**

(52) **U.S. Cl.**

USPC ..... **D7/392.1**

(58) **Field of Classification Search**

USPC ..... D7/387, 391, 392.1, 396.1, 396.2, 396.6,  
D7/388, 402, 403; D9/434, 435, 436,  
D9/438, 439, 440, 442, 443, 445, 446,  
D9/449, 452, 453, 454, 455, 456;  
D3/201, 273, 304, 315, 318, 319, 323;  
D23/209, 258, 259, 260, 261; D24/127,  
D24/162, 193, 194, 197, 199, 224, 227;  
D34/10, 11; D6/518  
CPC ..... B25B 13/5008; B25B 15/008; B65D 1/02;  
B65D 1/0233; B65D 1/08; B65D 1/10;  
B65D 41/14; B65D 41/16; B65D  
41/3428; B65D 55/16; B65D 43/169;  
B65D 43/26; B65D 43/08; B65D  
2543/00972; B65D 2525/285; B65D  
2525/286; B65D 2525/287; B65D  
2525/288; B65D 53/02;

(Continued)

FIG. 1 is a perspective front view of a lid for beverage container, showing my new design, showing the strap and spout features in extended positions, and further showing the article in a position of use with an exemplary beverage container and a hand holding said container; FIG. 2 is another perspective view thereof, shown independent of the exemplary beverage container to show aspects of the design not visible when combined; FIG. 3 is a back view thereof; FIG. 4 is a front view thereof; FIG. 5 is a left side view thereof, which corresponds to a mirror image of a right side view thereof; FIG. 6 is a top view thereof; FIG. 7 is a bottom view thereof; FIG. 8 is a back view thereof, with the strap and the spout both in resting positions; FIG. 9 is a front view thereof; FIG. 10 is left side view thereof, which corresponds to a mirror image of a right side view thereof; FIG. 11 is a top view thereof; and, FIG. 12 is a bottom view thereof.

The broken lines are shown for the purpose of illustrating both parts of the article as well as exemplary environmental subject matter. None of the broken lines form part of the claimed design.

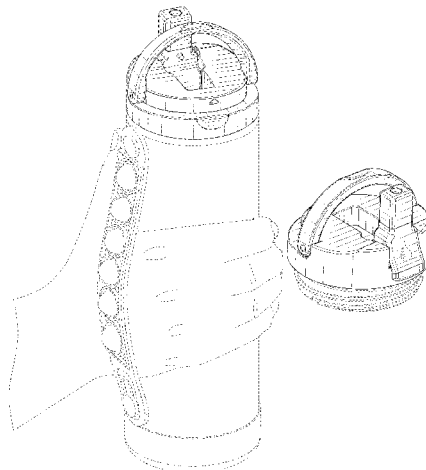
(56) **References Cited**

U.S. PATENT DOCUMENTS

D720,218 S \* 12/2014 Hutson ..... D9/449  
D872,522 S \* 1/2020 Diener ..... D9/449

(Continued)

**1 Claim, 6 Drawing Sheets**



(58) **Field of Classification Search**

CPC ..... B65D 83/0805; B65D 75/5894; B65D  
43/088; A47G 19/24; B67D 3/00

See application file for complete search history.

(56) **References Cited**

U.S. PATENT DOCUMENTS

D886,517	S	*	6/2020	Bo	.....	D7/392.1
D894,672	S	*	9/2020	Huang	.....	D9/450
D897,761	S	*	10/2020	Zhang	.....	D9/450
D899,849	S	*	10/2020	Zhang	.....	D9/449
D900,538	S	*	11/2020	Yao	.....	D7/392.1
D900,539	S	*	11/2020	Yao	.....	D7/392.1
D903,405	S	*	12/2020	Zhang	.....	D7/392.1
D906,042	S	*	12/2020	Chen	.....	D9/450
D911,100	S	*	2/2021	Chen	.....	D9/450
D917,956	S	*	5/2021	Yao	.....	D9/516
D917,959	S	*	5/2021	Yao	.....	D9/516
D917,960	S	*	5/2021	Yao	.....	D9/516
D923,395	S	*	6/2021	Xie	.....	D7/392.1
D924,000	S	*	7/2021	Chen	.....	D7/392.1
D930,427	S	*	9/2021	Ayres	.....	D7/392.1
D935,264	S	*	11/2021	Kutlug	.....	D7/392.1
D938,778	S	*	12/2021	Ge	.....	D9/450
D940,501	S	*	1/2022	Burga	.....	D7/392.1
D947,597	S	*	4/2022	Shi	.....	D7/392.1
D948,933	S	*	4/2022	Steenari	.....	D7/396.2
D951,011	S	*	5/2022	Zhang	.....	D7/392.1
D955,810	S	*	6/2022	Ni	.....	D7/392.1
D957,875	S	*	7/2022	Chen	.....	D7/392.1
D960,637	S	*	8/2022	Zhang	.....	D7/391

\* cited by examiner

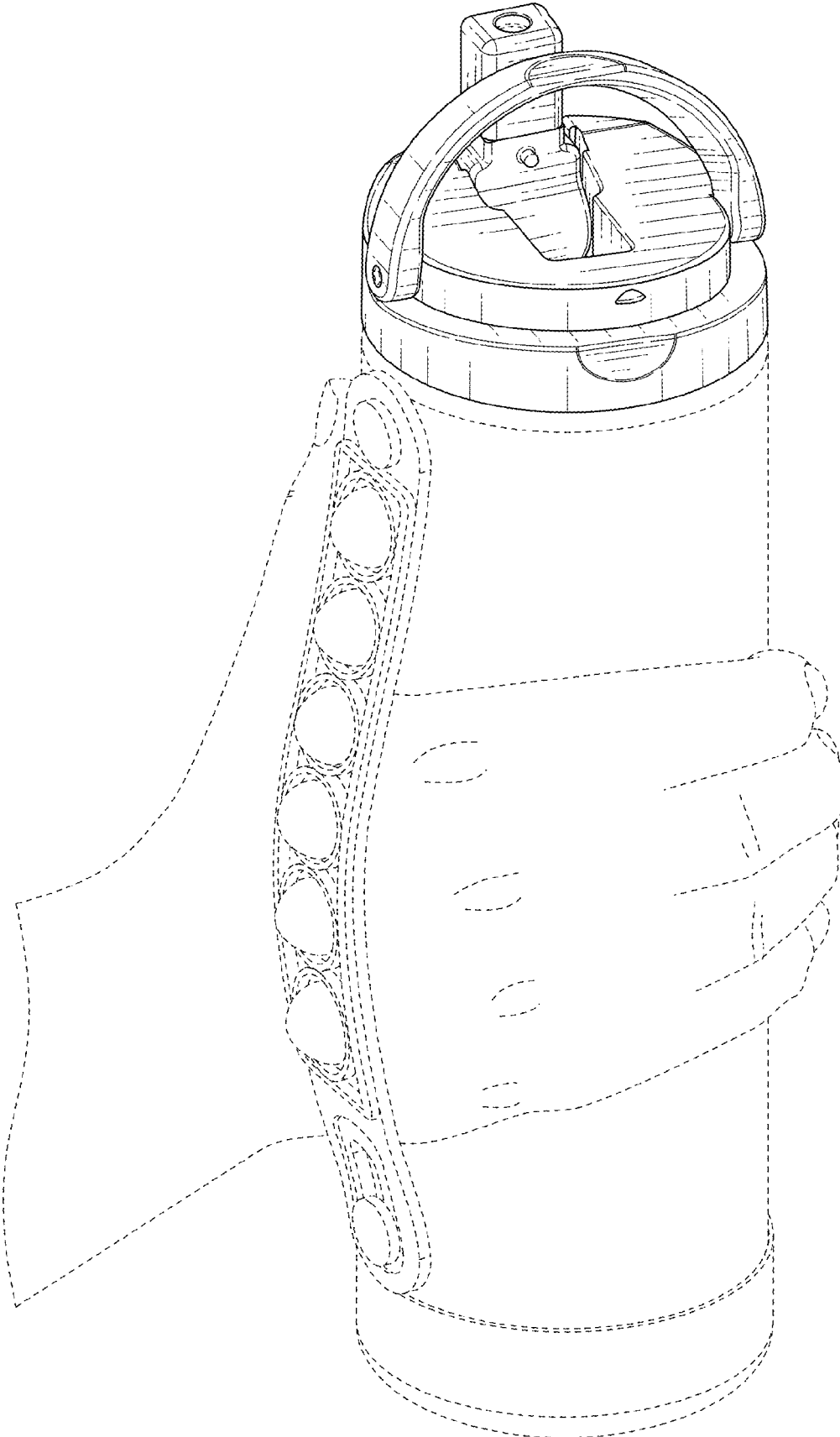


FIG. 1

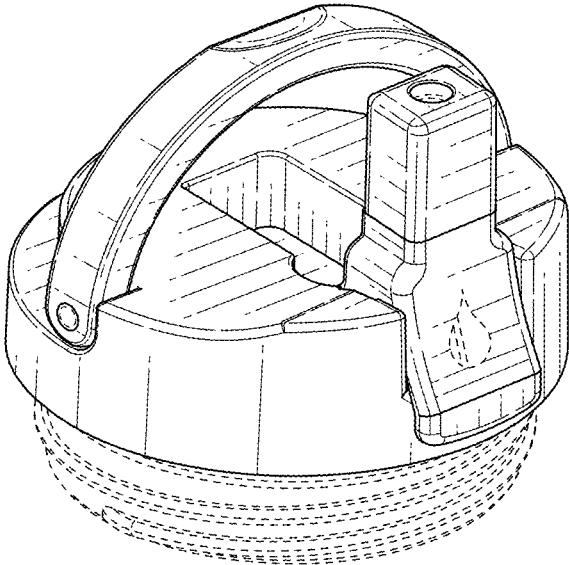


FIG. 2

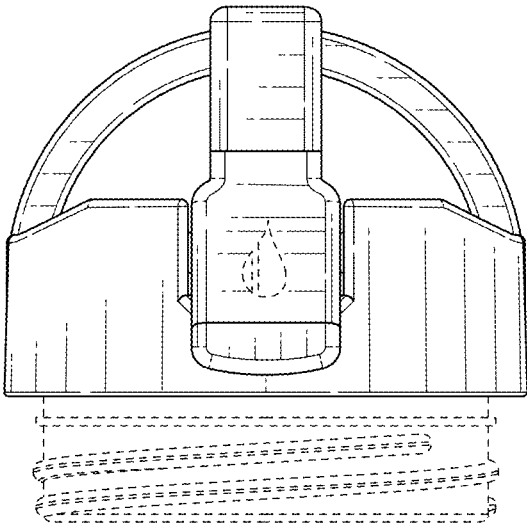


FIG. 3

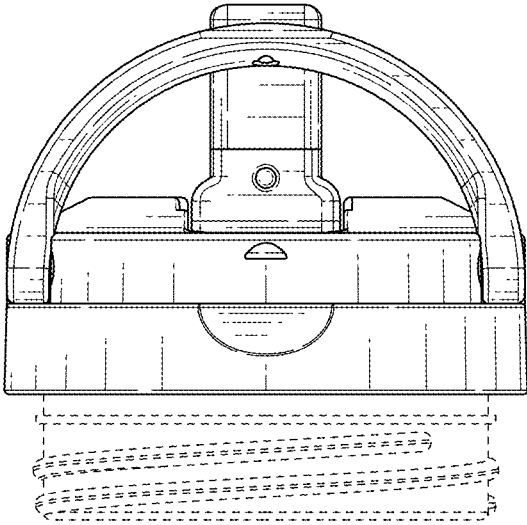


FIG. 4

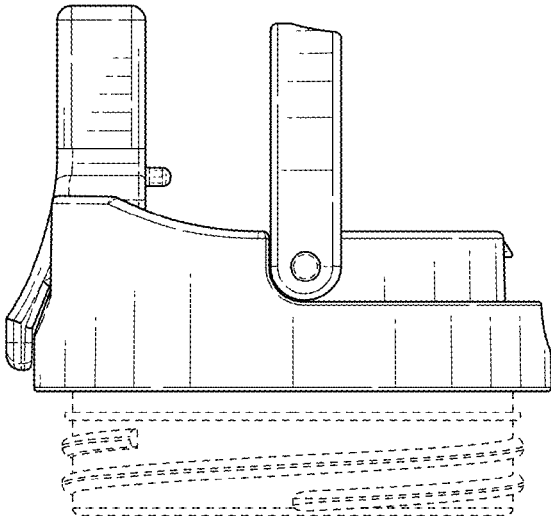


FIG. 5

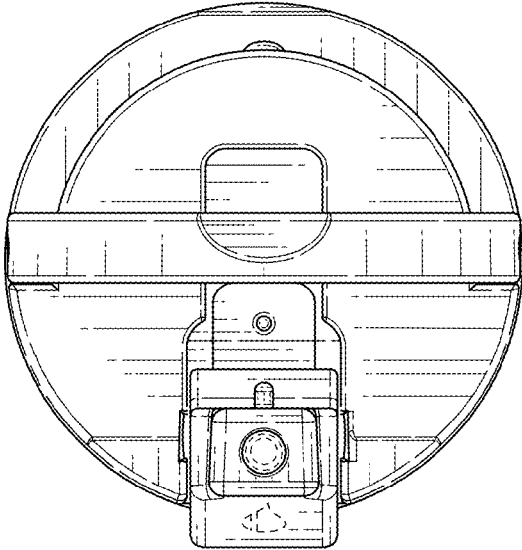


FIG. 6

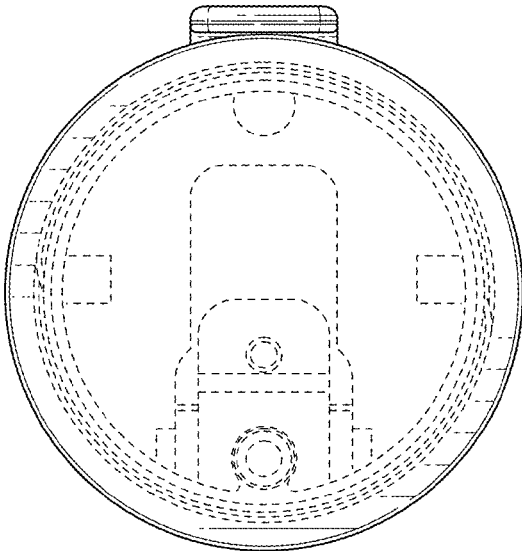


FIG. 7

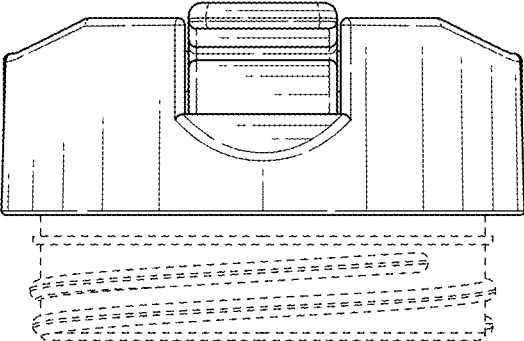


FIG. 8

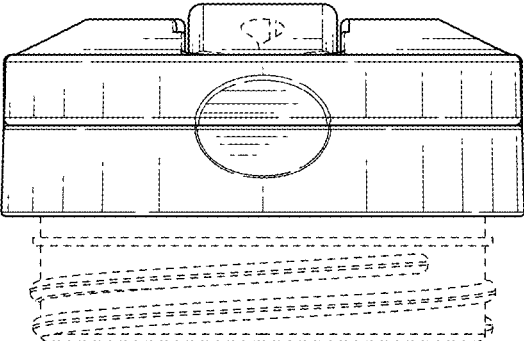


FIG. 9

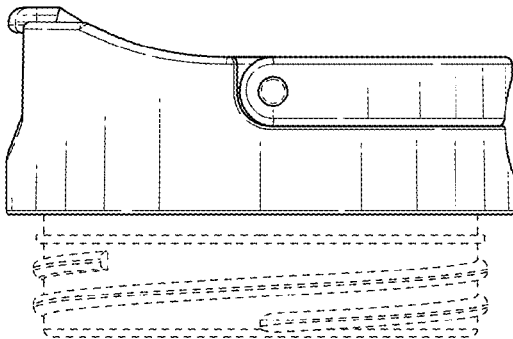


FIG. 10

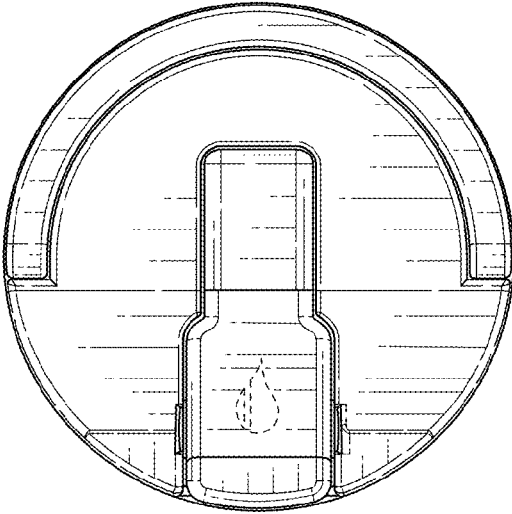


FIG. 11

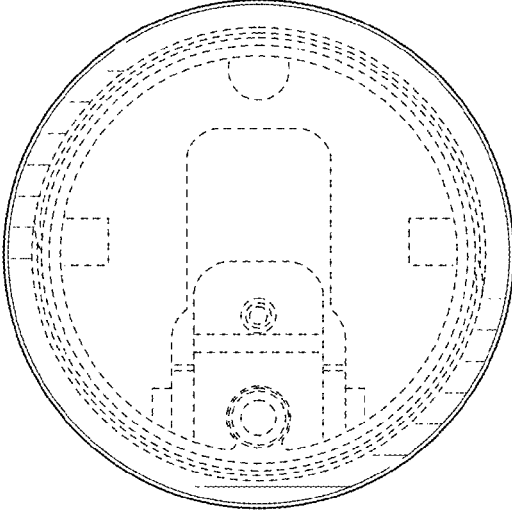


FIG. 12