



(12) **United States Design Patent**  
**McGrath**

(10) **Patent No.:** **US D942,851 S**  
(45) **Date of Patent:** **\*\* Feb. 8, 2022**

- (54) **COSMETICS BOX**
- (71) Applicant: **Pat McGrath Cosmetics LLC**, New York, NY (US)
- (72) Inventor: **Patricia McGrath**, New York, NY (US)
- (73) Assignee: **Pat McGrath Cosmetics LLC**, New York, NY (US)

- D627,634 S \* 11/2010 Chung ..... D9/423
- D698,642 S \* 2/2014 Tawada ..... D9/423
- D736,456 S \* 8/2015 Liu ..... D27/189
- D748,466 S \* 2/2016 Martin ..... D9/420
- D775,944 S \* 1/2017 Marchitto ..... B65D 85/1048  
D9/414
- D789,782 S \* 6/2017 Kahawaiolaa ..... D9/414
- D821,866 S \* 7/2018 Scotti ..... D9/420
- D863,953 S \* 10/2019 Schnakenberg ..... D9/423
- D877,972 S \* 3/2020 Kahawaiolaa ..... D27/101

(\*\*) Term: **15 Years**

(21) Appl. No.: **29/721,907**

(22) Filed: **Jan. 24, 2020**

(30) **Foreign Application Priority Data**

Jul. 25, 2019 (EM) ..... 006648135-0005

(51) **LOC (13) Cl.** ..... **09-03**

(52) **U.S. Cl.**  
USPC ..... **D9/420**

(58) **Field of Classification Search**  
USPC ..... D9/420, 432, 423, 414; D27/101, 189,  
D27/186  
CPC ..... B65D 85/1048; B65D 75/5838; B65D  
85/10484; B65D 85/1045; B65D 49/02;  
B65D 5/662; B65D 5/5425  
See application file for complete search history.

(56) **References Cited**

**U.S. PATENT DOCUMENTS**

- 4,300,676 A \* 11/1981 Focke ..... B65D 75/5838  
206/264
- D355,275 S \* 2/1995 Focke ..... D27/186
- D393,924 S \* 4/1998 Wright ..... D27/189
- D575,636 S \* 8/2008 Krautter ..... D9/420
- D594,322 S \* 6/2009 Blick ..... D9/423
- D594,596 S \* 6/2009 Mitten ..... D27/189
- D618,544 S \* 6/2010 Collins ..... D9/420
- D618,545 S \* 6/2010 Toinet ..... D9/423

**OTHER PUBLICATIONS**

“Custom cigarette boxes” reference dated Sep. 27, 2021 on the internet at: [https://www.urgentpackagings.com/cigarette-boxes.\\*](https://www.urgentpackagings.com/cigarette-boxes.*)  
(Continued)

*Primary Examiner* — Rhea Shields  
(74) *Attorney, Agent, or Firm* — Ziegler IP Law Group, LLC

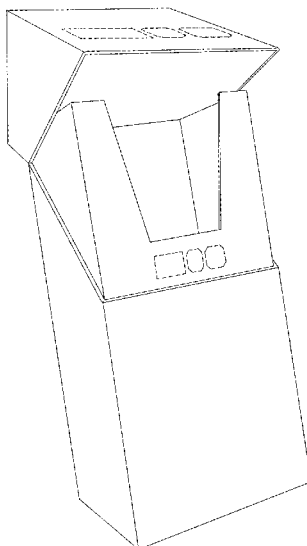
(57) **CLAIM**

The ornamental design for a cosmetics box, as shown and described.

**DESCRIPTION**

FIG. 1 is a perspective view of a cosmetics box showing the new design;  
FIG. 2 is a perspective view of the cosmetics box of FIG. 1 with the top or cover portion in an open state;  
FIG. 3 is a front view of the cosmetics box of FIG. 1;  
FIG. 4 is a back view thereof;  
FIG. 5 is a side view thereof;  
FIG. 6 is another side view thereof;  
FIG. 7 is a top view thereof; and,  
FIG. 8 is a bottom view thereof.  
In the drawings the broken lines are for the purpose of illustrating portions of the cosmetics box that form no part of the claimed design.

**1 Claim, 8 Drawing Sheets**



(56)

**References Cited**

## U.S. PATENT DOCUMENTS

D882,394 S \* 4/2020 Griffin ..... D9/420  
D909,865 S \* 2/2021 Yeung ..... D9/432  
2006/0091026 A1\* 5/2006 Mitten ..... B65D 85/1045  
206/273  
2011/0068155 A1\* 3/2011 Yoshimura ..... B65D 5/5425  
229/117.27  
2014/0151251 A1\* 6/2014 Lena ..... B65D 5/662  
206/268  
2016/0368645 A1\* 12/2016 Buse ..... B65B 49/02  
2017/0088341 A1\* 3/2017 Fallon ..... B65D 85/1045  
2017/0107047 A1\* 4/2017 Ruthemeier ..... B65D 85/10484

## OTHER PUBLICATIONS

“Wholesale cigarette boxes” reference dated Sep. 27, 2021 on the internet at: <https://www.pinterest.com/pin/87538786495106851/>.\*

“Cassette tapes . . .” reference dated Sep. 27, 2021 on the internet at: <https://www.bandcds.co.uk/cassettes/cassette-tapes-in-cigarette-style-cases/>.\*

“cigarette box template . . .” reference dated Sep. 27, 2021 on the internet at: <https://www.etsy.com/listing/916633388/cigarette-box-template-cigarette-pack>.\*

“Hard box full . . .” reference dated Sep. 27, 2021 on the internet at: <https://www.amazon.com/Hard-Full-Cigarette-Assorted-Colors/dp/B00478LXUW>.\*

\* cited by examiner

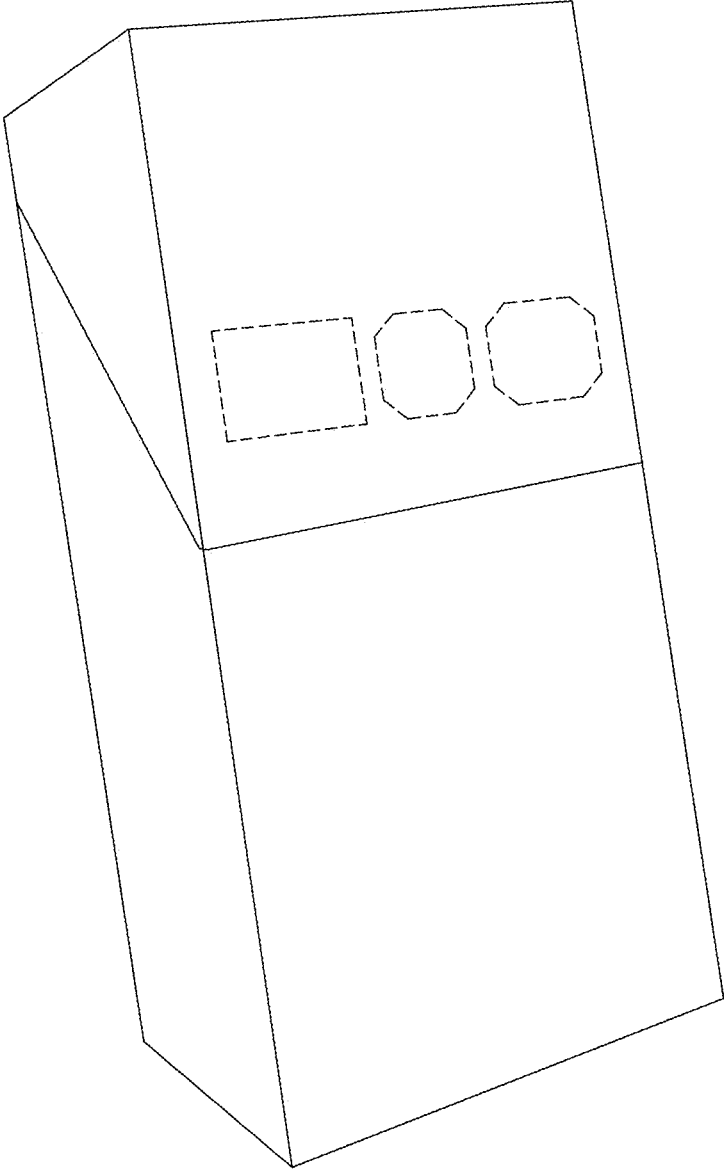


FIG. 1

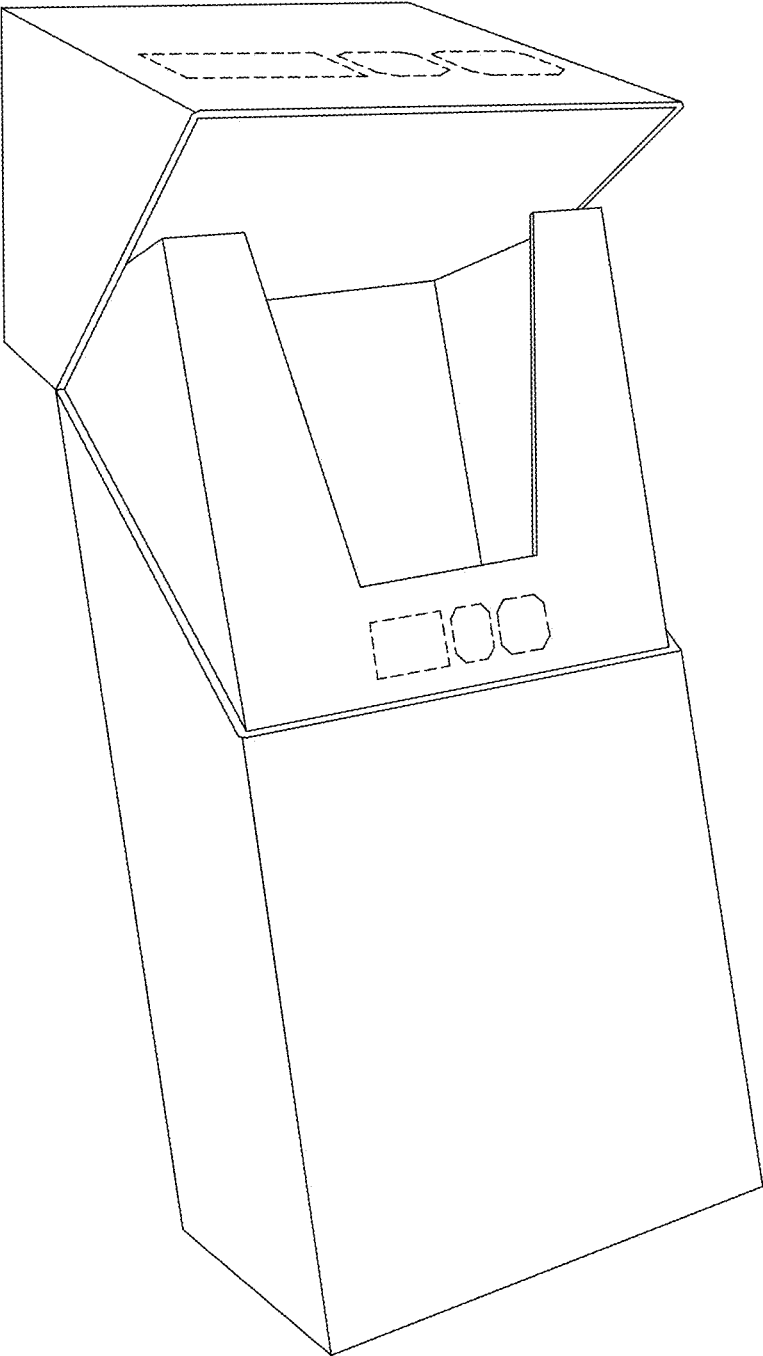


FIG. 2

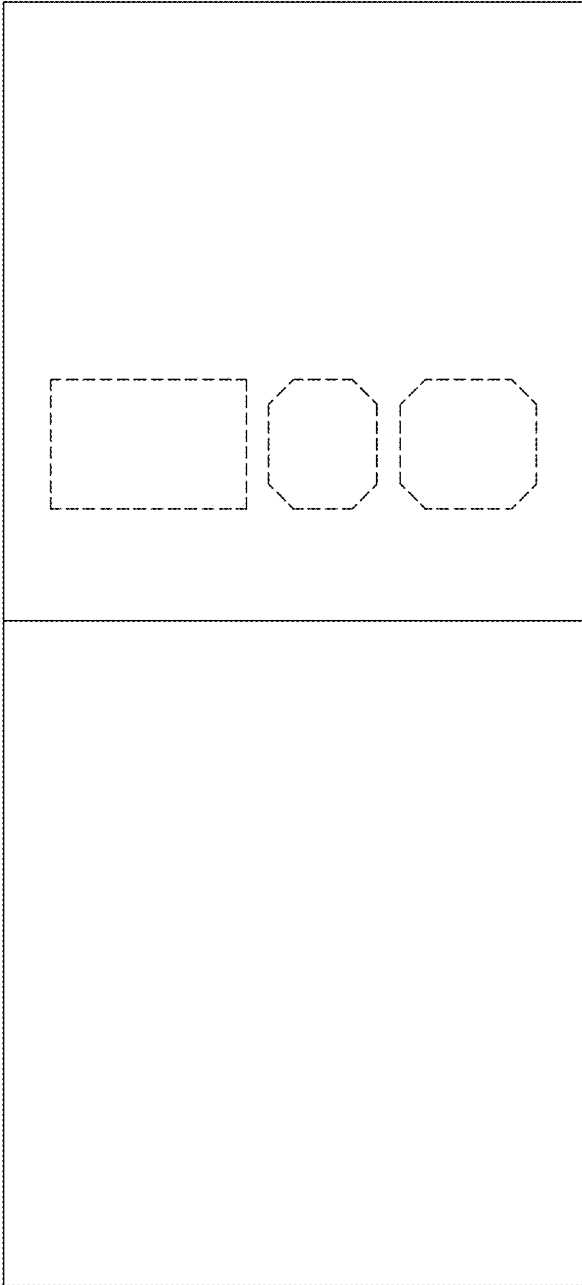


FIG. 3

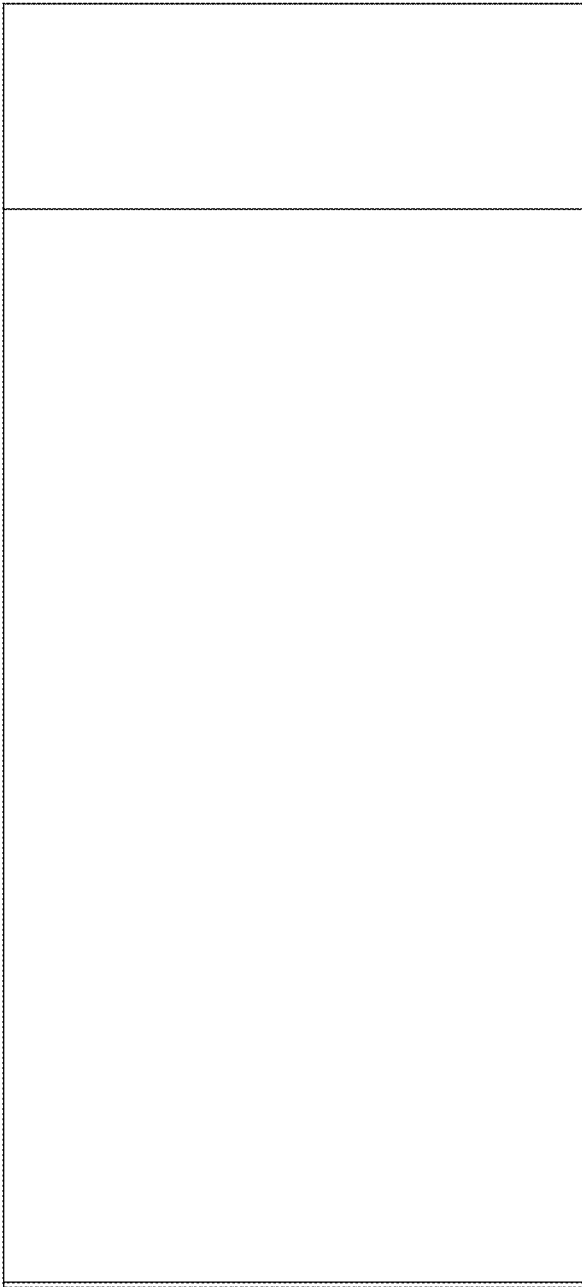


FIG. 4

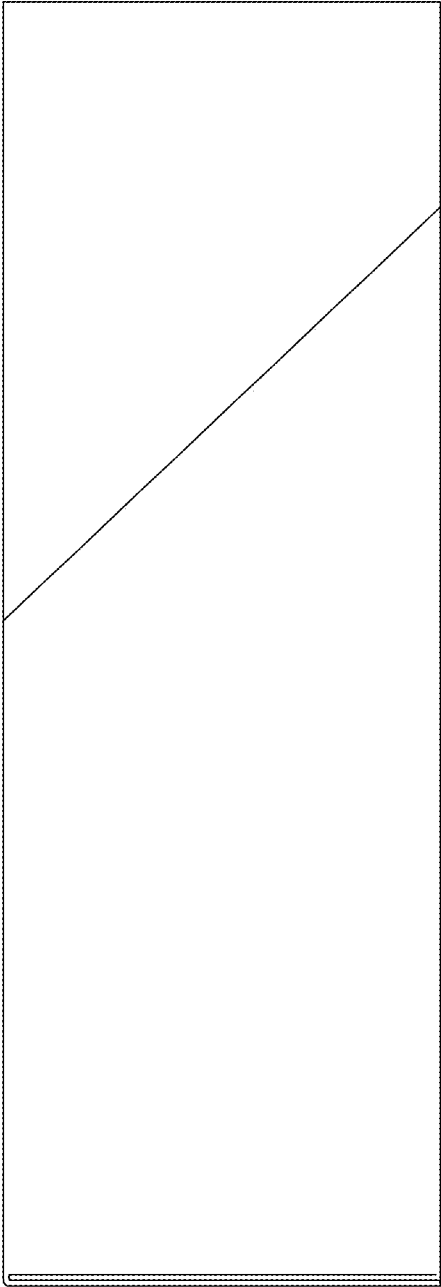


FIG. 5

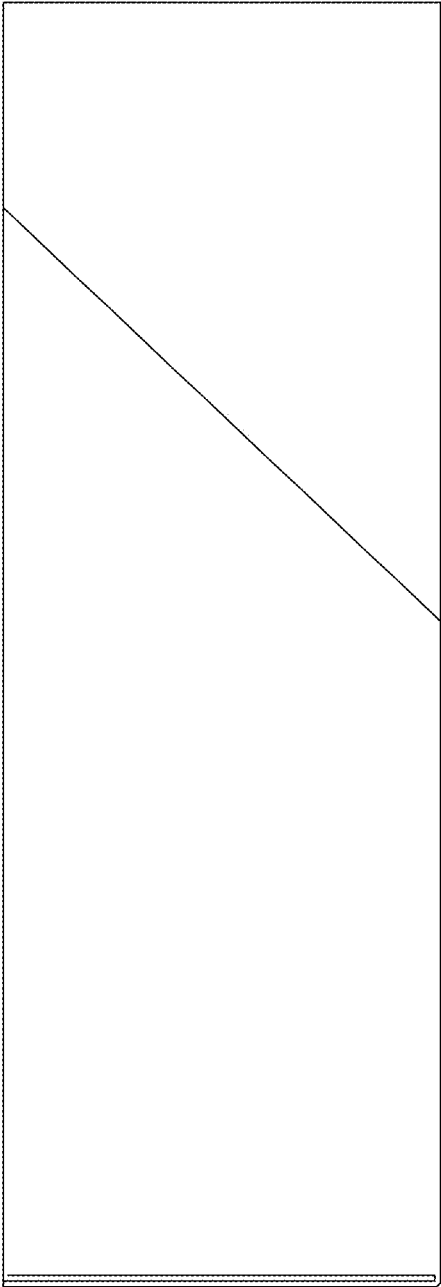
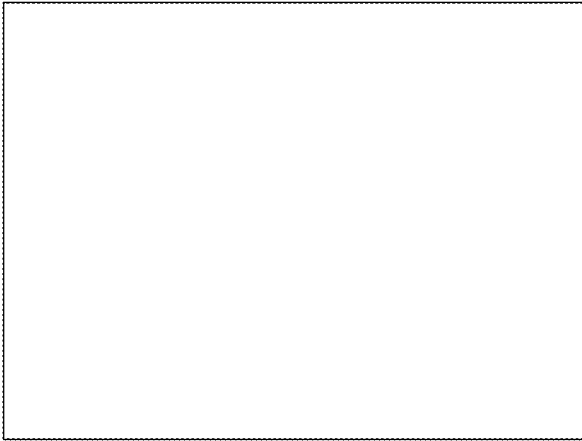
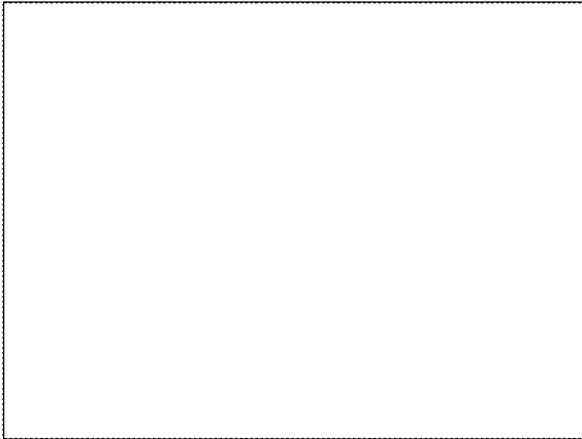


FIG. 6





**FIG. 7**



**FIG. 8**