

(19) World Intellectual Property Organization
International Bureau



(43) International Publication Date
3 June 2004 (03.06.2004)

PCT

(10) International Publication Number
WO 2004/047478 A3

(51) International Patent Classification⁷: H04Q 7/38, H04L 12/56

(21) International Application Number: PCT/IB2003/005125

(22) International Filing Date: 13 November 2003 (13.11.2003)

(25) Filing Language: English

(26) Publication Language: English

(30) Priority Data:
60/426,382 15 November 2002 (15.11.2002) US
10/345,969 17 January 2003 (17.01.2003) US

(71) Applicant: NOKIA CORPORATION [FI/FI]; Keilalahdentie 4, FIN-02150 Espoo (FI).

(72) Inventors: ELORANTA, Jaana; Malkapolku 4A, FIN-00630 Helsinki (FI). GULBANI, Giorgi; Kyyhkysmäki 13 B 21, FIN-02600 Espoo (FI).

(74) Agents: LESON, Thomas, Johannes, Alois et al.; TBK-Patent, Bavariaring 4-6, 80336 München (DE).

(81) Designated States (national): AE, AG, AL, AM, AT, AU, AZ, BA, BB, BG, BR, BY, BZ, CA, CH, CN, CO, CR, CU, CZ, DE, DK, DM, DZ, EC, EE, ES, FI, GB, GD, GE, GH, GM, HR, HU, ID, IL, IN, IS, JP, KE, KG, KP, KR, KZ, LC, LK, LR, LS, LT, LU, LV, MA, MD, MG, MK, MN, MW, MX, MZ, NI, NO, NZ, OM, PG, PH, PL, PT, RO, RU, SC, SD, SE, SG, SK, SL, SY, TJ, TM, TN, TR, TT, TZ, UA, UG, UZ, VC, VN, YU, ZA, ZM, ZW.

(84) Designated States (regional): ARIPO patent (BW, GH, GM, KE, LS, MW, MZ, SD, SL, SZ, TZ, UG, ZM, ZW), Eurasian patent (AM, AZ, BY, KG, KZ, MD, RU, TJ, TM), European patent (AT, BE, BG, CH, CY, CZ, DE, DK, EE, ES, FI, FR, GB, GR, HU, IE, IT, LU, MC, NL, PT, RO, SE, SI, SK, TR), OAPI patent (BF, BJ, CF, CG, CI, CM, GA, GN, GQ, GW, ML, MR, NE, SN, TD, TG).

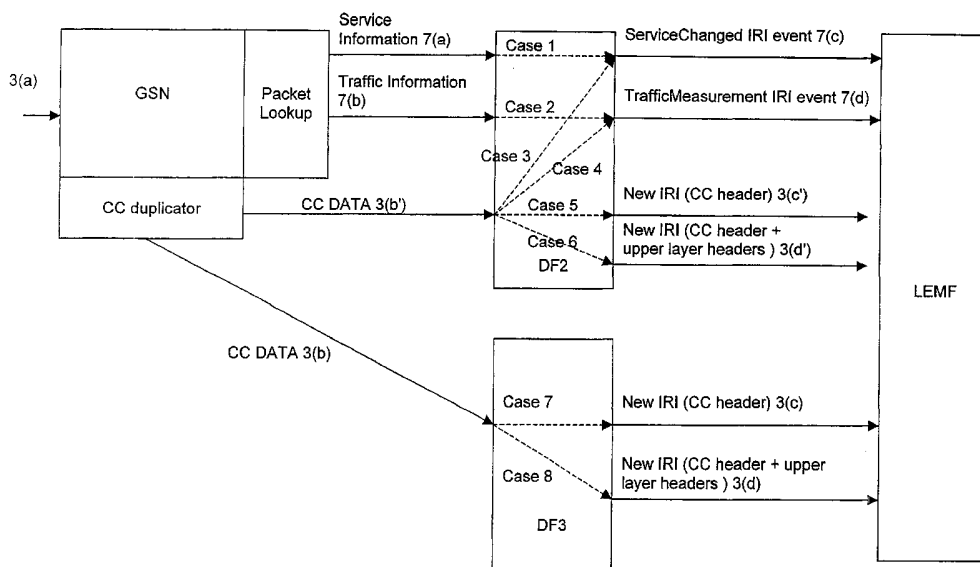
Published:

- with international search report
- before the expiration of the time limit for amending the claims and to be republished in the event of receipt of amendments

(88) Date of publication of the international search report: 7 October 2004

[Continued on next page]

(54) Title: METHOD AND SYSTEM FOR HANDLING CONNECTION INFORMATION IN A COMMUNICATION NETWORK



(57) Abstract: The invention proposes a method for handling connection information in a communication network, comprising the steps of intercepting a data packet sent from/to a target (S1), extracting a header of the intercepted data packet (S4), and sending the extracted header to a monitoring entity (S5). Instead of extracting the header and forwarding it, the method may alternatively comprise the steps of examining the intercepted data packets with respect to specific information, determining whether an predetermined event with respect to the specific information has occurred, and, if the predetermined event has occurred, sending a corresponding message to a monitoring entity. In this way, a more flexible handling of connection information is possible.

WO 2004/047478 A3



For two-letter codes and other abbreviations, refer to the "Guidance Notes on Codes and Abbreviations" appearing at the beginning of each regular issue of the PCT Gazette.

INTERNATIONAL SEARCH REPORT

International Application No
PCT/IB 03/05125

A. CLASSIFICATION OF SUBJECT MATTER
IPC 7 H04Q7/38 H04L12/56

According to International Patent Classification (IPC) or to both national classification and IPC

B. FIELDS SEARCHED

Minimum documentation searched (classification system followed by classification symbols)
IPC 7 H04Q H04L

Documentation searched other than minimum documentation to the extent that such documents are included in the fields searched

Electronic data base consulted during the international search (name of data base and, where practical, search terms used)

EPO-Internal, WPI Data, INSPEC

C. DOCUMENTS CONSIDERED TO BE RELEVANT

Category °	Citation of document, with indication, where appropriate, of the relevant passages	Relevant to claim No.
X	"Telecommunications security; Lawful Interception (LI); Description of GPRS HI3" ETSI TR 101 876 V1.1.1, January 2001 (2001-01), pages 1-15, XP002225046	1, 3, 4, 6-10, 21, 23, 24, 26-30
Y	page 8 -page 9 ---	2, 5, 22, 25
Y	WO 99/17499 A (NOKIA TELECOMMUNICATIONS OY ;HAUMONT SERGE (FI)) 8 April 1999 (1999-04-08) abstract page 4, line 17 -page 5, line 25 figures --- -/--	2, 5, 22, 25

Further documents are listed in the continuation of box C.

Patent family members are listed in annex.

° Special categories of cited documents :

- "A" document defining the general state of the art which is not considered to be of particular relevance
- "E" earlier document but published on or after the international filing date
- "L" document which may throw doubts on priority claim(s) or which is cited to establish the publication date of another citation or other special reason (as specified)
- "O" document referring to an oral disclosure, use, exhibition or other means
- "P" document published prior to the international filing date but later than the priority date claimed

- "T" later document published after the international filing date or priority date and not in conflict with the application but cited to understand the principle or theory underlying the invention
- "X" document of particular relevance; the claimed invention cannot be considered novel or cannot be considered to involve an inventive step when the document is taken alone
- "Y" document of particular relevance; the claimed invention cannot be considered to involve an inventive step when the document is combined with one or more other such documents, such combination being obvious to a person skilled in the art.
- "&" document member of the same patent family

Date of the actual completion of the international search

9 July 2004

Date of mailing of the international search report

03.08.04

Name and mailing address of the ISA
European Patent Office, P.B. 5818 Patentlaan 2
NL - 2280 HV Rijswijk
Tel. (+31-70) 340-2040, Tx. 31 651 epo nl,
Fax: (+31-70) 340-3016

Authorized officer

Aguilar Cabarrus, E

INTERNATIONAL SEARCH REPORT

International Application No

PCT/IB 03/05125

C.(Continuation) DOCUMENTS CONSIDERED TO BE RELEVANT		
Category °	Citation of document, with indication, where appropriate, of the relevant passages	Relevant to claim No.
X	<p>"Universal Mobile Telecommunications System (UMTS); 3G Security; Handover interface for Lawful Interception (LI) (3GPP TS 33.108 version 5.1.0 Release 5)" ETSI TS 133 108 V5.1.0, TECHNICAL SPECIFICATION, September 2002 (2002-09), pages 1, 47-55, XP002272509 cited in the application page 47 -page 48</p> <p style="text-align: center;">---</p>	1,3,4, 6-10,21, 23,24, 26-30
X	<p>"Universal Mobile Telecommunications System (UMTS);3G security; Lawful interception architecture and functions (3GPP TS 33.107 version 5.4.0 Release 5); ETSI TS 133 107" ETSI STANDARDS, EUROPEAN TELECOMMUNICATIONS STANDARDS INSTITUTE, SOPHIA-ANTIPO, FR, vol. 3-SA3, no. V540, September 2002 (2002-09), XP014010237 ISSN: 0000-0001 page 8 -page 33</p> <p style="text-align: center;">---</p>	11-20, 31-44
A	<p>"Telecommunications security;Lawful Interception (LI); Handover interface for the lawful interception of telecommunications traffic; ETSI ES 201 671" ETSI STANDARDS, EUROPEAN TELECOMMUNICATIONS STANDARDS INSTITUTE, SOPHIA-ANTIPO, FR, vol. SEC;SEC-LI, no. V211, September 2001 (2001-09), XP002287931 ISSN: 0000-0001 page 17 -page 100</p> <p style="text-align: center;">---</p>	11-20, 31-44
X	<p>DE 101 17 998 A (T MOBILE DEUTSCHLAND GMBH) 24 October 2002 (2002-10-24) abstract paragraph '0040! - paragraph '0076! figures</p> <p style="text-align: center;">---</p>	45-50
A	<p>DE 100 61 128 A (T MOBILE DEUTSCHLAND GMBH) 13 June 2002 (2002-06-13) abstract paragraph '0036! - paragraph '0051! figures</p> <p style="text-align: center;">-----</p>	45-50

INTERNATIONAL SEARCH REPORT

International application No.
PCT/IB 03/05125

Box I Observations where certain claims were found unsearchable (Continuation of item 1 of first sheet)

This International Search Report has not been established in respect of certain claims under Article 17(2)(a) for the following reasons:

1. Claims Nos.:
because they relate to subject matter not required to be searched by this Authority, namely:

2. Claims Nos.:
because they relate to parts of the International Application that do not comply with the prescribed requirements to such an extent that no meaningful International Search can be carried out, specifically:

3. Claims Nos.:
because they are dependent claims and are not drafted in accordance with the second and third sentences of Rule 6.4(a).

Box II Observations where unity of invention is lacking (Continuation of item 2 of first sheet)

This International Searching Authority found multiple inventions in this international application, as follows:

see additional sheet

As a result of the prior review under R. 40.2(e) PCT,
no additional fees are to be refunded.

1. As all required additional search fees were timely paid by the applicant, this International Search Report covers all searchable claims.
2. As all searchable claims could be searched without effort justifying an additional fee, this Authority did not invite payment of any additional fee.
3. As only some of the required additional search fees were timely paid by the applicant, this International Search Report covers only those claims for which fees were paid, specifically claims Nos.:
4. No required additional search fees were timely paid by the applicant. Consequently, this International Search Report is restricted to the invention first mentioned in the claims; it is covered by claims Nos.:

Remark on Protest

The additional search fees were accompanied by the applicant's protest.

No protest accompanied the payment of additional search fees.

FURTHER INFORMATION CONTINUED FROM PCT/ISA/ 210

This International Searching Authority found multiple (groups of) inventions in this international application, as follows:

1. Claims: 1-10, 21-30

Invention I is directed to a method and to a corresponding system for handling connection information in a communication network in which a data packet is intercepted and a header for the intercepted data packet is composed and sent to a monitoring entity.

2. Claims: 11-20, 31-44

Invention II is directed to a method and to a corresponding system for handling connection information in a communication network in which data packets are intercepted and examined with respect to specific information. It is determined whether a predetermined event with respect to the specific information has occurred and if yes, a message is sent to a monitoring entity.

3. Claims: 45-50

Invention III is directed to a method and to a corresponding system for handling connection information in a communication network in which a subscriber specific database is accessed, information with respect to specific information is extracted and sent to a monitoring entity.

INTERNATIONAL SEARCH REPORT

Information on patent family members

International Application No

PCT/IB 03/05125

Patent document cited in search report		Publication date	Patent family member(s)	Publication date
WO 9917499	A	08-04-1999	FI 973806 A	27-03-1999
			AT 268964 T	15-06-2004
			AU 9351598 A	23-04-1999
			CA 2304172 A1	08-04-1999
			CN 1110171 B	28-05-2003
			EP 1018241 A2	12-07-2000
			WO 9917499 A2	08-04-1999
			HK 1031494 A1	31-10-2003
			JP 2001518744 T	16-10-2001
			TW 429710 B	11-04-2001
			US 6654589 B1	25-11-2003
DE 10117998	A	24-10-2002	DE 10117998 A1	24-10-2002
			WO 02085041 A2	24-10-2002
			EP 1378108 A2	07-01-2004
DE 10061128	A	13-06-2002	DE 10061128 A1	13-06-2002
			AU 2947002 A	18-06-2002
			WO 0247353 A2	13-06-2002
			EP 1340353 A2	03-09-2003