



US00D453155S

(12) **United States Design Patent**
Michel

(10) **Patent No.:** **US D453,155 S**

(45) **Date of Patent:** **** Jan. 29, 2002**

(54) **SUPPORT FOR PORTABLE TELEPHONES
OR SIMILAR DEVICES**

D365,461 S * 12/1995 Falter D6/406.4
D373,124 S * 8/1996 Behar et al. D14/148
D386,495 S * 11/1997 Schmoll D14/149
D412,162 S * 7/1999 Tal et al. D14/447

(75) Inventor: **Philippe Michel**, Hyeres (FR)

(73) Assignee: **Supportel S.A.R.L.**, Hyeres (FR)

(**) Term: **14 Years**

(21) Appl. No.: **29/138,457**

(22) Filed: **Mar. 15, 2001**

(30) **Foreign Application Priority Data**

Sep. 15, 2000 (XH) DM/055278

(51) **LOC (7) Cl.** **14-03**

(52) **U.S. Cl.** **D14/253**

(58) **Field of Search** D14/137, 434,
D14/138, 447, 148, 147, 149-151, 140-142,
240, 241, 251, 253, 451; 379/426, 449,
419, 420.04, 428.01, 440, 454, 455, 446;
455/550-575, 90; D13/107, 108; 320/110,
113, 114, 115; D3/218; D6/419; 211/42

(56) **References Cited**

U.S. PATENT DOCUMENTS

D215,536 S * 10/1969 Larsen D6/601
D227,117 S * 6/1973 Breger D14/251
4,046,295 A * 9/1977 Eichler 224/242
D250,974 S * 1/1979 Donley et al. D3/313
D277,662 S * 2/1985 Huntington et al. D13/107
D316,416 S * 4/1991 Cant et al. D14/252
5,052,943 A * 10/1991 Davis 439/357
D322,061 S * 12/1991 Watanabe D13/108
D328,055 S * 7/1992 Tien D13/107
D335,861 S * 5/1993 Tattari D13/108
D344,708 S * 3/1994 Ho D13/108
5,347,208 A * 9/1994 Iida 320/113
D353,371 S * 12/1994 Delhaes D14/149
D362,565 S * 9/1995 Tubbs et al. D6/419

FOREIGN PATENT DOCUMENTS

EP 580174 * 7/1992
EP 701357 * 3/1996
JP 07315138 * 5/1994

* cited by examiner

Primary Examiner—Jeffrey Asch

(74) *Attorney, Agent, or Firm*—James C. Lydon

(57) **CLAIM**

The ornamental design for a support for portable telephones or similar devices, as shown and described.

DESCRIPTION

FIG. 1 is a front perspective view of my invention, which comprises a support for portable telephones or similar devices.

FIG. 2 is a side view of my support for portable telephones or similar devices shown in FIG. 1.

FIG. 3 is a bottom view of my support for portable telephones or similar devices shown in FIG. 1.

FIG. 4 is a first bottom perspective view of my support for portable telephones or similar devices shown in FIG. 1.

FIG. 5 is a back view of my support for portable telephones or similar devices shown in FIG. 1.

FIG. 6 is a second bottom perspective view of my support for portable telephones or similar devices shown in FIG. 1.

FIG. 7 is a top view of my support for portable telephones or similar devices shown in FIG. 1.

FIG. 8 is a back perspective view of my support for portable telephones or similar devices shown in FIG. 1; and,

FIG. 9 is a front view of my support for portable telephones or similar devices shown in FIG. 1.

1 Claim, 5 Drawing Sheets

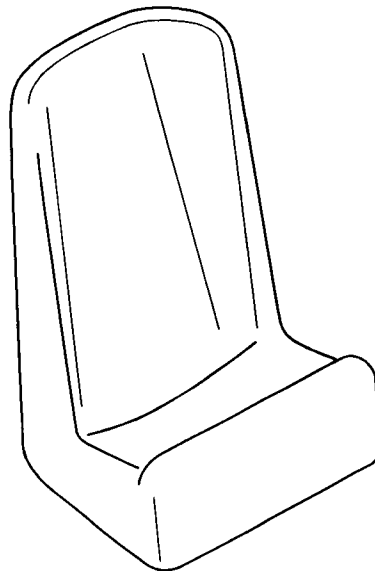
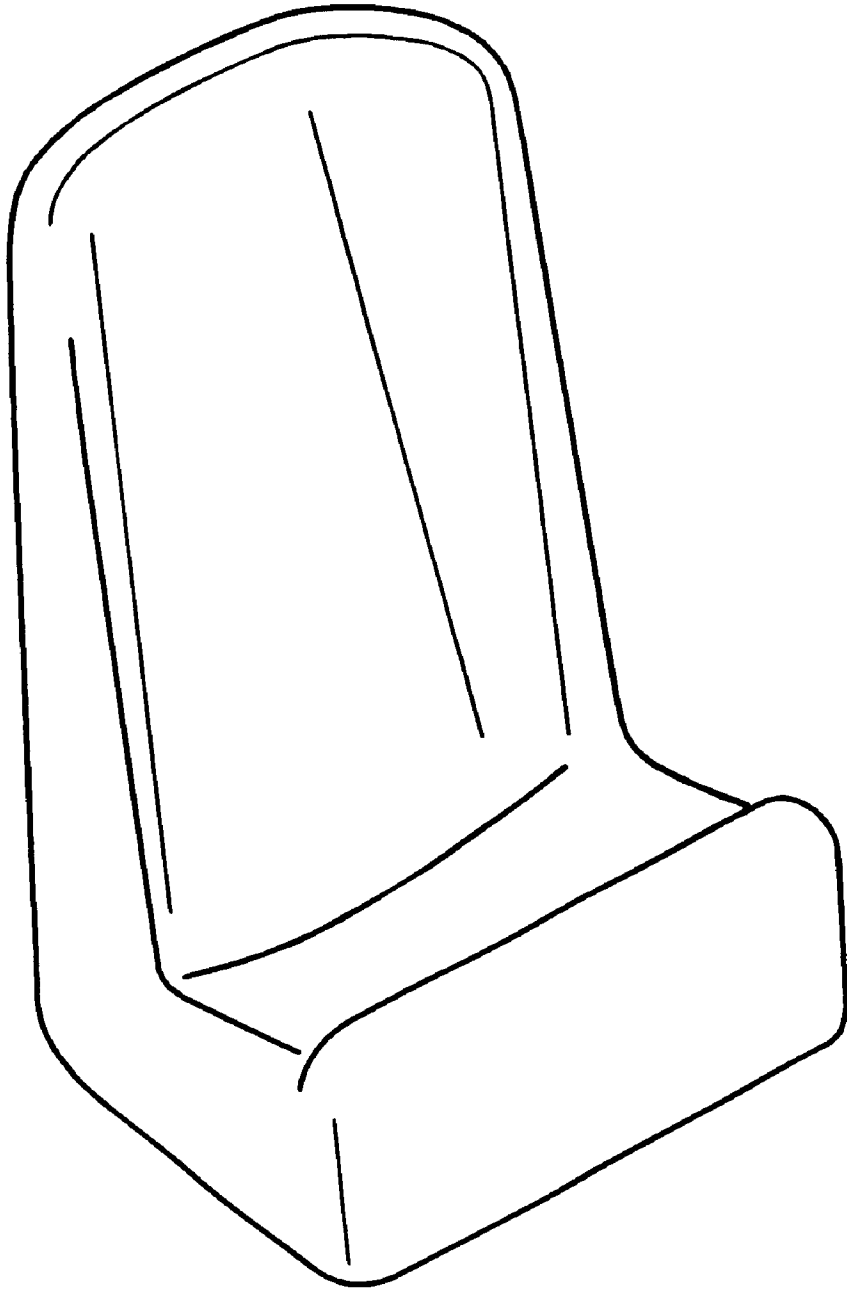


Fig. 1



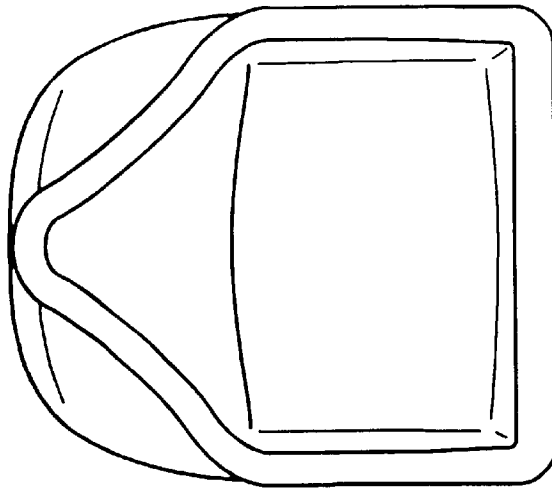


Fig. 3

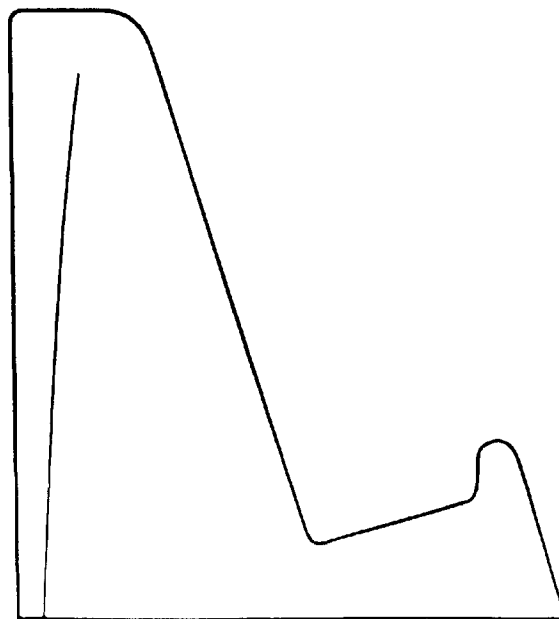


Fig. 2

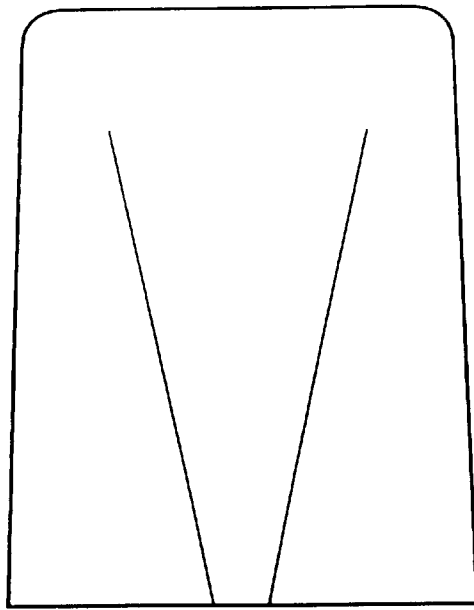


Fig. 5

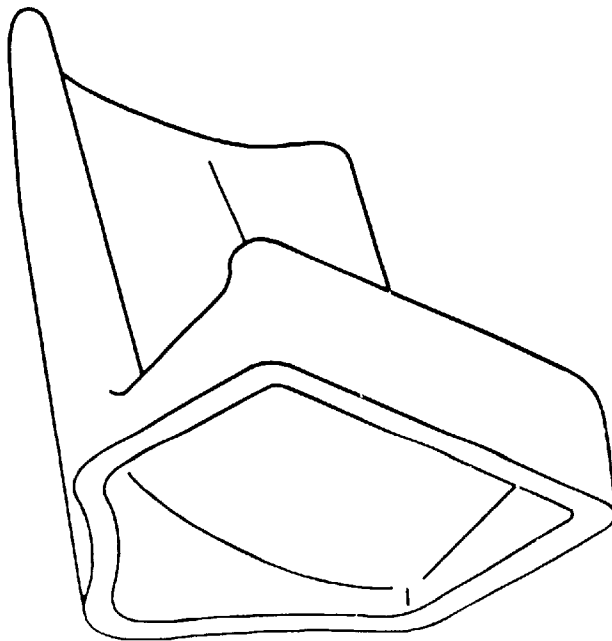


Fig. 4

Fig. 6

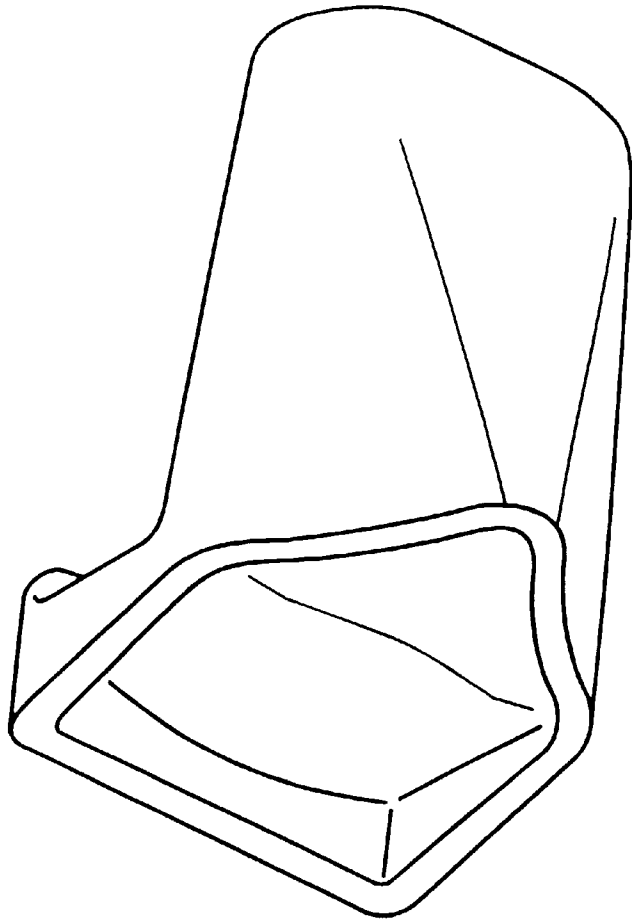


Fig. 7

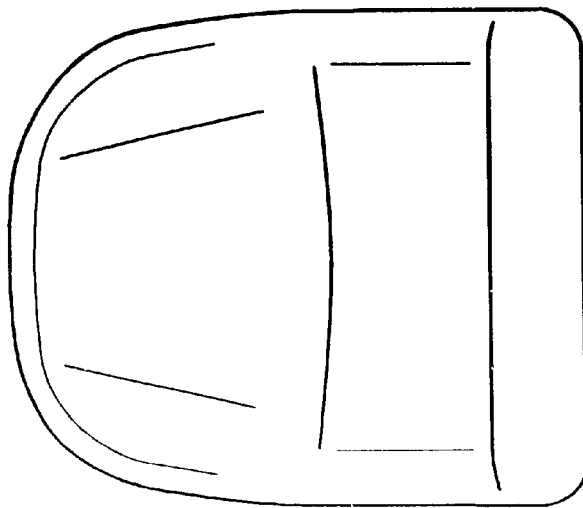


Fig. 8

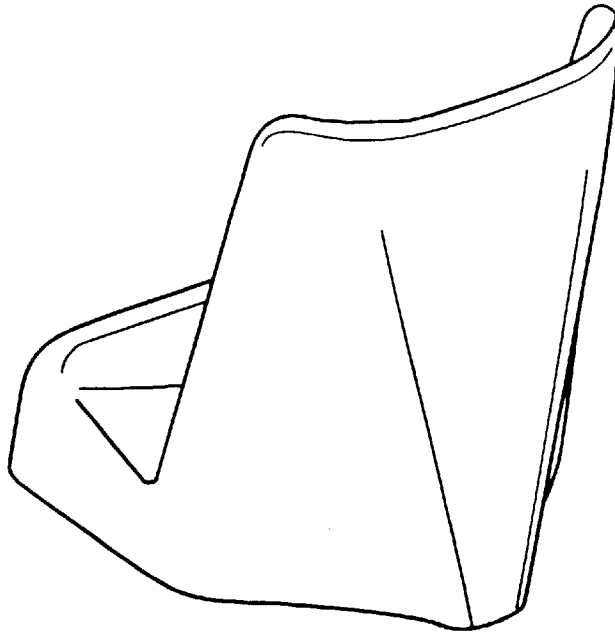


Fig. 9

