



US00D810720S

(12) **United States Design Patent**  
**Lee**

(10) **Patent No.:** **US D810,720 S**

(45) **Date of Patent:** **\*\* Feb. 20, 2018**

(54) **EARPHONE**

(71) Applicant: **Cirque Audio Technology Co., Ltd.**,  
Dongguan (CN)

(72) Inventor: **Mark Lee**, Dongguan (CN)

(73) Assignee: **CIRQUE AUDIO TECHNOLOGY**  
**CO., LTD.**, Dongguan (CN)

(\*\*) Term: **15 Years**

(21) Appl. No.: **29/589,272**

(22) Filed: **Dec. 29, 2016**

(30) **Foreign Application Priority Data**

Dec. 14, 2016 (CN) ..... 2016 3 0614777

(51) **LOC (11) Cl.** ..... **14-01**

(52) **U.S. Cl.**  
USPC ..... **D14/205**

(58) **Field of Classification Search**

USPC ..... D14/205, 223, 218; 181/129, 130, 135;  
379/430, 431; 381/380, 381, 74, 370;  
455/90.3, 575.1, 569.1

CPC ..... H04R 1/10; H04R 1/1041; H04R 1/105;  
H04R 1/1091; H04R 1/1016; H04R  
5/033; H04R 5/0335; H04R 1/1033

See application file for complete search history.

(56) **References Cited**

**U.S. PATENT DOCUMENTS**

D311,007 S \* 10/1990 Daido ..... D14/205  
D318,670 S \* 7/1991 Taniguchi ..... D14/205  
5,410,608 A \* 4/1995 Lucey ..... H04R 1/083  
381/360  
6,122,369 A \* 9/2000 Hwang ..... H04M 1/6058  
379/420.03  
D473,217 S \* 4/2003 Rivera ..... D14/223

D539,782 S \* 4/2007 Lee ..... D14/188  
D558,735 S \* 1/2008 Carr ..... D14/206  
D564,495 S \* 3/2008 Sasaki ..... D14/205  
D569,841 S \* 5/2008 Chung ..... D14/205  
D572,703 S \* 7/2008 Ledbetter ..... D14/205  
D578,508 S \* 10/2008 Wang ..... D14/206  
D582,389 S \* 12/2008 Bose ..... D14/205  
D582,889 S \* 12/2008 Bose ..... D14/205  
D584,284 S \* 1/2009 Carr ..... D14/206  
D599,778 S \* 9/2009 Ando ..... D14/205  
D605,170 S \* 12/2009 Keinanen ..... D14/205  
D605,628 S \* 12/2009 Ando ..... D14/205  
D637,998 S \* 5/2011 Brunner ..... D14/205  
7,949,127 B2 \* 5/2011 Pedersen ..... H04R 1/1066  
379/430  
D641,737 S \* 7/2011 Krauss ..... D14/205  
D645,458 S \* 9/2011 Silvestri ..... H04R 1/105  
D14/223  
8,073,181 B2 \* 12/2011 Bakalos ..... H04R 3/04  
381/103  
D652,822 S \* 1/2012 Lee ..... D14/223  
D659,117 S \* 5/2012 Krauss ..... D14/205  
D678,251 S \* 3/2013 Cantoni ..... D14/223  
D684,950 S \* 6/2013 Schaal ..... D14/205  
D684,953 S \* 6/2013 Schaal ..... D14/205

(Continued)

*Primary Examiner* — Paula Allen Greene

(74) *Attorney, Agent, or Firm* — Ming Chow; Sinorica,  
LLC

(57)

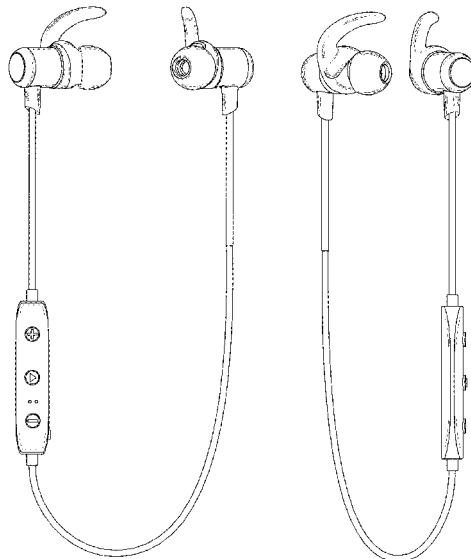
**CLAIM**

The ornamental design for an earphone, as shown and described.

**DESCRIPTION**

FIG. 1 is a front elevation view thereof;  
FIG. 2 is a rear elevation view thereof;  
FIG. 3 is left side view thereof;  
FIG. 4 is right side view thereof;  
FIG. 5 is a top plan view thereof; and,  
FIG. 6 is a bottom plan view thereof.

**1 Claim, 6 Drawing Sheets**



(56)

References Cited

U.S. PATENT DOCUMENTS

D685,750 S *	7/2013	Nakagawa	D13/168	D738,864 S *	9/2015	Lee	D14/223
D685,764 S *	7/2013	Coulter	D14/205	D739,852 S *	9/2015	Jiang	D14/240
D686,191 S *	7/2013	Schaal	D14/205	D741,299 S *	10/2015	Brunner	D14/223
8,477,062 B1 *	7/2013	Kanellis	G01S 13/95 340/979	D745,489 S *	12/2015	Bjelle	D14/205
D692,409 S *	10/2013	Takeno	D14/205	D747,291 S *	1/2016	Lee	D14/205
D695,265 S *	12/2013	Schaal	D14/205	D758,335 S *	6/2016	Lee	D14/138 G
D695,266 S *	12/2013	Schaal	D14/205	D758,355 S *	6/2016	Lee	D14/223
D695,267 S *	12/2013	Schaal	D14/205	D760,189 S *	6/2016	Loh Jun Kern	D14/205
D698,750 S *	2/2014	Yoon	D14/205	D763,224 S *	8/2016	Silvestri	H04R 1/1016 D14/205
8,655,006 B2 *	2/2014	Aase	B29C 43/203 381/370	D764,436 S *	8/2016	Dryden	D14/205
8,743,533 B2 *	6/2014	Stanley	H01H 9/0228 361/679.01	D780,155 S *	2/2017	Levine	D14/205
D711,356 S *	8/2014	Yang	D14/223	D780,157 S *	2/2017	Uggla	D14/205
D712,884 S *	9/2014	Krauss	D14/205	D782,442 S *	3/2017	Chen	D14/205
D715,253 S *	10/2014	Lee	D14/205	D785,594 S *	5/2017	Zaihui	D14/205
8,909,899 B2 *	12/2014	Greiner	G06F 12/10 711/156	D786,216 S *	5/2017	Silva	D14/205
D722,040 S *	2/2015	Tan	D14/205	2009/0296975 A1 *	12/2009	Uchida	H04R 1/1091 381/370
D722,302 S *	2/2015	Lee	D14/205	2014/0133671 A1 *	5/2014	Son	H04R 5/0335 381/74
D725,625 S *	3/2015	Hsieh	D14/205	2014/0138150 A1 *	5/2014	Huang	H04R 1/1033 174/71 R
D726,145 S *	4/2015	Hsieh	D14/205	2014/0233746 A1 *	8/2014	Tanaka	H04R 1/1016 381/66
D727,279 S *	4/2015	Schaal	D14/205	2016/0073186 A1 *	3/2016	Searl	H04R 1/1016 381/380
D727,871 S *	4/2015	Orbach	D14/205	2016/0261946 A1 *	9/2016	Chen	H04R 1/1016

\* cited by examiner

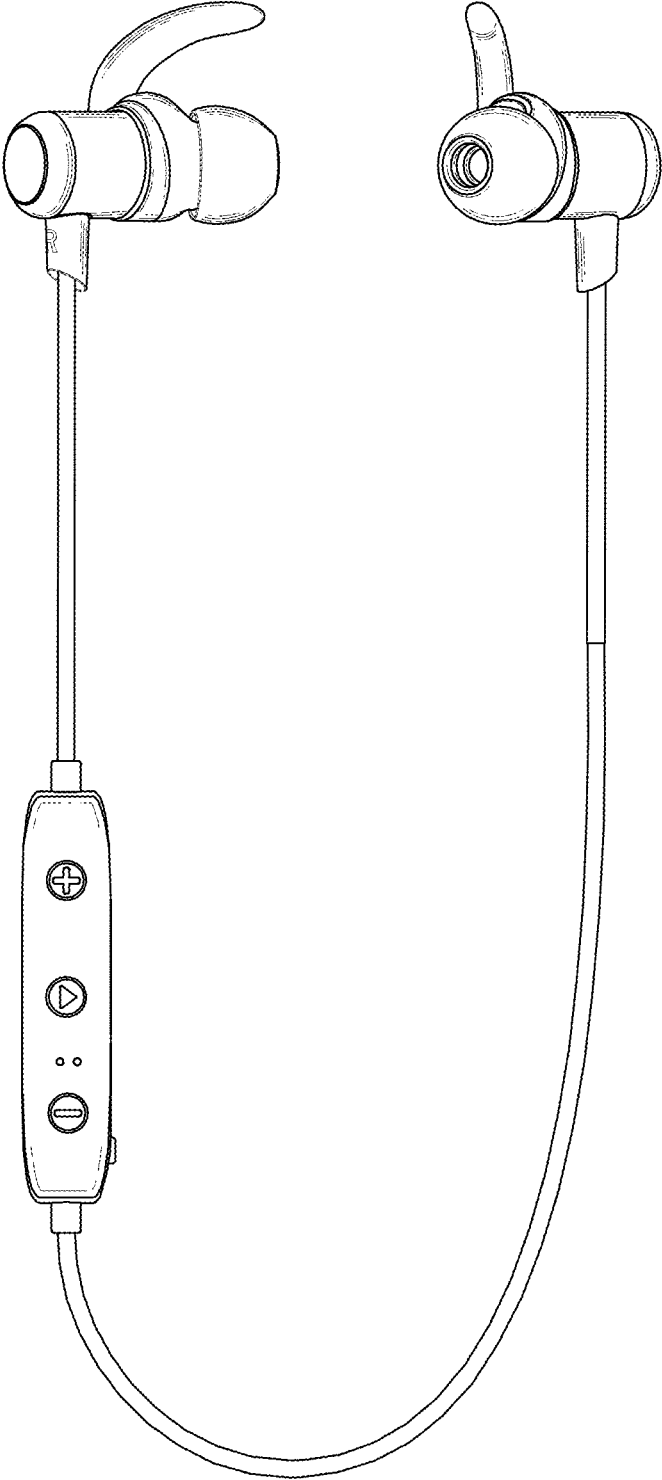


FIG.1

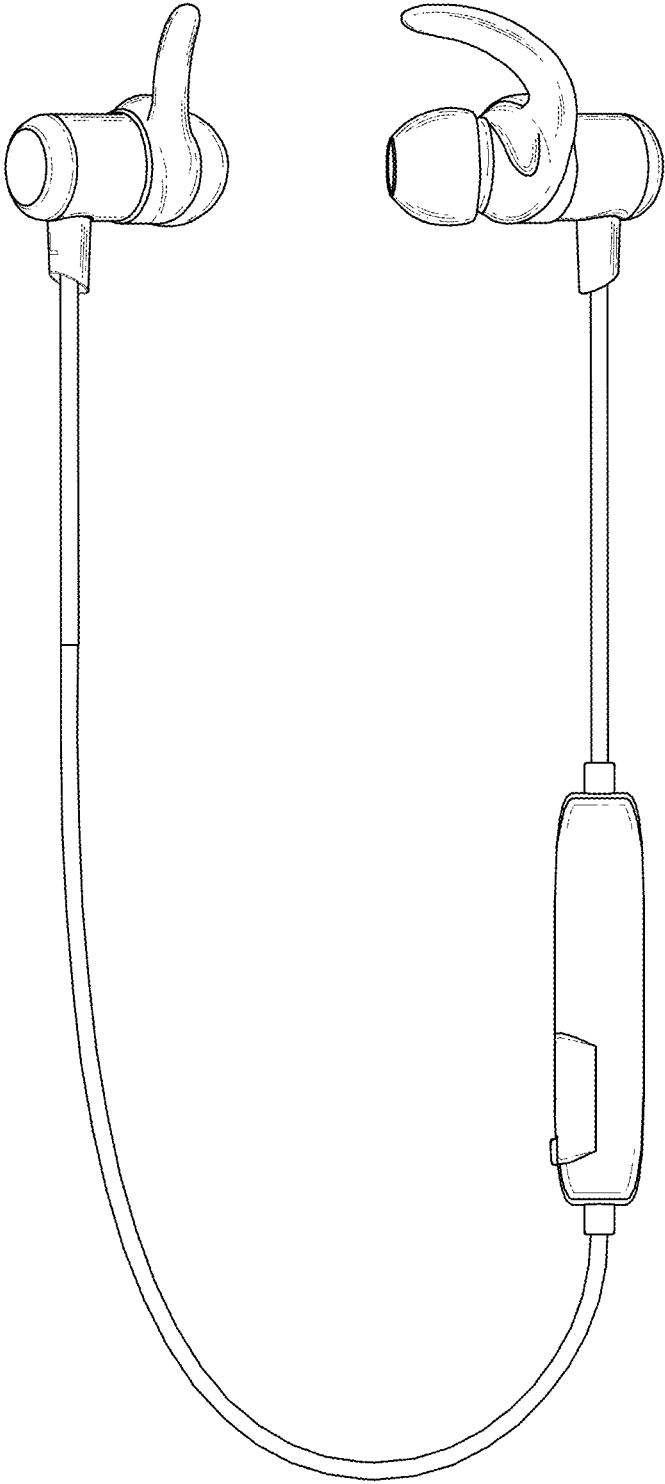


FIG.2

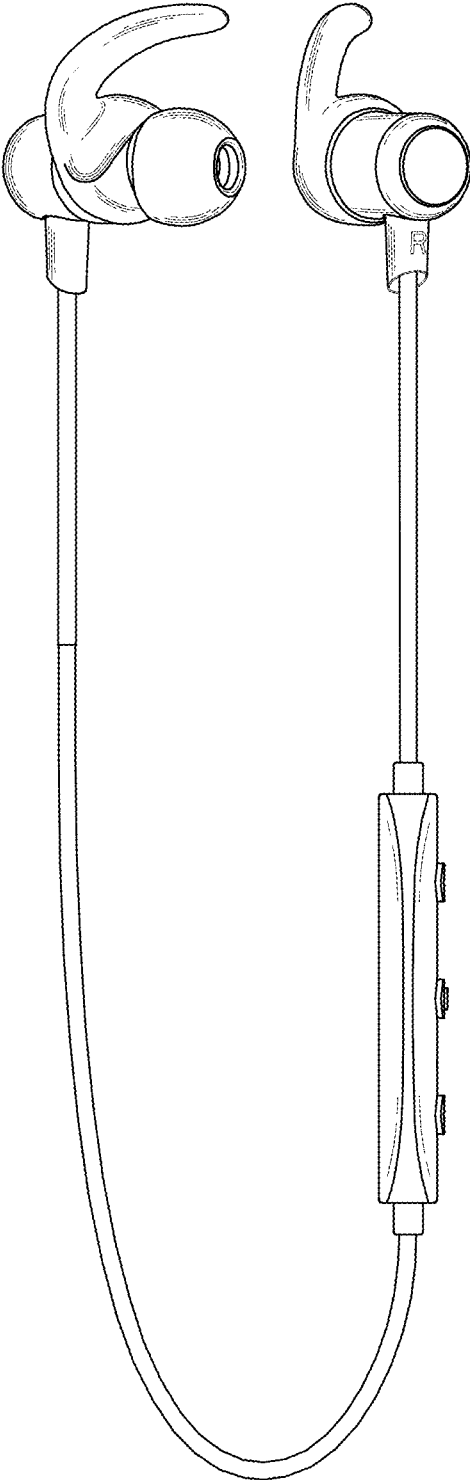


FIG.3

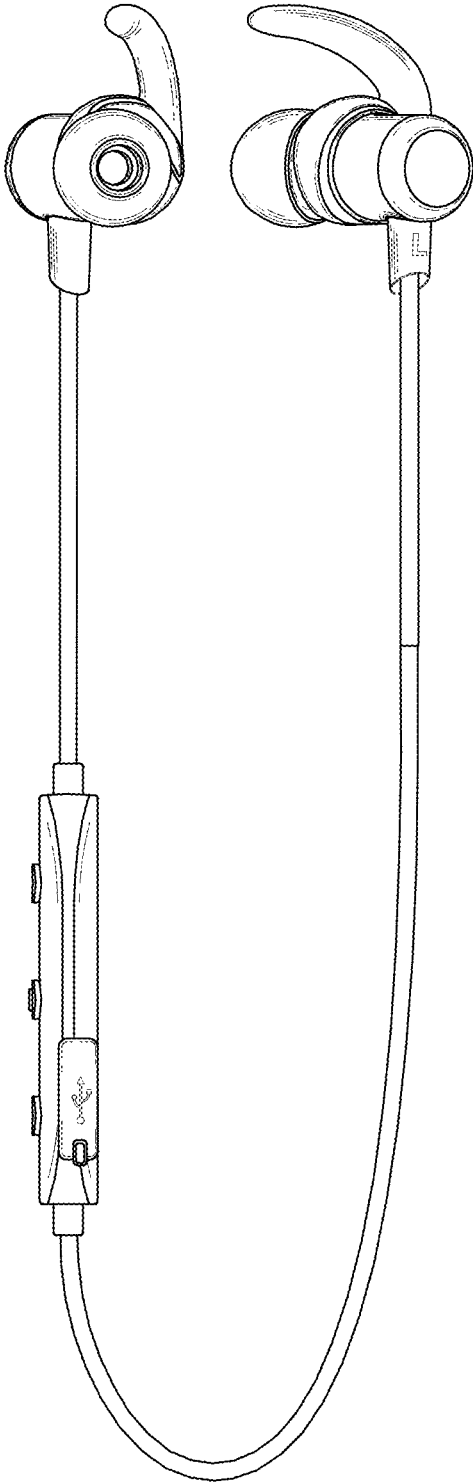


FIG.4

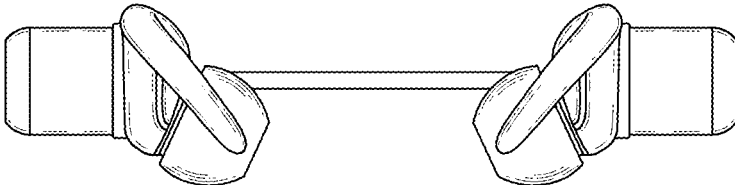


FIG.5

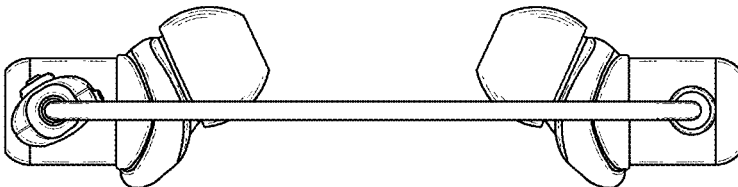


FIG.6