

(12) **UK Patent Application** (19) **GB** (11) **2 401 417** (13) **A**

(43) Date of Printing by UK Office **10.11.2004**

(21) Application No: **0418734.0**  
(22) Date of Filing: **15.01.2003**  
(30) Priority Data:  
(31) **10056600** (32) **25.01.2002** (33) **US**  
(86) International Application Data:  
**PCT/US2003/001151 En 15.01.2003**  
(87) International Publication Data:  
**WO2003/064905 En 07.08.2003**

(51) INT CL<sup>7</sup>:  
**F16K 31/04**  
(52) UK CL (Edition W ):  
**F2V VS42**  
(56) Documents Cited by ISA:  
**GB 2243669 A DE 001026148 B**  
**US 6152167 A US 3180075 A**  
**US 2913605 A**  
(58) Field of Search by ISA:  
INT CL<sup>7</sup> **F16K**  
Other: **EPO-Internal , WPI Data ,PAJ**

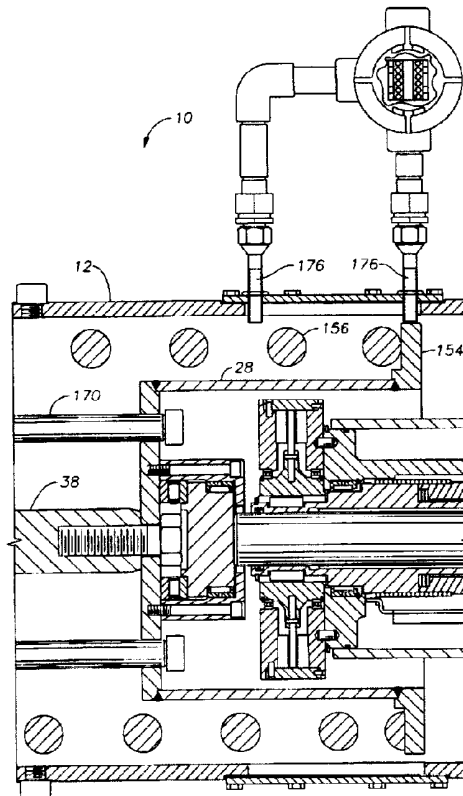
(71) Applicant(s):  
**Cooper Cameron Corporation**  
**(Incorporated in USA - Delaware)**  
**1333 West Loop South, Suite 1700,**  
**Houston, Texas 77027,**  
**United States of America**

(72) Inventor(s):  
**Lane P Mccaskill**

(continued on next page)

(54) Abstract Title: **Electric valve actuator with eddy current clutch**

(57) An electrically operated valve actuator with an eddy current clutch is disclosed. The use of the eddy current clutch provides an actuator that can control the rate of closing of the valve in a predetermined linear manner to avoid slamming the valve shut in an emergency shutdown.



**GB 2401417 A continuation**

(74) Agent and/or Address for Service:  
**Akers & Co.**  
**Grey Friars, Spring Road, HARPENDEN,**  
**Hertfordshire, AL5 3PP, United Kingdom**