



US00D724199S

(12) **United States Design Patent**
Bambot et al.

(10) **Patent No.:** **US D724,199 S**
(45) **Date of Patent:** **** Mar. 10, 2015**

(54) **MEDICAL DIAGNOSTIC STAND OFF TUBE**
(75) Inventors: **Shabbir Bambot**, Duluth, GA (US);
Jonathan David Mongin, Atlanta, GA
(US); **David Farquhar**, Commerce, GA
(US); **Richard L. Fowler**, Dacula, GA
(US); **Joanne True**, Suwanee, GA (US);
Kathryn Feuvrel, Alpharetta, GA (US)

(73) Assignee: **Guided Therapeutics, Inc.**, Norcross,
GA (US)
(**) Term: **14 Years**

(21) Appl. No.: **29/430,876**

(22) Filed: **Aug. 30, 2012**

(51) **LOC (10) Cl.** **24-02**

(52) **U.S. Cl.**
USPC **D24/112; D24/185**

(58) **Field of Classification Search**
USPC D24/112-114, 133, 186, 130, 127, 129,
D24/108, 210, 158, 185; 600/400, 473-476,
600/101, 139, 143; 606/15-16, 181, 185;
604/264, 280, 256, 164, 283, 174;
128/200.24, 207.14, 207.15
See application file for complete search history.

(56) **References Cited**

U.S. PATENT DOCUMENTS

D207,519	S	*	4/1967	Waine	D24/158
D246,665	S	*	12/1977	Updegrave	D24/158
D247,574	S	*	3/1978	Orsing	D24/112
D266,872	S	*	11/1982	Anderson	D24/112
5,458,640	A	*	10/1995	Gerrone	604/264
5,554,097	A	*	9/1996	Guy	600/102
5,620,456	A	*	4/1997	Sauer et al.	606/185
5,807,338	A	*	9/1998	Smith et al.	604/164.01
D399,557	S	*	10/1998	Hood et al.	D24/112
5,916,198	A	*	6/1999	Dillow	604/167.04

6,036,711	A	*	3/2000	Mozdzierz et al.	606/185
6,056,766	A	*	5/2000	Thompson et al.	606/185
7,011,314	B2	*	3/2006	McFarlane	277/626
D559,397	S	*	1/2008	Eriksson et al.	D24/224
7,470,255	B2	*	12/2008	Stearns et al.	604/167.06
7,559,918	B2	*	7/2009	Pasqualucci	604/164.02
D599,015	S	*	8/2009	Petersen	D24/133
8,062,305	B2	*	11/2011	Wenchell	606/108
D660,423	S	*	5/2012	Hermle	D24/133
8,562,569	B2	*	10/2013	Hart et al.	604/167.01
8,668,711	B2	*	3/2014	Teichtmann et al.	606/185
2002/0156432	A1	*	10/2002	Racenet et al.	604/256
2008/0154218	A1	*	6/2008	Gomez et al.	604/274
2009/0005740	A1	*	1/2009	Smith	604/256
2009/0082720	A1	*	3/2009	Smith	604/30
2011/0152910	A1	*	6/2011	Smith	606/185

OTHER PUBLICATIONS

Youtube, Luviva Advanced Cervical Scan, Mar. 21, 2013, <http://www.youtube.com/watch?v=XB-a6URRkY4>.*

* cited by examiner

Primary Examiner — David Muller
Assistant Examiner — Nathan Johnston
(74) *Attorney, Agent, or Firm* — Altera Law Group, LLC

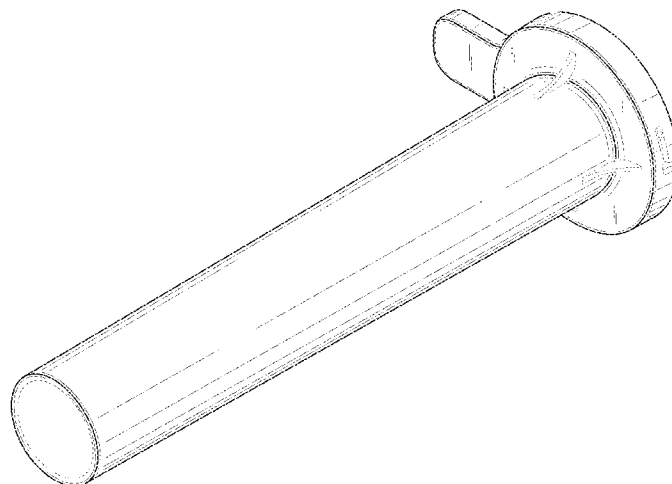
(57) **CLAIM**

The ornamental design for a medical diagnostic stand off tube, as shown and described.

DESCRIPTION

FIG. 1 is a perspective view of the medical diagnostic stand off tube.
FIG. 2 is a front elevation view thereof;
FIG. 3 is a rear elevation view thereof;
FIG. 4 is a right side elevation view thereof;
FIG. 5 is a left side elevation view thereof;
FIG. 6 is a top plan view thereof; and,
FIG. 7 is a bottom plan view thereof.

1 Claim, 6 Drawing Sheets



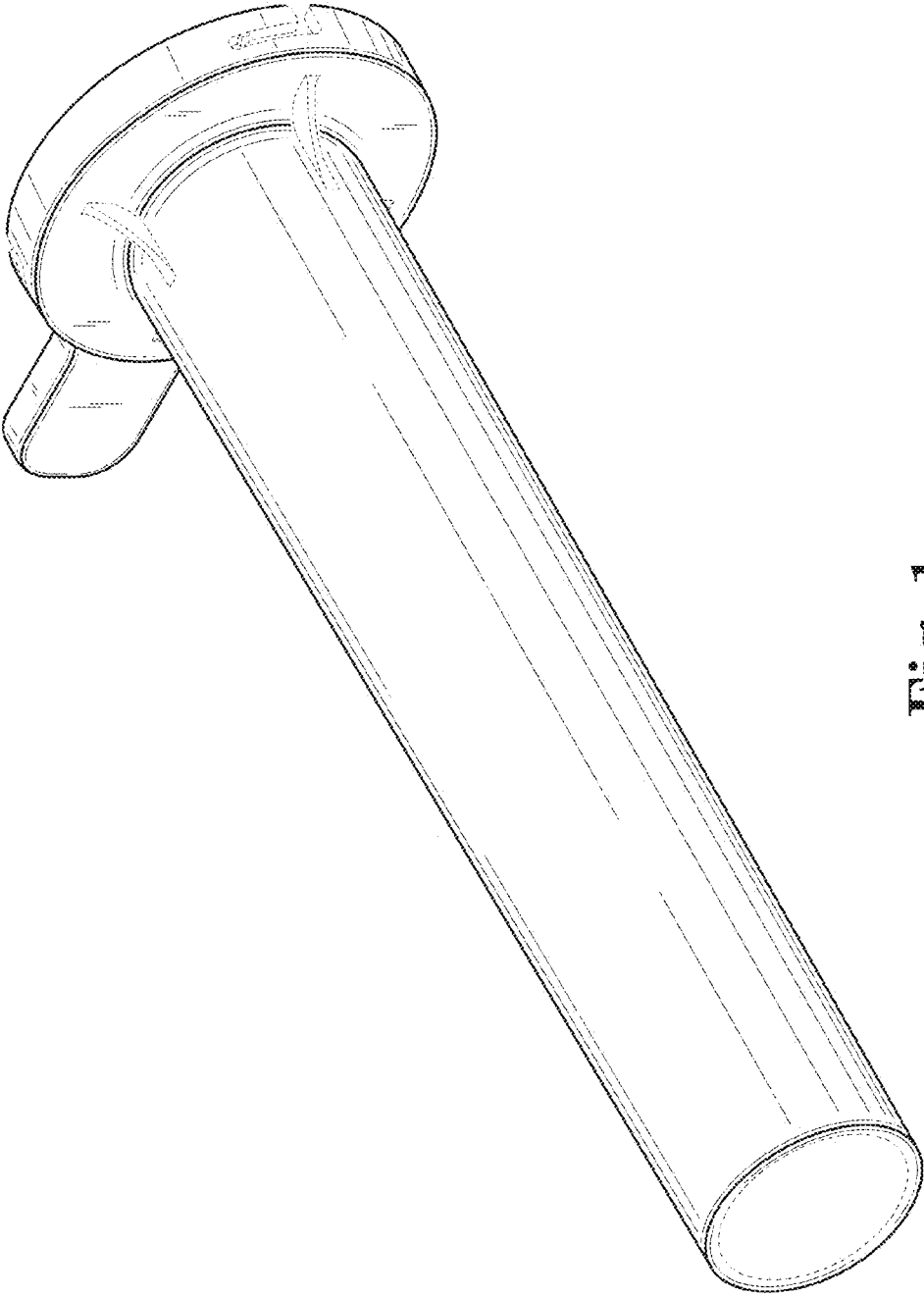


Fig. 1

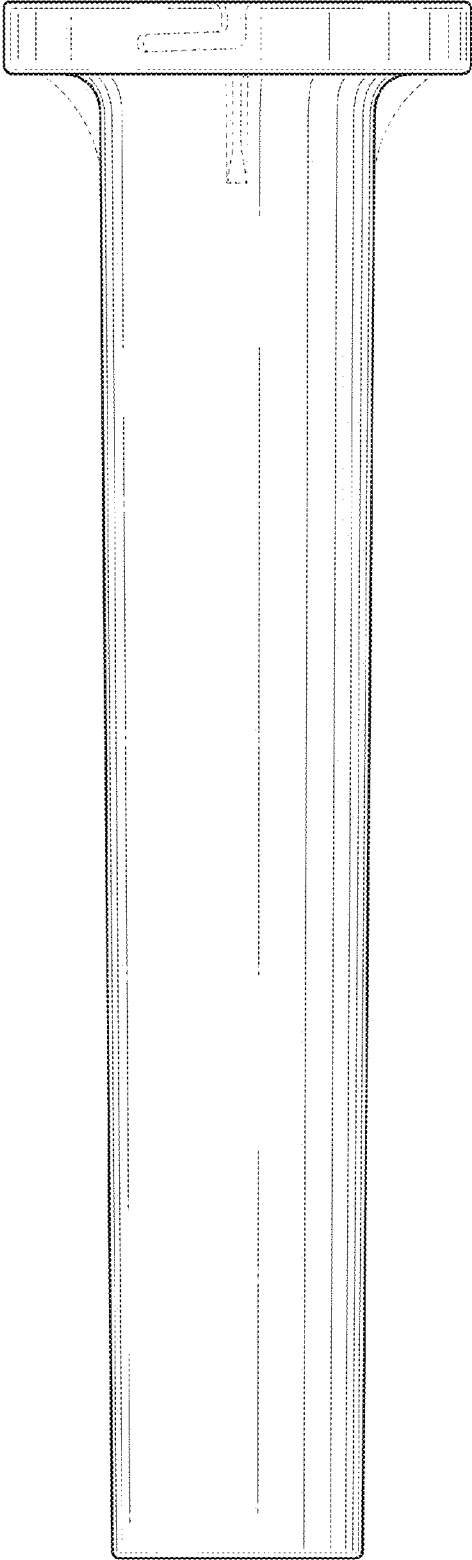


Fig. 2

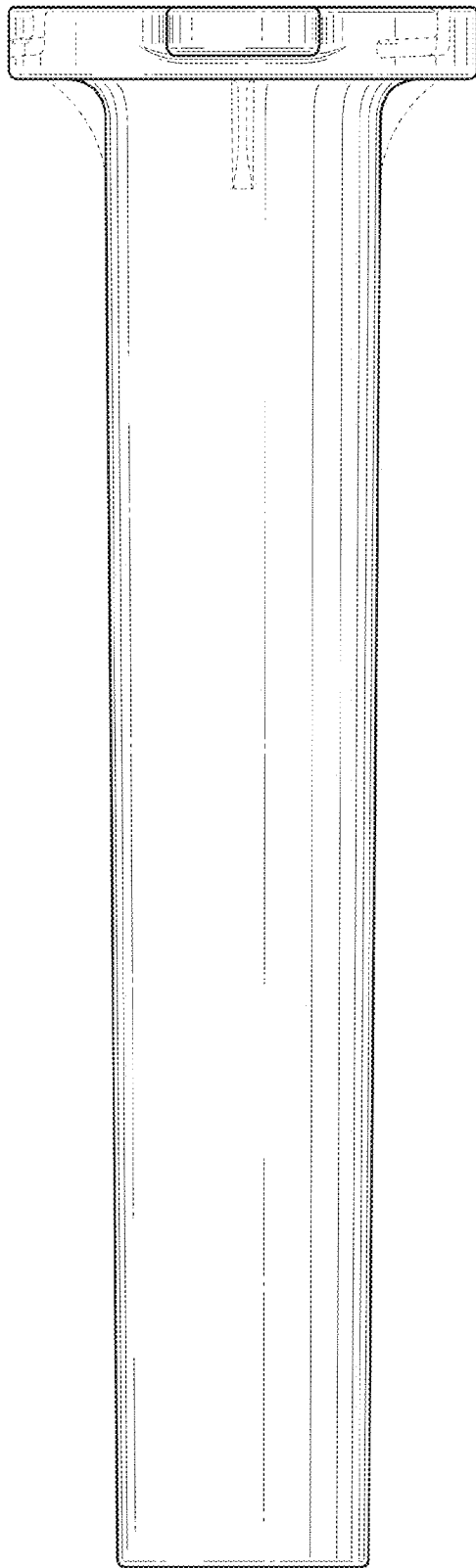


Fig. 3

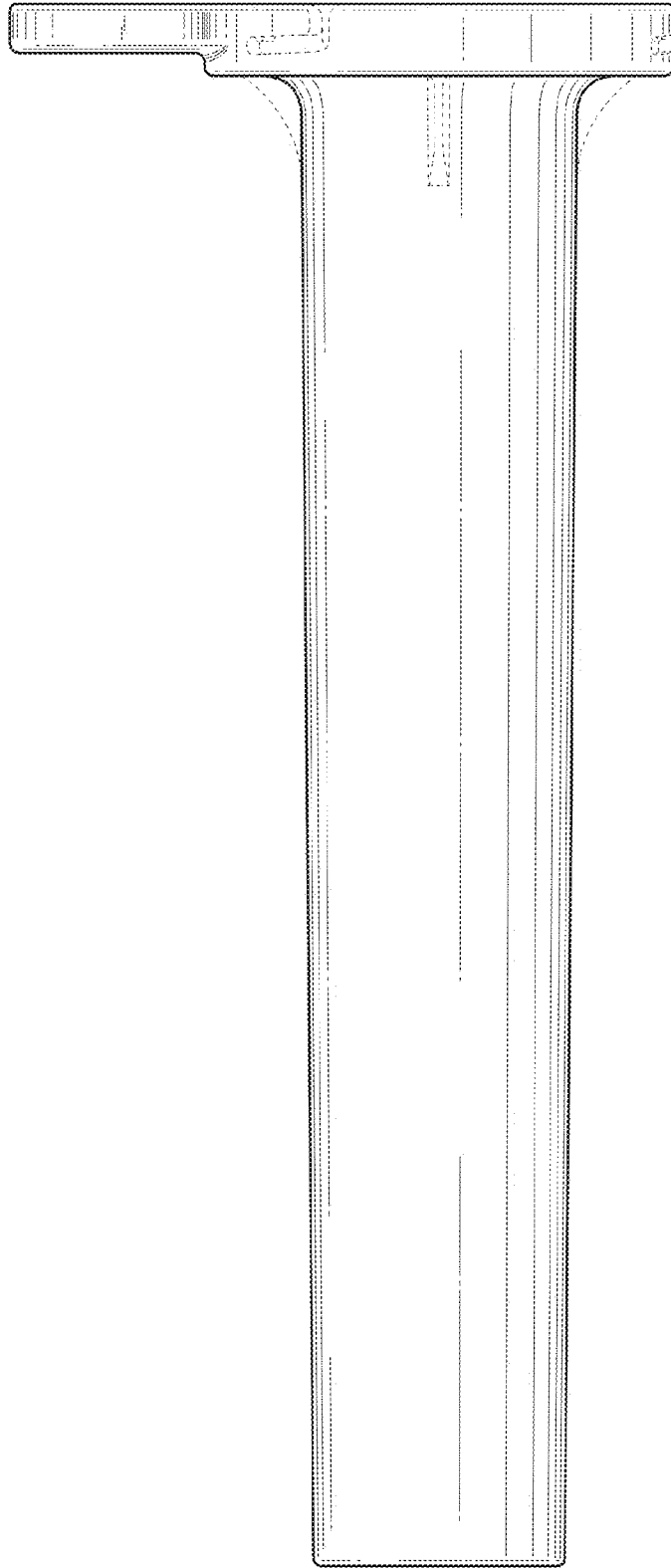


Fig. 4

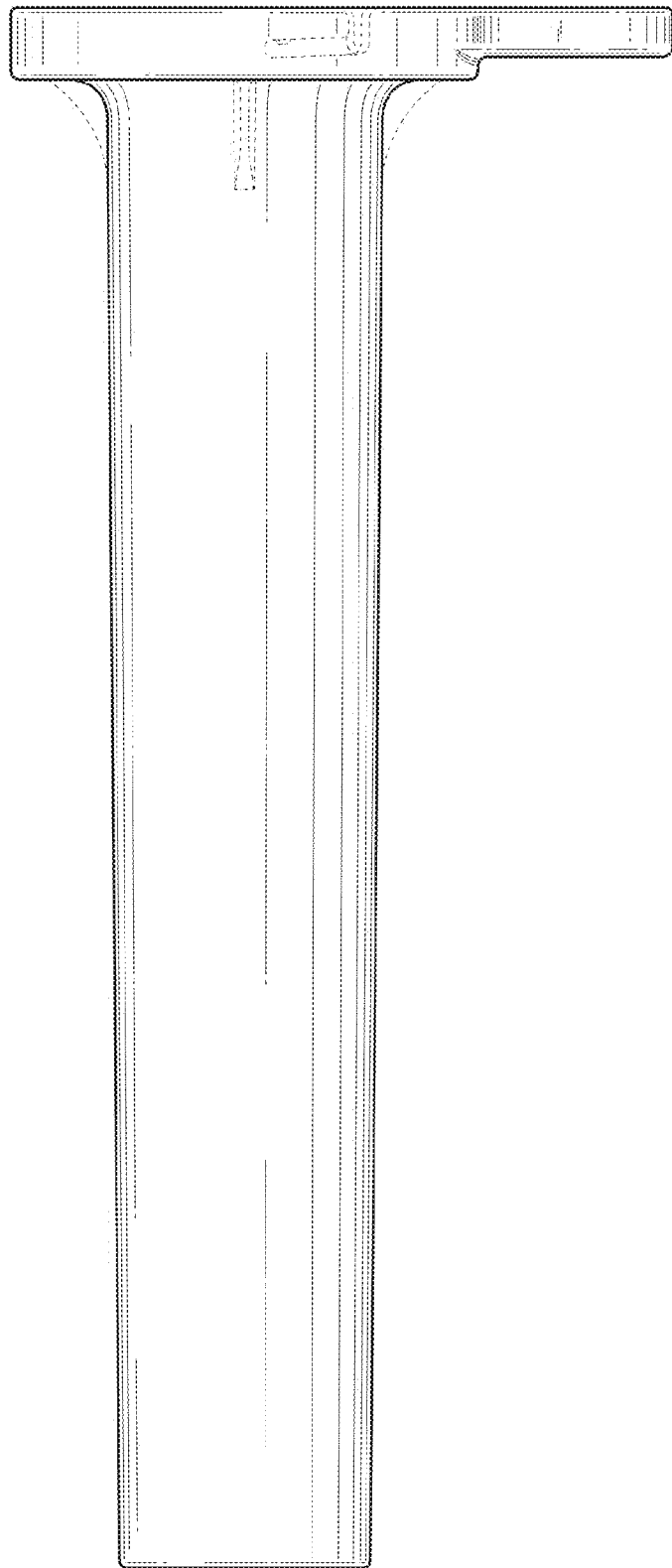


Fig. 5

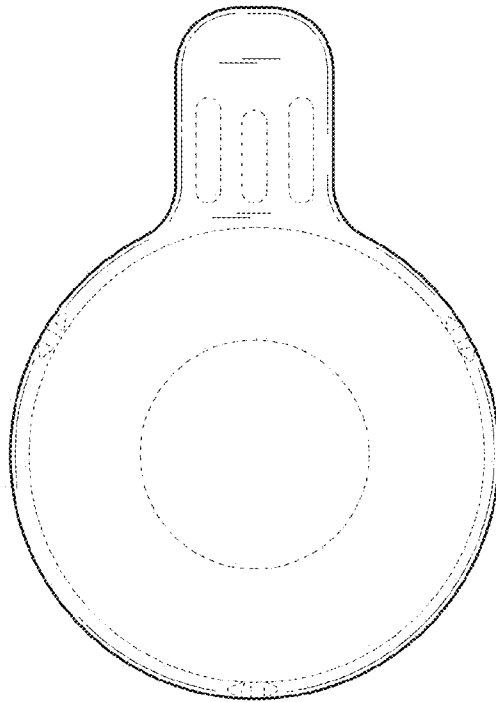


Fig. 7

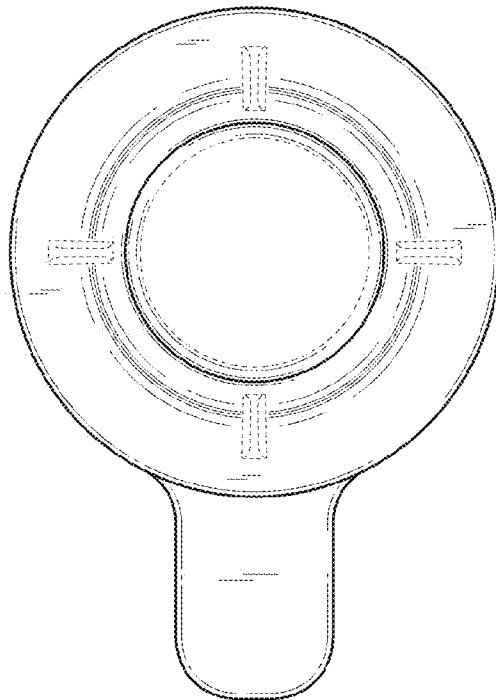


Fig. 6