



- (51) International Patent Classification:  
*B65D 33/25* (2006.01)    *B31B 1/90* (2006.01)  
*A44B 19/16* (2006.01)
- (21) International Application Number:  
PCT/US2011/058091
- (22) International Filing Date:  
27 October 2011 (27.10.2011)
- (25) Filing Language: English
- (26) Publication Language: English
- (30) Priority Data:  
61/407,351    27 October 2010 (27.10.2010)    US
- (71) Applicant (for all designated States except US):  
**ILLINOIS TOOL WORKS INC.** [US/US]; 3600 West Lake Avenue, Glenview, IL 60026-1215 (US).
- (72) Inventors; and
- (75) Inventors/Applicants (for US only): **KARIM, Rod, M.** [US/US]; 7520 Airway Road, San Diego, CA 92154 (US). **AGUILAR, Miguel, L.** [US/US]; 7520 Airway Road, San Diego, CA 92154 (US). **PERALTA, Antonio** [US/US]; 7520 Airway Road, San Diego, CA 92154 (US).
- (74) Agents: **HAMBERGER, Joshua, A.** et al.; Ostrager Chong Flaherty & Broitman, PC, 570 Lexington Ave. Fl. 17, New York, NY 10022 (US).
- (81) Designated States (unless otherwise indicated, for every kind of national protection available): AE, AG, AL, AM,

AO, AT, AU, AZ, BA, BB, BG, BH, BR, BW, BY, BZ, CA, CH, CL, CN, CO, CR, CU, CZ, DE, DK, DM, DO, DZ, EC, EE, EG, ES, FI, GB, GD, GE, GH, GM, GT, HN, HR, HU, ID, IL, IN, IS, JP, KE, KG, KM, KN, KP, KR, KZ, LA, LC, LK, LR, LS, LT, LU, LY, MA, MD, ME, MG, MK, MN, MW, MX, MY, MZ, NA, NG, NI, NO, NZ, OM, PE, PG, PH, PL, PT, QA, RO, RS, RU, RW, SC, SD, SE, SG, SK, SL, SM, ST, SV, SY, TH, TJ, TM, TN, TR, TT, TZ, UA, UG, US, UZ, VC, VN, ZA, ZM, ZW.

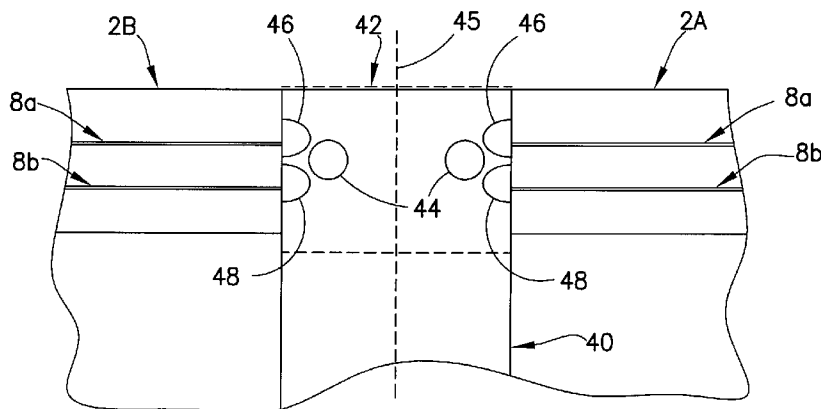
- (84) Designated States (unless otherwise indicated, for every kind of regional protection available): ARIPO (BW, GH, GM, KE, LR, LS, MW, MZ, NA, RW, SD, SL, SZ, TZ, UG, ZM, ZW), Eurasian (AM, AZ, BY, KG, KZ, MD, RU, TJ, TM), European (AL, AT, BE, BG, CH, CY, CZ, DE, DK, EE, ES, FI, FR, GB, GR, HR, HU, IE, IS, IT, LT, LU, LV, MC, MK, MT, NL, NO, PL, PT, RO, RS, SE, SI, SK, SM, TR), OAPI (BF, BJ, CF, CG, CI, CM, GA, GN, GQ, GW, ML, MR, NE, SN, TD, TG).

- Published:

  - with international search report (Art. 21(3))
  - before the expiration of the time limit for amending the claims and to be republished in the event of receipt of amendments (Rule 48.2(h))

- (88) Date of publication of the international search report:  
2 August 2012

(54) Title: RECLOSABLE POUCH WITH LEAKPROOF CLOSURE AND METHOD OF MANUFACTURE



**FIG. 4**

(57) Abstract: An improved sealing method allows the ends of pouch closure to be joined while at the same time forming dome-shaped slider end stops at respective joined ends of the closure. The closure may comprise two zippers. In addition, the ends of the zipper profiles are terminated by means of dies that form uniform and consistent terminations in the zone where the ends of the zipper strips are joined. The dome-shaped slider end stops and the zipper profile terminations are produced by heat sealing, either ultrasonically or through resistance heating, of the closure material. After the closure material has been softened by ultrasonic energy or resistance heating, dies are used to form the dome structures and terminations of the zipper profiles.



**A. CLASSIFICATION OF SUBJECT MATTER*****B65D 33/25(2006.01)i, A44B 19/16(2006.01)i, B31B 1/90(2006.01)i***

According to International Patent Classification (IPC) or to both national classification and IPC

**B. FIELDS SEARCHED**

Minimum documentation searched (classification system followed by classification symbols)

B65D 33/25; B65D 33/02; B65D 33/34; B65D 33/16; A44B 19/38; B65D 33/01

Documentation searched other than minimum documentation to the extent that such documents are included in the fields searched

Korean utility models and applications for utility models

Japanese utility models and applications for utility models

Electronic data base consulted during the international search (name of data base and, where practicable, search terms used)

eKOMPASS(KIPO internal) &amp; Keywords: zipper, pouch, heat seal, receptacle, flange, roll

**C. DOCUMENTS CONSIDERED TO BE RELEVANT**

Category*	Citation of document, with indication, where appropriate, of the relevant passages	Relevant to claim No.
A	US 7537386 B2 (LINTON BASIL C. et al.) 26 May 2009 See column 6 lines 41-60, fig. 3	1-20
A	US 2006-0029300 A1 (RANDALL YODER) 09 February 2006 See paragraphs 19, 24, 29, fig. 3	1-20
A	US 06030122A A (RAMSEY; RONALD L. et al.) 29 February 2000 See column 3 line 17 - column 4 line 44, fig. 1	1-20
A	US 2004-0161170 A1 (BASIL C. LINTON et al.) 19 August 2004 See paragraph 34, fig. 1	1-20
A	US 05238306 A (HEINTZ; DAVID A. et al.) 24 August 1993 See column 3 line 6-48, fig. 1	1-20
A	US 05335997 A (KANEMITSU; TOSHIHIRO et al.) 09 August 1994 See column 9 line 40 - column 10 line 58, fig. 4	1-20

 Further documents are listed in the continuation of Box C. See patent family annex.

\* Special categories of cited documents:

"A" document defining the general state of the art which is not considered to be of particular relevance

"E" earlier application or patent but published on or after the international filing date

"L" document which may throw doubts on priority claim(s) or which is cited to establish the publication date of citation or other special reason (as specified)

"O" document referring to an oral disclosure, use, exhibition or other means

"P" document published prior to the international filing date but later than the priority date claimed

"T" later document published after the international filing date or priority date and not in conflict with the application but cited to understand the principle or theory underlying the invention

"X" document of particular relevance; the claimed invention cannot be considered novel or cannot be considered to involve an inventive step when the document is taken alone

"Y" document of particular relevance; the claimed invention cannot be considered to involve an inventive step when the document is combined with one or more other such documents, such combination being obvious to a person skilled in the art

"&amp;" document member of the same patent family

Date of the actual completion of the international search

08 JUNE 2012 (08.06.2012)

Date of mailing of the international search report

**11 JUNE 2012 (11.06.2012)**

Name and mailing address of the ISA/KR

Korean Intellectual Property Office  
189 Cheongsu-ro, Seo-gu, Daejeon Metropolitan  
City, 302-701, Republic of Korea

Facsimile No. 82-42-472-7140

Authorized officer

LEE, Tae Young

Telephone No. 82-42-481-5444



**INTERNATIONAL SEARCH REPORT**

Information on patent family members

International application No.

**PCT/US2011/058091**

Patent document cited in search report	Publication date	Patent family member(s)	Publication date
US 7537386 B2	26.05.2009	US 2006-0291754 A1	28.12.2006
US 2006-0029300 A1	09.02.2006	US 7553082 B2	30.06.2009
		WO 2006-024976 A1	09.03.2006
US 06030122A A	29.02.2000	AU 1999-18535 A1	30.09.1999
		AU 722974 B2	17.08.2000
		CA 2263022 A1	06.09.1999
		CN 1135194 C0	21.01.2004
		CN 1231981 A0	20.10.1999
		EP 0940097 A2	08.09.1999
		EP 0940097 A3	29.03.2000
		EP 0940097 B1	27.04.2005
		JP 04-279394 B2	19.03.2009
		JP 11-314650 A	16.11.1999
		JP 4279394 B2	17.06.2009
		KR 10-0285242 B1	15.03.2001
		TW 516944 A	11.01.2003
		TW 516944 B	11.01.2003
US 2004-0161170 A1	19.08.2004	AU 2004-200474 A1	02.09.2004
		AU 2004-200474 B2	08.06.2006
		BR P10400907A	11.01.2005
		CA 2457593 A1	14.08.2004
		CA 2457593 C	22.05.2007
		CA 2457654 A1	14.08.2004
		CA 2457654 C	29.05.2007
		CA 2457656 A1	14.08.2004
		CA 2457656 C	22.05.2007
		CA 2457657 A1	14.08.2004
		CA 2457657 C	22.05.2007
		CL 2422004 A1	04.03.2005
		CL 2432004 A1	18.03.2005
		EP 1447338 A1	18.08.2004
		EP 1447339 A1	18.08.2004
		EP 1447339 B1	30.11.2011
		EP 1447340 A1	18.08.2004
		EP 1447341 A1	18.08.2004
		EP 1621473 A1	01.02.2006
		JP 04-327621 B2	19.06.2009
		JP 04-782384 B2	15.07.2011
		JP 2004-244112 A	02.09.2004
		JP 2004-244113 A	02.09.2004
		JP 2004-244114 A	02.09.2004
		JP 4327621 B2	09.09.2009
		JP 4782384 B2	28.09.2011
		MX PA04001440 A	19.08.2004
		US 2004-0161167 A1	19.08.2004
		US 2004-0161168 A1	19.08.2004

**INTERNATIONAL SEARCH REPORT**

Information on patent family members

International application No.

**PCT/US2011/058091**

Patent document cited in search report	Publication date	Patent family member(s)	Publication date
		US 2004-0161169 A1	19.08.2004
		US 2004-0161171 A1	19.08.2004
		US 2004-0161172 A1	19.08.2004
		US 2004-0161173 A1	19.08.2004
		US 2005-0008266 A1	13.01.2005
		US 2005-0008267 A1	13.01.2005
		US 6942608 B2	13.09.2005
		US 6951421 B2	04.10.2005
		US 6962440 B2	08.11.2005
		US 7036987 B2	02.05.2006
		US 7056022 B2	06.06.2006
		US 7107738 B2	19.09.2006
		US 7165886 B2	23.01.2007
		US 7416336 B2	26.08.2008
US 05238306 A	24.08.1993	EP 0398731 A2	22.11.1990
		EP 0398731 B1	31.01.1996
US 05335997 A	09.08.1994	EP 0339324 A1	02.11.1989
		EP 0339324 B1	02.03.1994
		JP 01-257037 A	13.10.1989
		JP 01-279062 A	09.11.1989
		JP 05-066861 B	22.09.1993
		JP 05-071444 B	07.10.1993
		JP 1257038 A	13.10.1989
		JP 1267107 A	25.10.1989
		JP 1850374 C	21.06.1994
		JP 1853261 C	21.06.1994
		KR 10-1990-0015893 A	10.11.1990
		US 05335997A A	09.08.1994
		US 05400568A A	28.03.1995