



US0D1047098S

(12) **United States Design Patent**  
**Wang et al.**

(10) **Patent No.:** **US D1,047,098 S**  
(45) **Date of Patent:** **\*\* Oct. 15, 2024**

(54) **SPACE HEATER**

(71) Applicant: **SHENZHEN HESUNG  
INNOVATION TECHNOLOGY CO.,  
LTD.**, Shenzhen (CN)

(72) Inventors: **Jinglong Wang**, Shenzhen (CN); **Lihu  
Wei**, Shenzhen (CN)

(\*\*) Term: **15 Years**

(21) Appl. No.: **29/892,916**

(22) Filed: **May 23, 2023**

(51) **LOC (14) Cl.** ..... **23-03**

(52) **U.S. Cl.**  
USPC ..... **D23/335**

(58) **Field of Classification Search**  
USPC ..... D23/314, 317, 329, 332, 328, 333, 334,  
D23/335, 336, 337, 338, 339, 340, 355,  
D23/356, 364, 370, 375, 378  
CPC .... F24H 3/002; F24H 9/2071; F24H 2250/00;  
F24H 9/0052; F24H 9/0057; F24H 9/02;  
F24H 9/1863; F24H 9/1854; F24H  
9/1872; F24H 3/0411; F24H 3/0417;  
F24H 2240/00; F24H 3/022  
See application file for complete search history.

(56) **References Cited**

**U.S. PATENT DOCUMENTS**

D343,231 S *	1/1994	Lim	.....	D23/336
D346,017 S *	4/1994	Lim	.....	D23/336
D479,589 S *	9/2003	Koike	.....	D23/336
D841,140 S *	2/2019	Chen	.....	D23/336
D896,937 S *	9/2020	Yang	.....	D23/335

D958,953 S *	7/2022	Sward	.....	D23/364
D979,023 S *	2/2023	Loibl	.....	D23/335
D1,013,846 S *	2/2024	Fan	.....	D23/335
D1,021,029 S *	4/2024	He	.....	D23/332
D1,027,139 S *	5/2024	Nie	.....	D23/335
D1,027,142 S *	5/2024	Huang	.....	D23/335
D1,029,218 S *	5/2024	Huang	.....	D23/335
2021/0302068 A1 *	9/2021	Bavoso	.....	F24H 9/0073

\* cited by examiner

*Primary Examiner* — Ania Aman

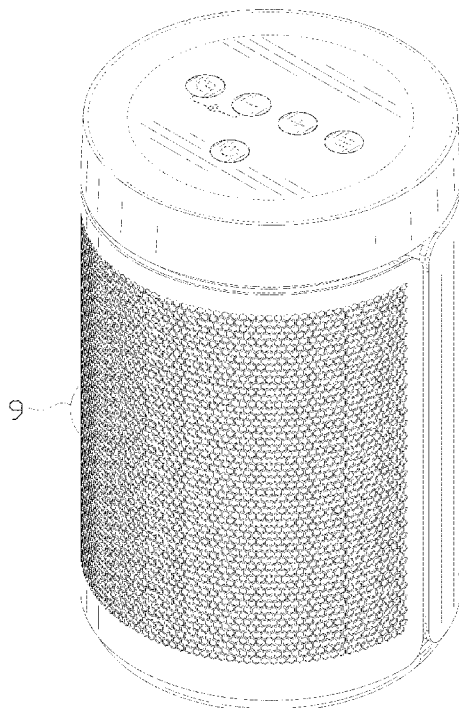
(57) **CLAIM**

The ornamental design for a space heater as shown and described.

**DESCRIPTION**

FIG. 1 is a perspective view of a space heater showing my new design;  
FIG. 2 is another perspective view thereof;  
FIG. 3 is a front view thereof;  
FIG. 4 is a rear view thereof;  
FIG. 5 is a left side view thereof;  
FIG. 6 is a right side view thereof;  
FIG. 7 is a top plan view thereof;  
FIG. 8 is a bottom plan view thereof; and,  
FIG. 9 is an enlarged view of portion 9 shown in FIG. 1. The dash-dash broken lines in the drawings depict portions of the space heater that form no part of the claimed design. The dot-dash broken lines represent the boundary of the enlarged portion and form no part of the claimed design.

**1 Claim, 9 Drawing Sheets**



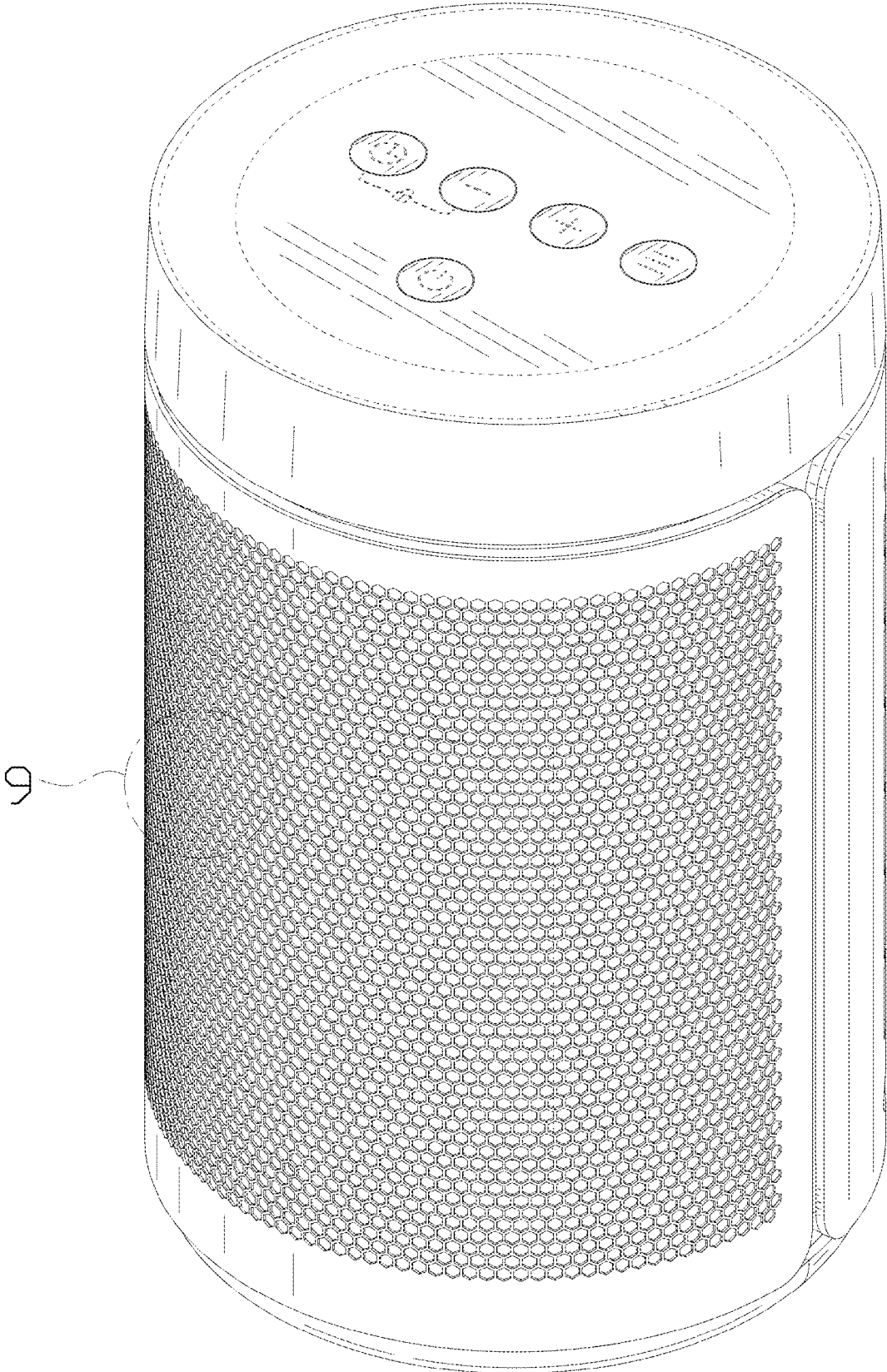


FIG. 1

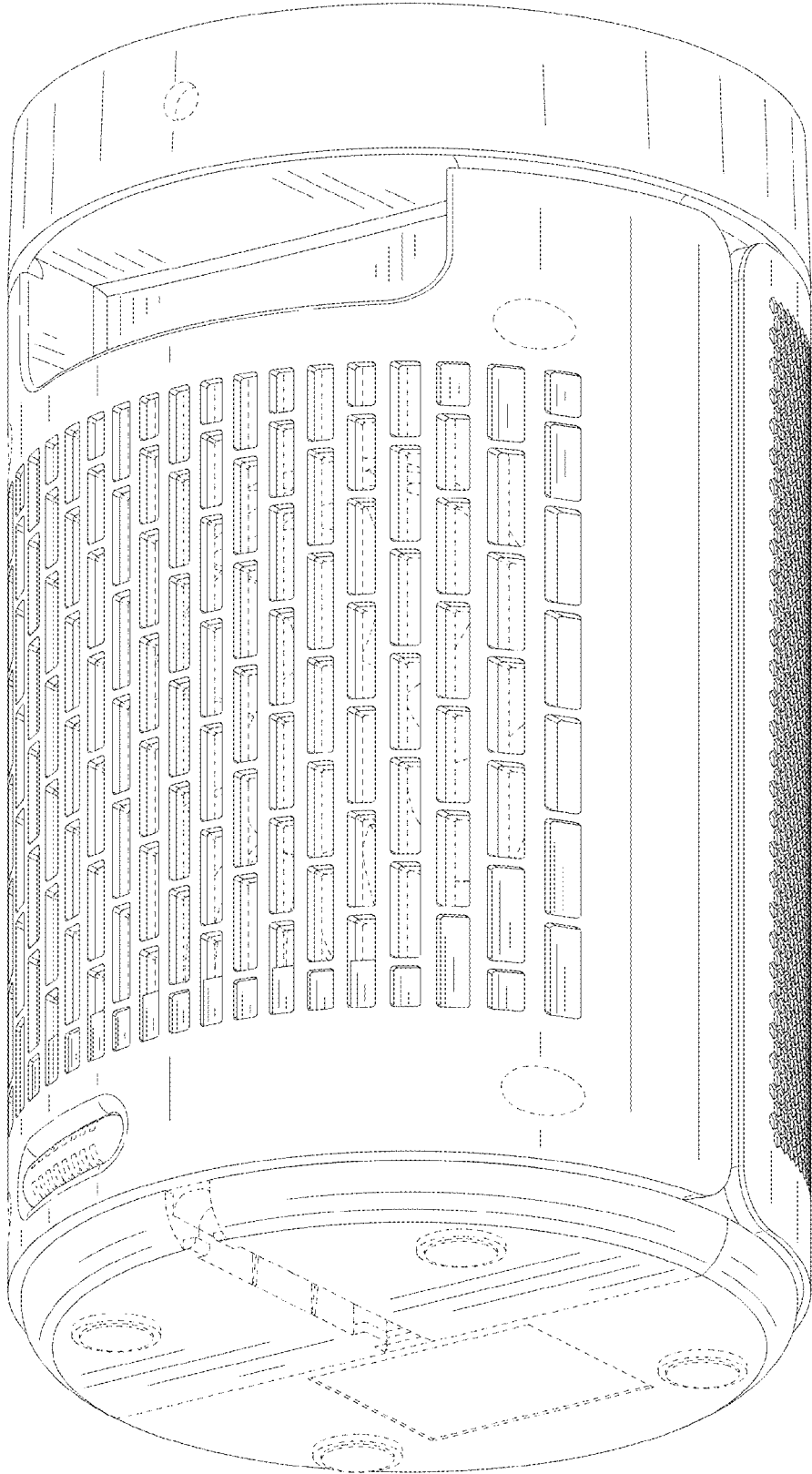


FIG. 2

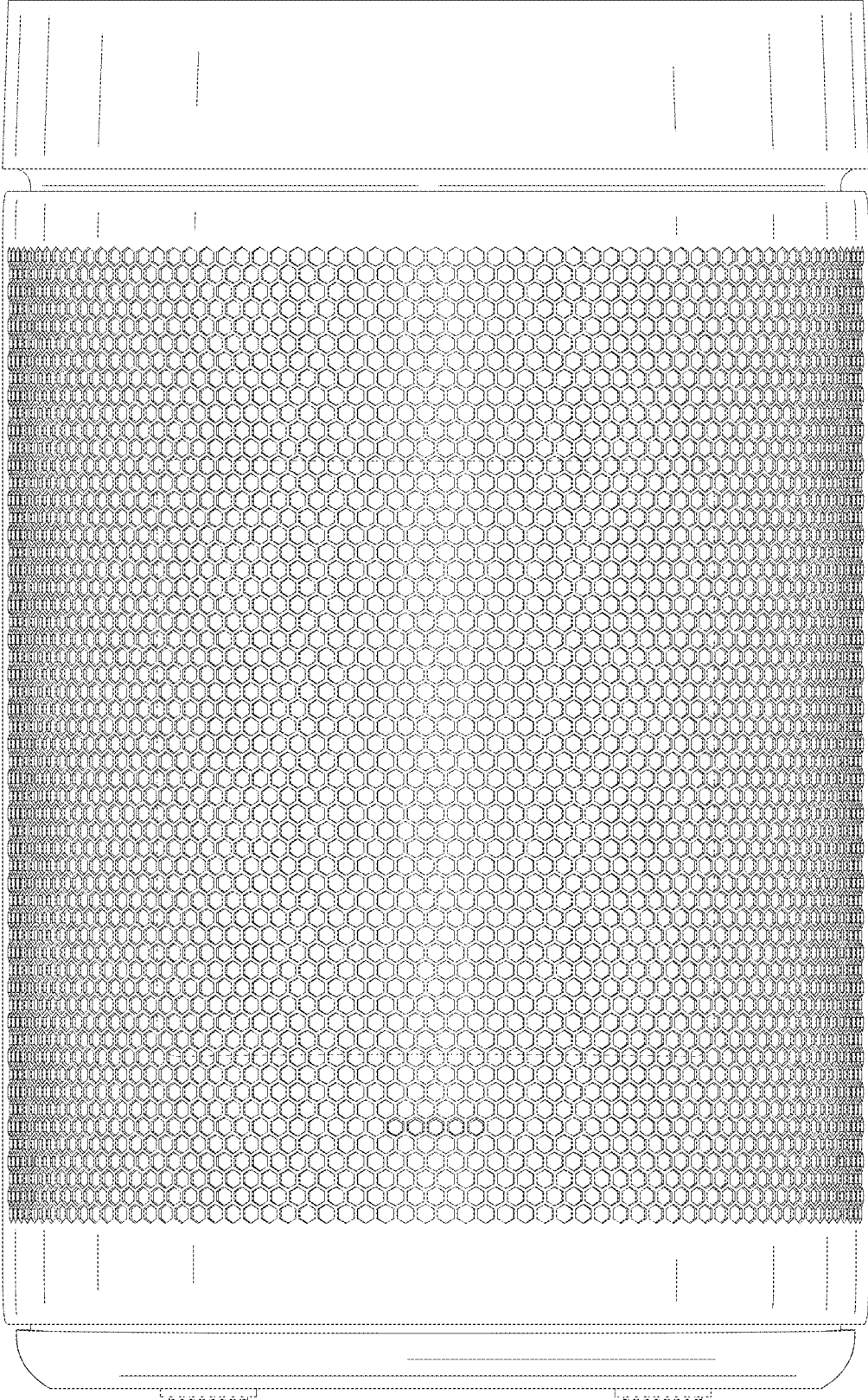


FIG. 3

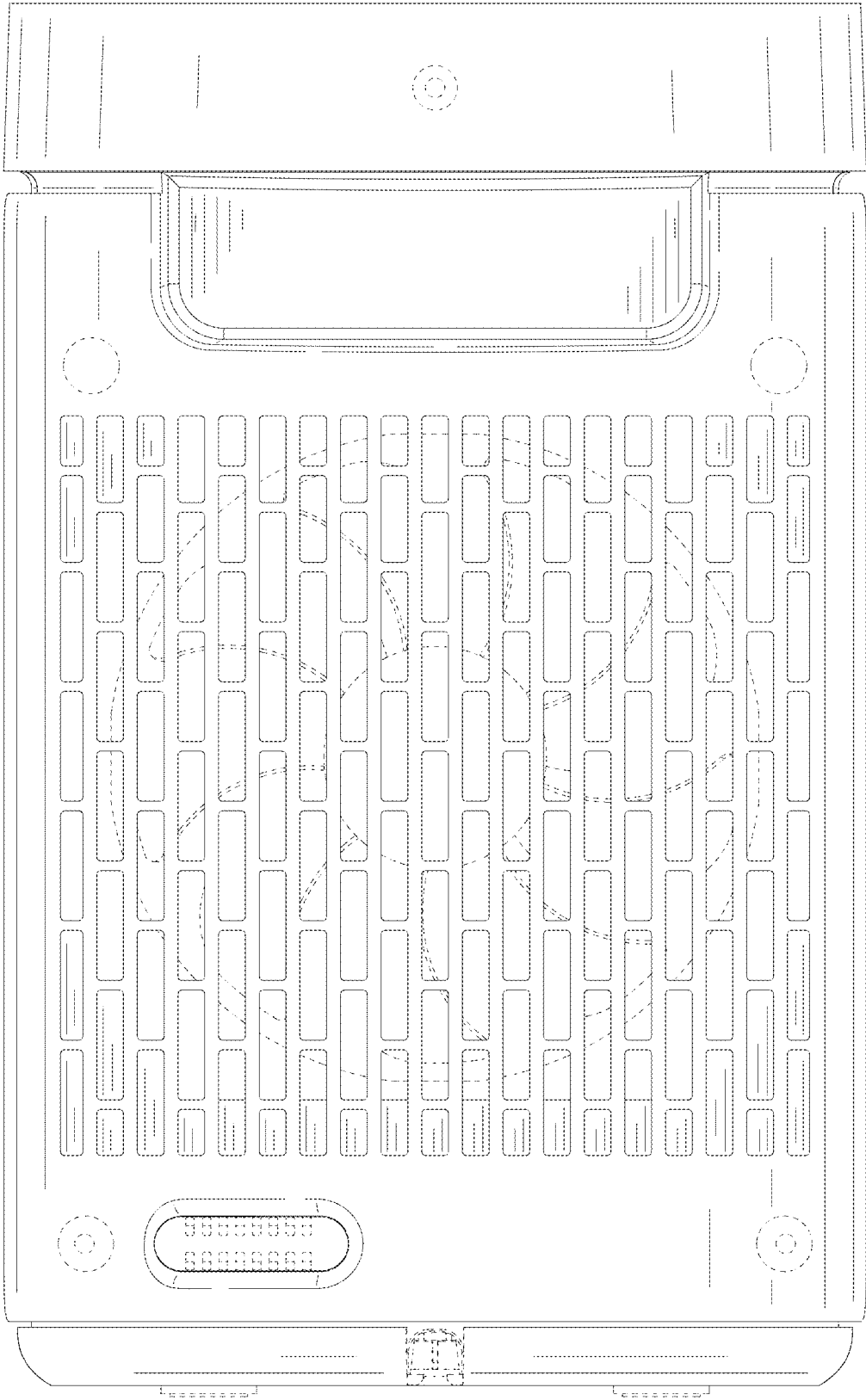


FIG. 4

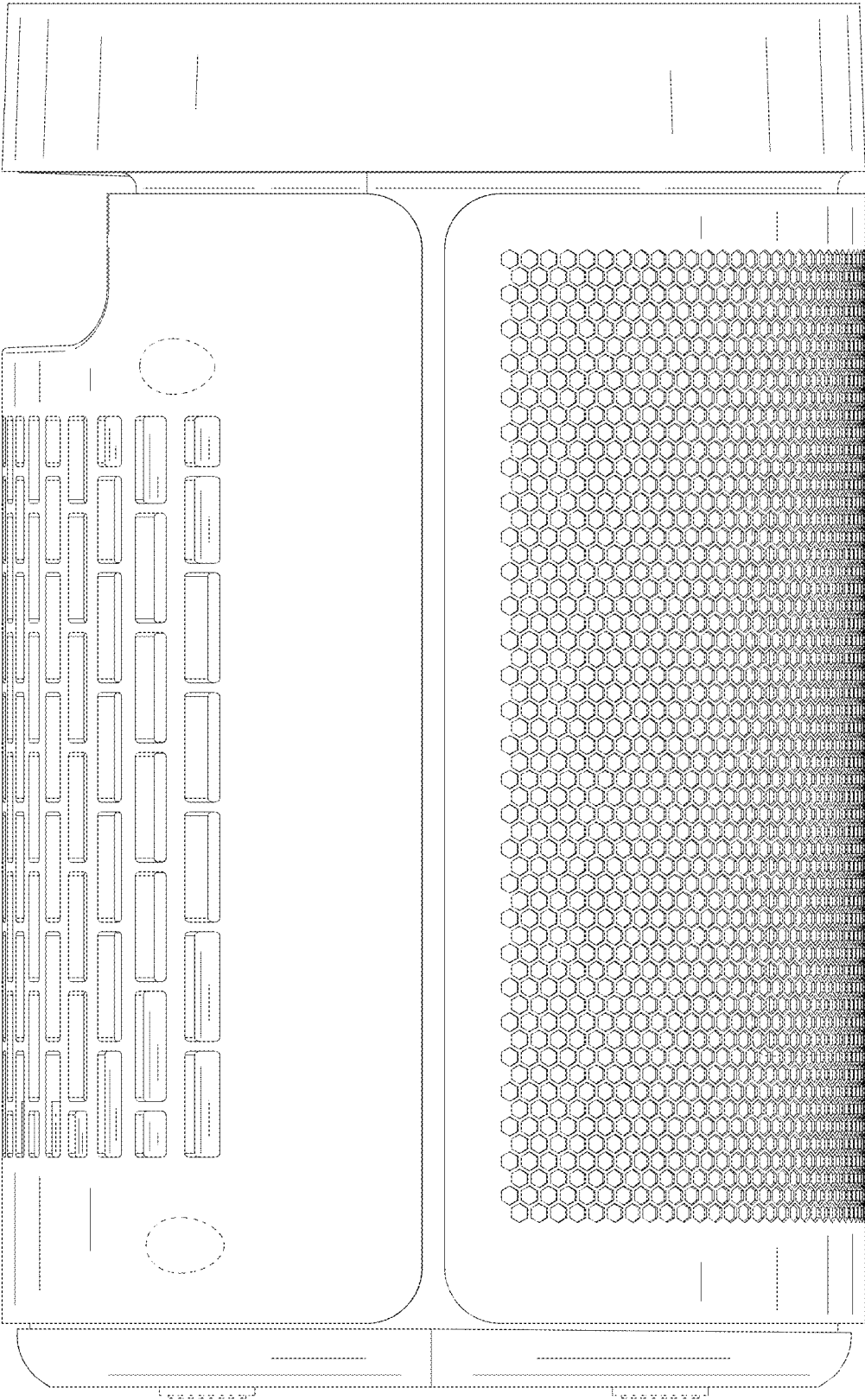


FIG. 5

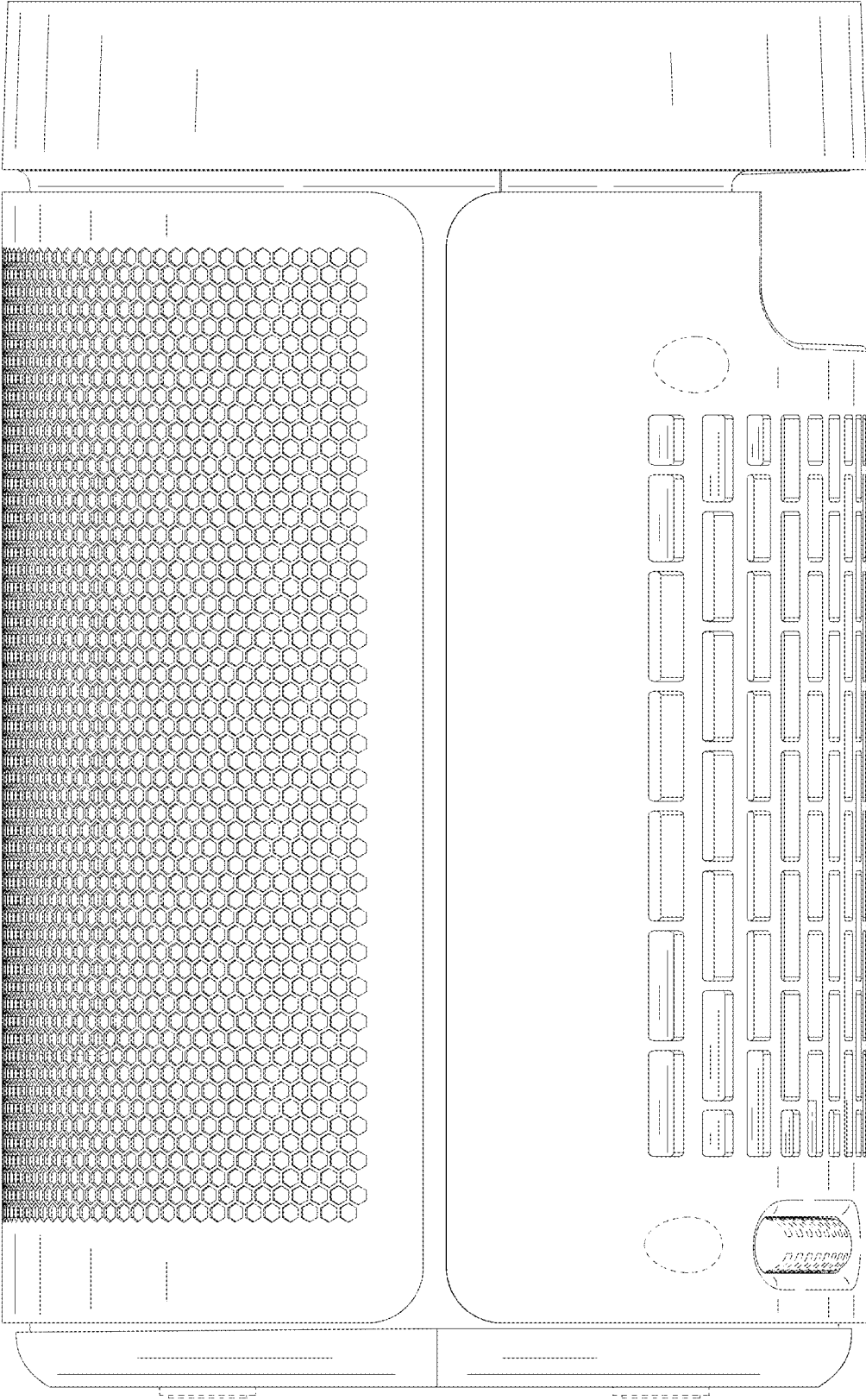


FIG. 6

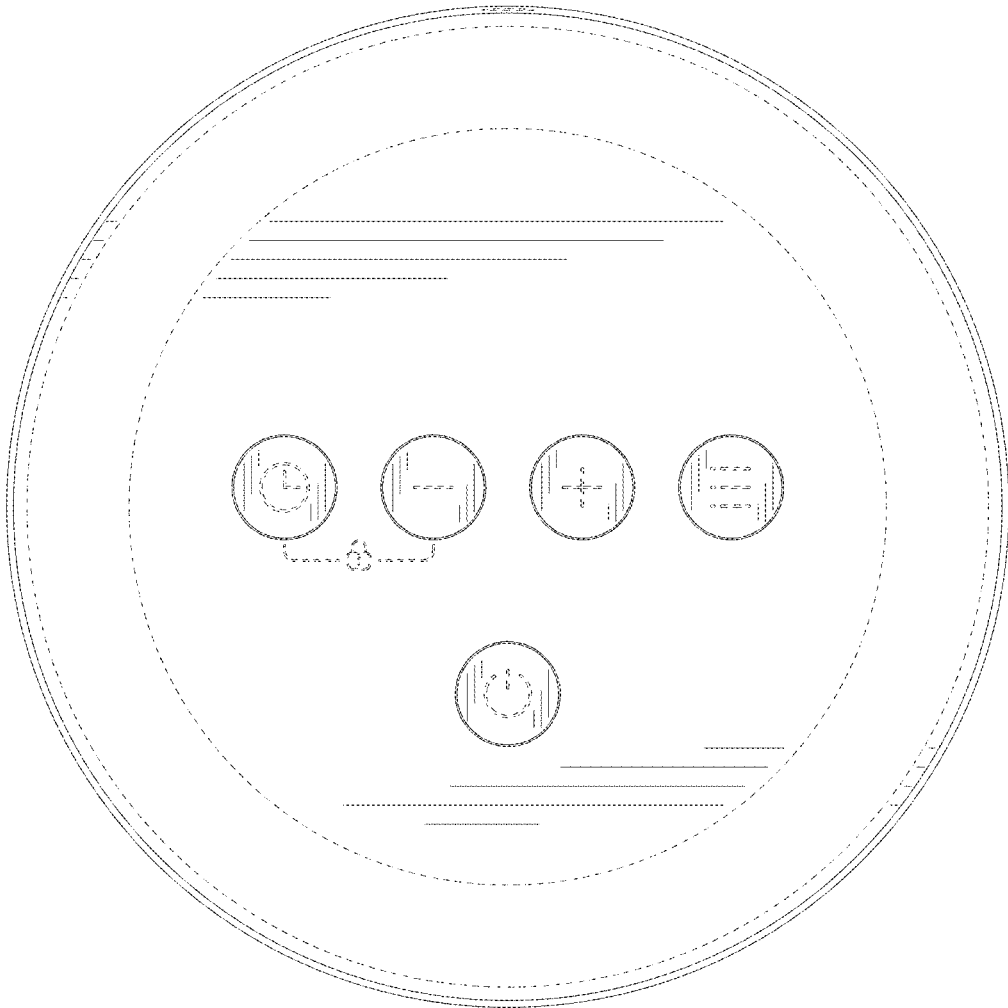


FIG. 7



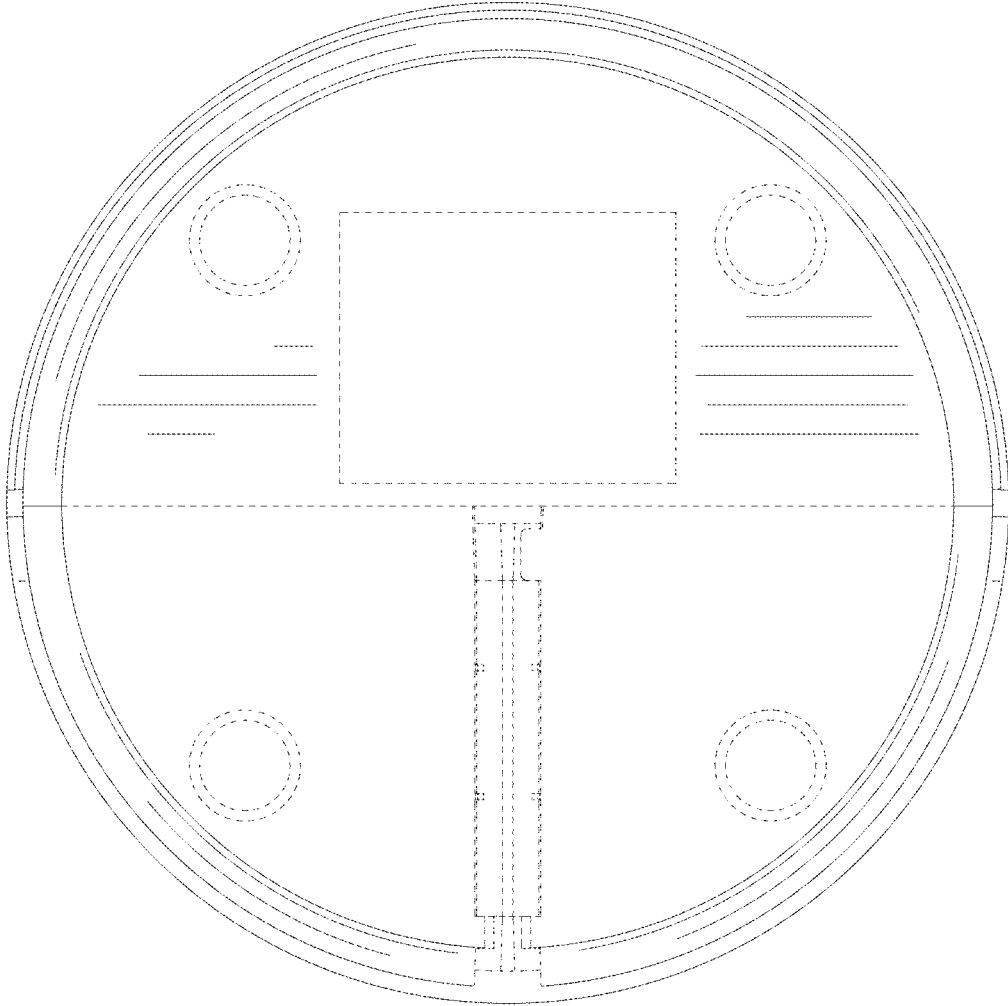


FIG. 8

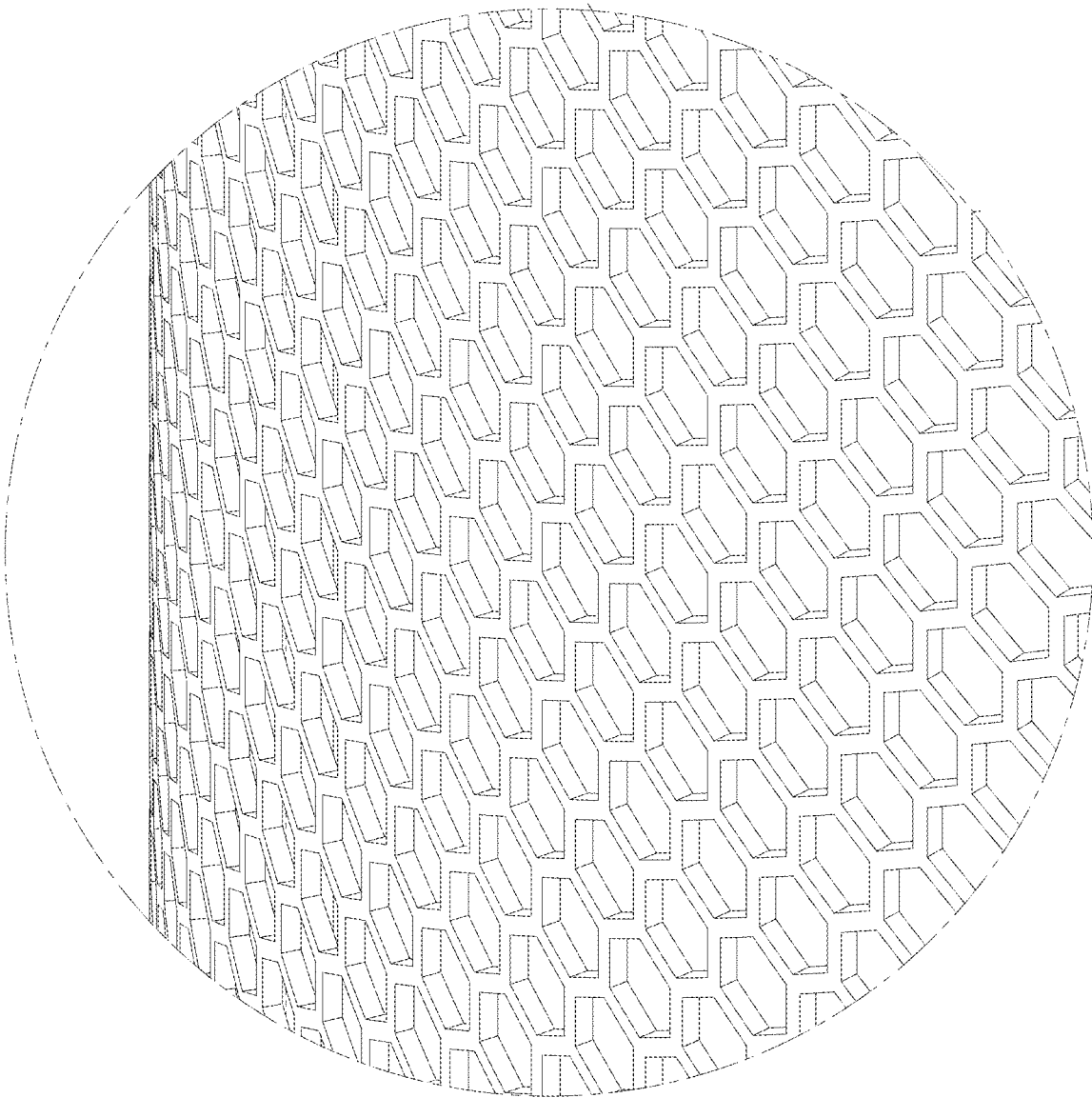


FIG. 9