



US00D453580S

(12) **United States Design Patent** (10) **Patent No.:** **US D453,580 S**  
**Lynch et al.** (45) **Date of Patent:** **\*\* Feb. 12, 2002**

(54) **RECHARGEABLE FLASHLIGHT**  
(75) Inventors: **Peter F. Lynch, Skaneateles; Mark A. Ferguson, Jamesville; David A. Furth; Scott W. Osiecki, both of Skaneateles, all of NY (US)**  
(73) Assignee: **Eveready Battery Company, Inc., St. Louis, MO (US)**  
(\*\*) Term: **14 Years**  
(21) Appl. No.: **29/056,165**  
(22) Filed: **May 31, 1996**

D276,658 S 12/1984 Yuen  
D280,029 S 8/1985 Petterson  
4,556,932 A 12/1985 Lehrer et al.  
D283,254 S 4/1986 Fenne  
D284,707 S 7/1986 Tanaka  
D285,356 S 8/1986 Schosser et al.  
D288,245 S 2/1987 Corder et al.  
D291,838 S 9/1987 Tung  
D292,321 S 10/1987 Liu  
D296,011 S 5/1988 Adams  
D296,012 S 5/1988 Petterson  
D296,477 S 6/1988 Powell et al.  
D299,173 S 12/1988 Powell et al.  
D301,631 S 6/1989 Leung  
D301,750 S 6/1989 Fenne  
4,857,702 A 8/1989 Cafaro

(51) **LOC (7) Cl. .... 26-02**  
(52) **U.S. Cl. .... D26/46**  
(58) **Field of Search ..... D26/37-50; 362/157, 362/158, 183, 184, 187-202**

(List continued on next page.)

**FOREIGN PATENT DOCUMENTS**

DE 510300 A2 1/1992

*Primary Examiner*—Marcus A. Jackson  
(74) *Attorney, Agent, or Firm*—Robert W. Welsh; S. Allan Fraser

(56) **References Cited**  
**U.S. PATENT DOCUMENTS**

D88,205 S 11/1932 Williams  
D112,635 S 12/1938 Ferris  
3,192,378 A 6/1965 Oldenburger  
3,222,513 A 12/1965 Feo  
3,233,091 A 2/1966 Hunt  
D210,905 S 4/1968 Kahn  
D213,516 S 3/1969 Ashe  
3,458,794 A 7/1969 Bohnstedt et al.  
D220,801 S 5/1971 Rams  
D248,504 S 7/1978 Rhoades et al.  
D251,632 S 4/1979 Lievin  
4,177,500 A 12/1979 Nicholl et al.  
D254,514 S 3/1980 Nicholl et al.  
D255,839 S 7/1980 Sassmannshausen  
4,228,484 A 10/1980 Johnstone  
D262,578 S 1/1982 Nicholl et al.  
D263,630 S 3/1982 Wong  
D266,957 S 11/1982 Lee  
4,412,168 A 10/1983 Sell  
D273,048 S 3/1984 Chan  
D274,368 S 6/1984 Skarman  
D275,423 S 9/1984 Stansbury, Jr. et al.  
D276,375 S 11/1984 Fenne

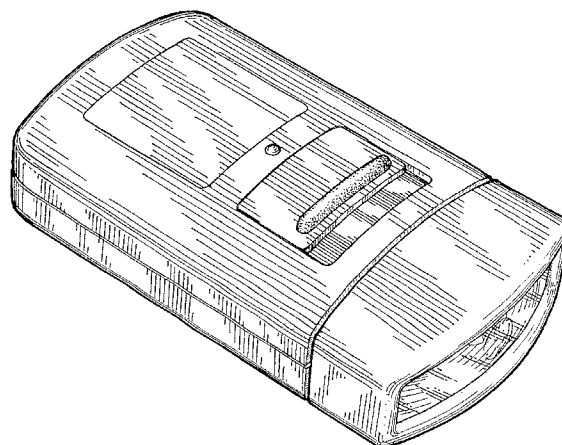
(57) **CLAIM**

The ornamental design for a rechargeable flashlight, as shown and described.

**DESCRIPTION**

FIG. 1 is a perspective view of one embodiment of the rechargeable flashlight;  
FIG. 2 is a side view of the rechargeable flashlight shown in FIG. 1;  
FIG. 3 is a plan view of the rechargeable flashlight shown in FIG. 1;  
FIG. 4 is an end view of the rechargeable flashlight shown in FIG. 1;  
FIG. 5 is a bottom plan view of the rechargeable flashlight shown in FIG. 4; and,  
FIG. 6 is another end view of the rechargeable flashlight opposite that shown in FIG. 4.

**1 Claim, 2 Drawing Sheets**



U.S. PATENT DOCUMENTS

D308,257 S	5/1990	Staubitz et al.		
D312,138 S	11/1990	Burns		
D313,665 S	1/1991	Yuen		
D314,243 S	* 1/1991	Ueda .....	D26/28	
D315,608 S	3/1991	Petterson et al.		
D320,463 S	10/1991	Pettersen et al.		
D323,404 S	1/1992	Fenne		
D324,110 S	2/1992	Yuen		
D324,580 S	3/1992	Young		
D326,923 S	6/1992	Yuen		
D328,145 S	7/1992	Yuen		
D331,118 S	11/1992	Yeung		
5,160,879 A	11/1992	Tortola et al.		
D332,321 S	1/1993	Yuen		
D336,965 S	6/1993	Yau		
5,220,152 A	6/1993	Doran		
D343,015 S	1/1994	Yuen		
D343,468 S	1/1994	Yuen		
D343,469 S	1/1994	Yuen		
D348,942 S	7/1994	Yuen		
D350,407 S	9/1994	Yuen		
D352,564 S	11/1994	Marischen		
5,401,178 A	3/1995	Liu		
D357,757 S	4/1995	Bamber et al.		
D357,989 S	* 5/1995	Nagano .....	D26/28	
D361,633 S	* 8/1995	Chabria .....	D26/37	
D363,138 S	10/1995	Poon		
D364,476 S	11/1995	Pettersen		
D366,127 S	1/1996	Yuen		
D374,492 S	* 10/1996	Coe .....	D26/37	
D375,569 S	* 11/1996	Hwang .....	D26/37	

\* cited by examiner

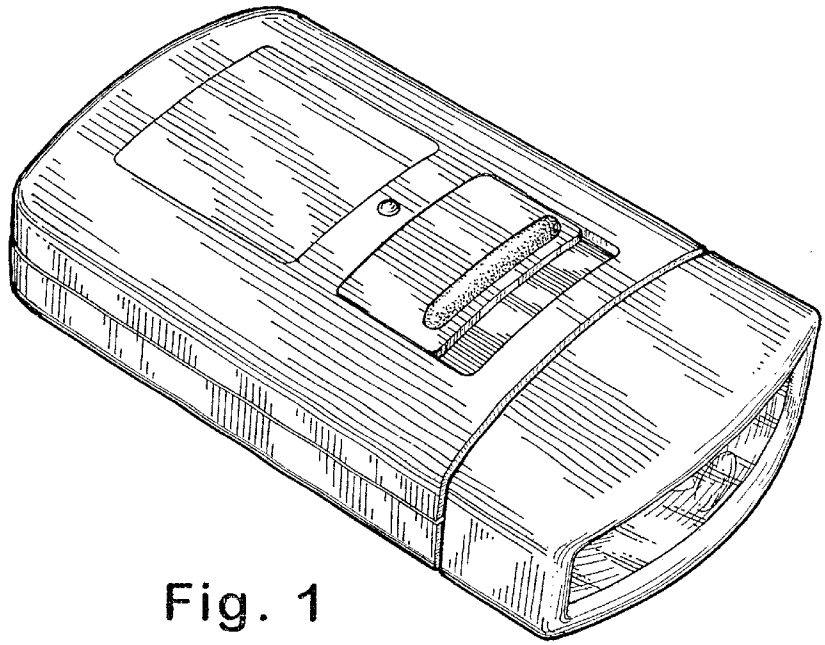


Fig. 1

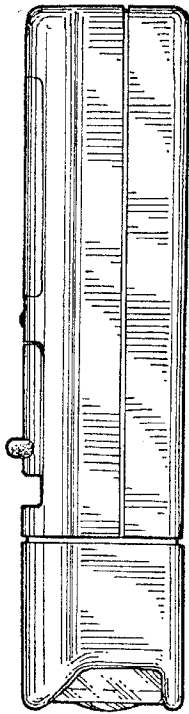


Fig. 2

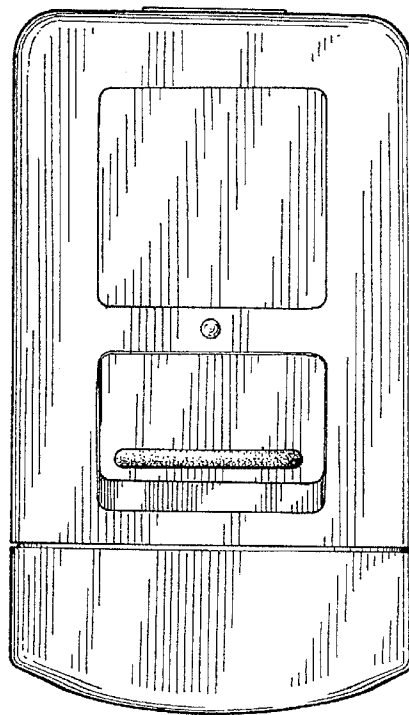


Fig. 3

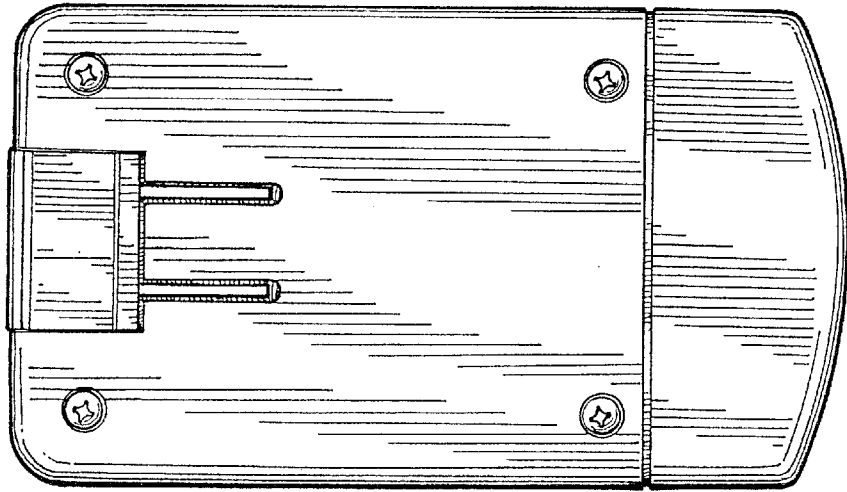


Fig. 5

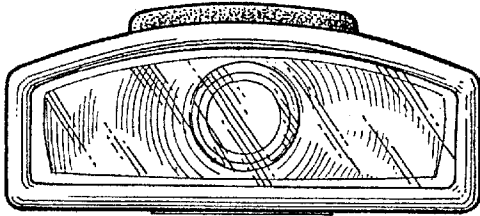


Fig. 4

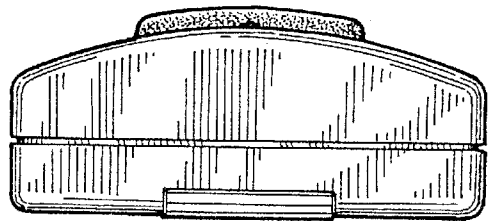


Fig. 6