



US00D802970S

(12) **United States Design Patent**
Henonin

(10) **Patent No.:** **US D802,970 S**

(45) **Date of Patent:** **** Nov. 21, 2017**

(54) **MODULAR FOOD PRODUCT DISPLAY
STAND TOPPER**

(71) Applicant: **Sabritas S. de R.L. de C.V.**, Mexico
City (MX)

(72) Inventor: **Carolina Henonin**, Mexico City (MX)

(73) Assignee: **SABRITAS S. DE R.L. DE C.V.**,
Mexico City (MX)

(**) Term: **15 Years**

(21) Appl. No.: **29/586,115**

(22) Filed: **Nov. 30, 2016**

(51) **LOC (10) Cl.** **06-06**

(52) **U.S. Cl.**
USPC **D6/675**

(58) **Field of Classification Search**
USPC D3/318, 323, 326; D6/675, 702, 707,
D6/707.19; D7/387, 396.1, 402, 213
CPC A47B 2210/08; B65D 23/08; B65D 25/34;
B65D 43/00; B65D 43/02
See application file for complete search history.

(56) **References Cited**

U.S. PATENT DOCUMENTS

D383,339 S *	9/1997	Grosfillex	D6/705.7
D414,588 S *	9/1999	Mires	D34/11
6,000,576 A *	12/1999	Liu	B65D 21/064 206/508
D547,175 S *	7/2007	Berg	D9/420
D569,568 S *	5/2008	Blanchard	D32/53.1
D627,088 S *	11/2010	Schwartz	D26/23
D728,240 S *	5/2015	Luburic	B65D 43/161 D3/318
D728,579 S *	5/2015	Mecchella	D14/440

D731,111 S *	6/2015	Chen	D26/128
D734,864 S *	7/2015	Oonuma	D24/216
D767,926 S *	10/2016	Denby	D6/705
9,468,312 B2 *	10/2016	Denby	A47F 5/0043
D784,745 S *	4/2017	Nilsson	D6/705

* cited by examiner

Primary Examiner — Kelley Donnelly

(74) *Attorney, Agent, or Firm* — Krista Y. Chan; Colin P. Cahoon; Carstens & Cahoon, LLP

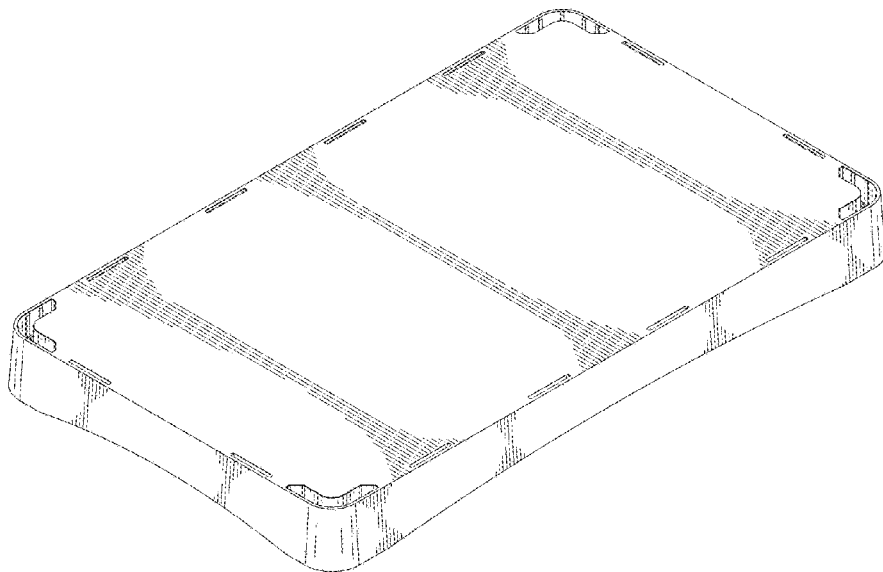
(57) **CLAIM**

The ornamental design for a modular food product display stand topper, as shown and described.

DESCRIPTION

FIG. 1 is a top perspective view of a modular food product display stand topper;
 FIG. 2 is a right side view of a modular food product display stand topper;
 FIG. 3 is a left side view of a modular food product display stand topper;
 FIG. 4 is a back view of a modular food product display stand topper;
 FIG. 5 is a front view of a modular food product display stand topper;
 FIG. 6 is a top view of a modular food product display stand topper;
 FIG. 7 is a bottom view of a modular food product display stand topper;
 FIG. 8 is a bottom perspective view of a modular food product display stand topper; and,
 FIG. 9 is a top perspective view of a modular food product display stand topper, shown with environment.
 The broken line showing of the environment is for illustrative purposes only and forms no part of the claimed design.

1 Claim, 7 Drawing Sheets



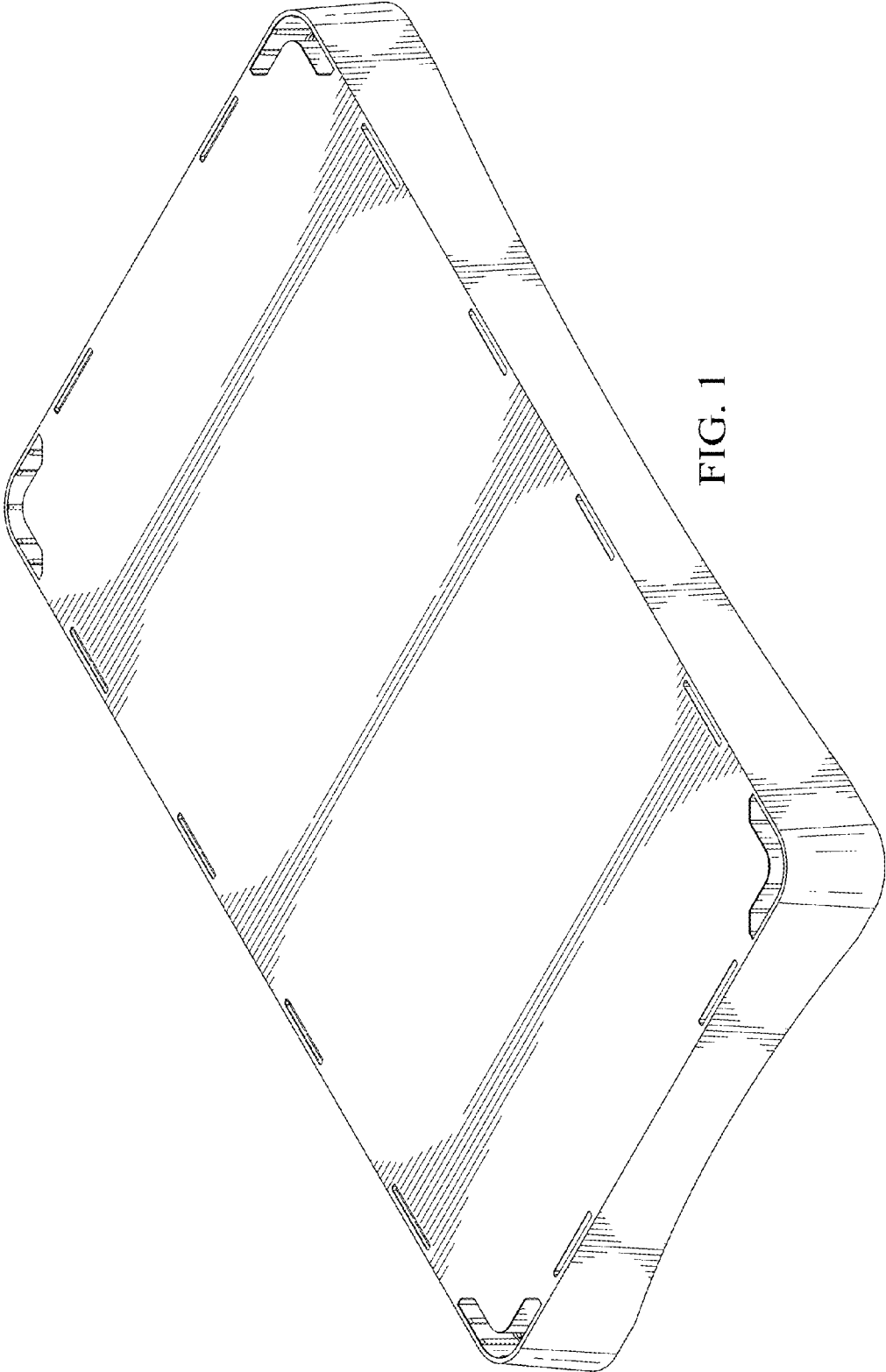


FIG. 1

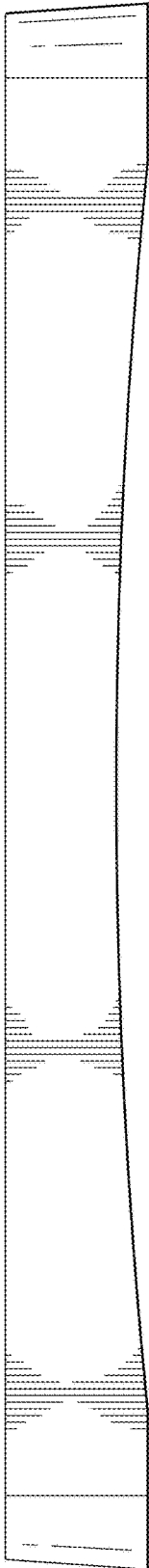


FIG. 2

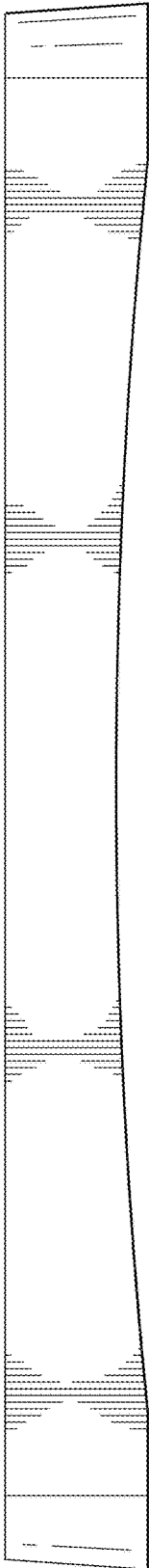


FIG. 3

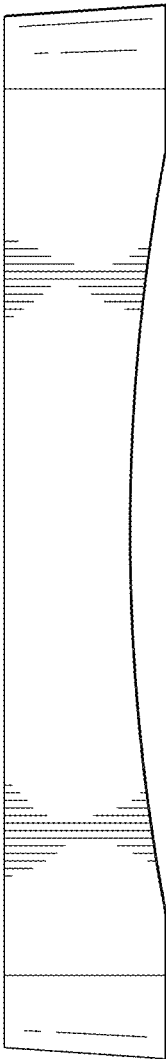


FIG. 4

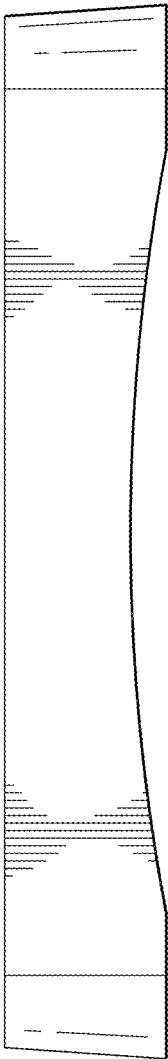


FIG. 5

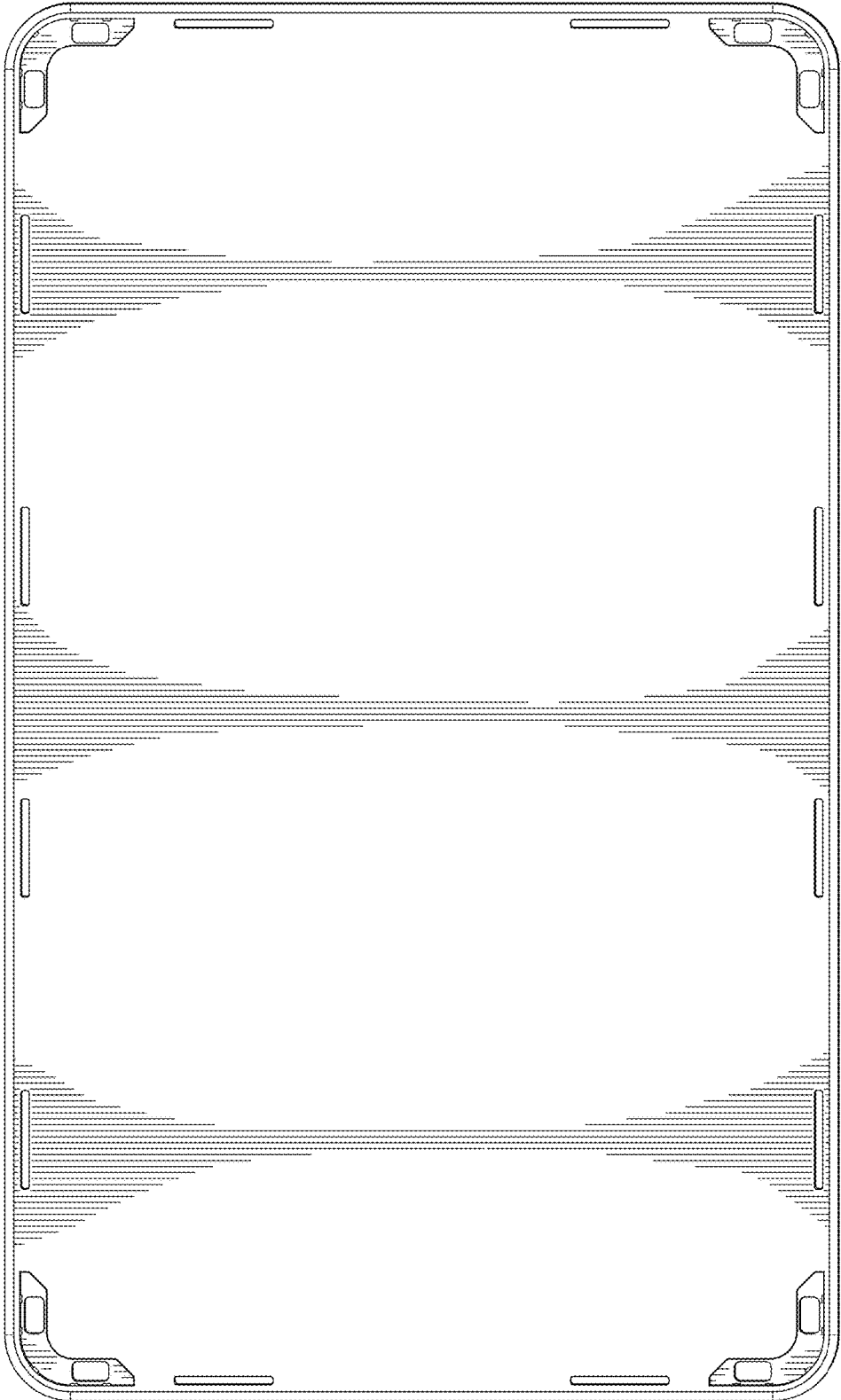


FIG. 6

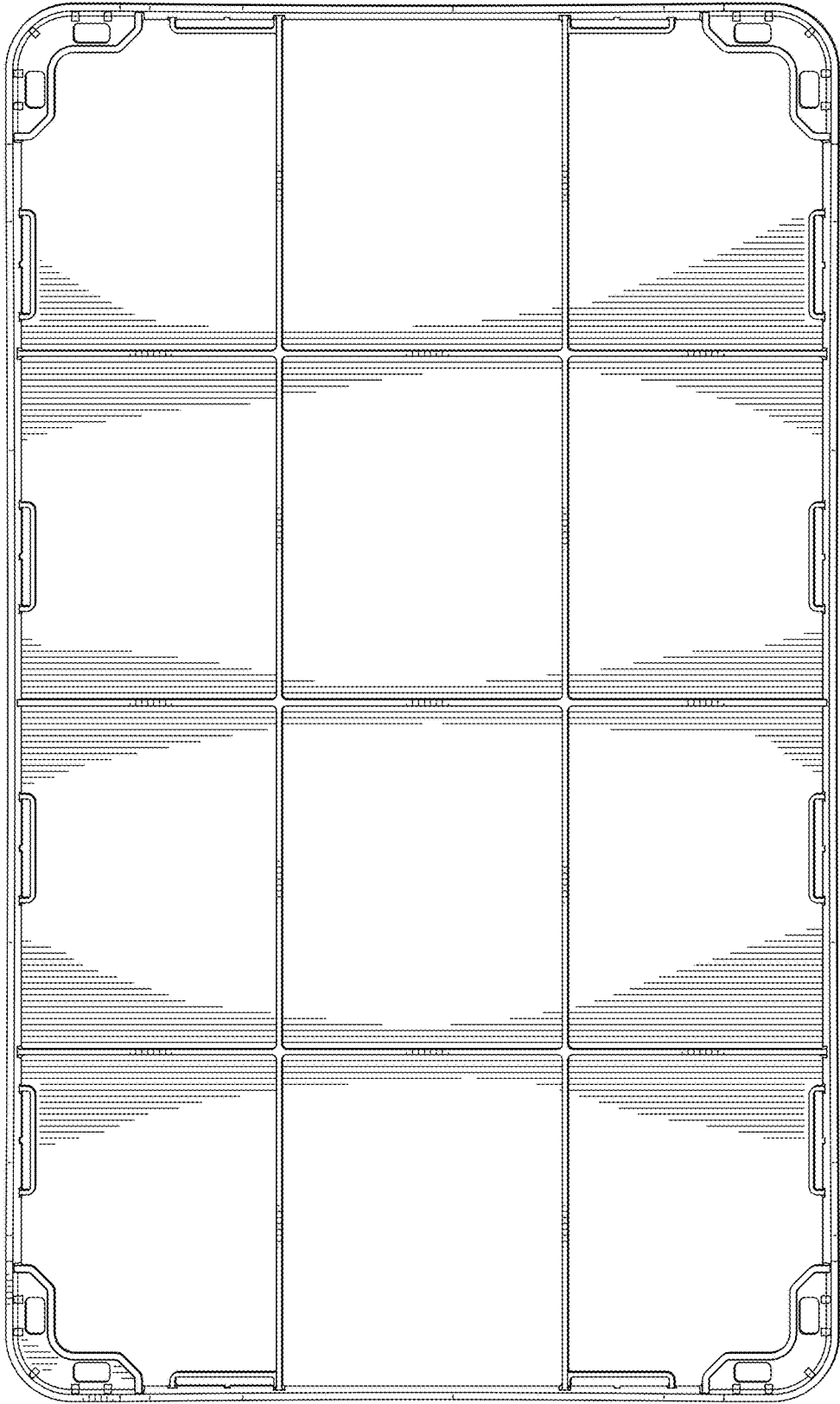


FIG. 7

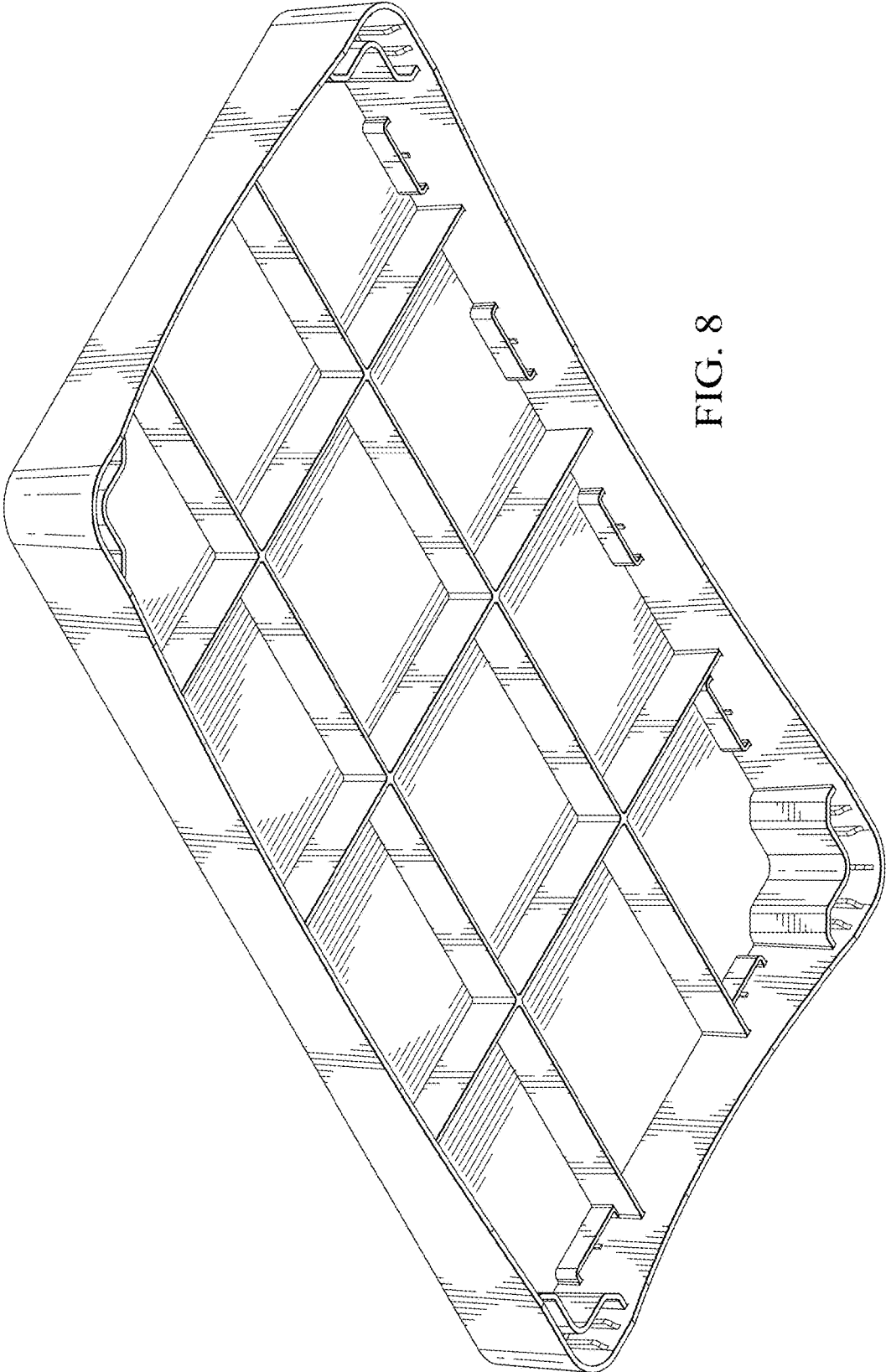


FIG. 8

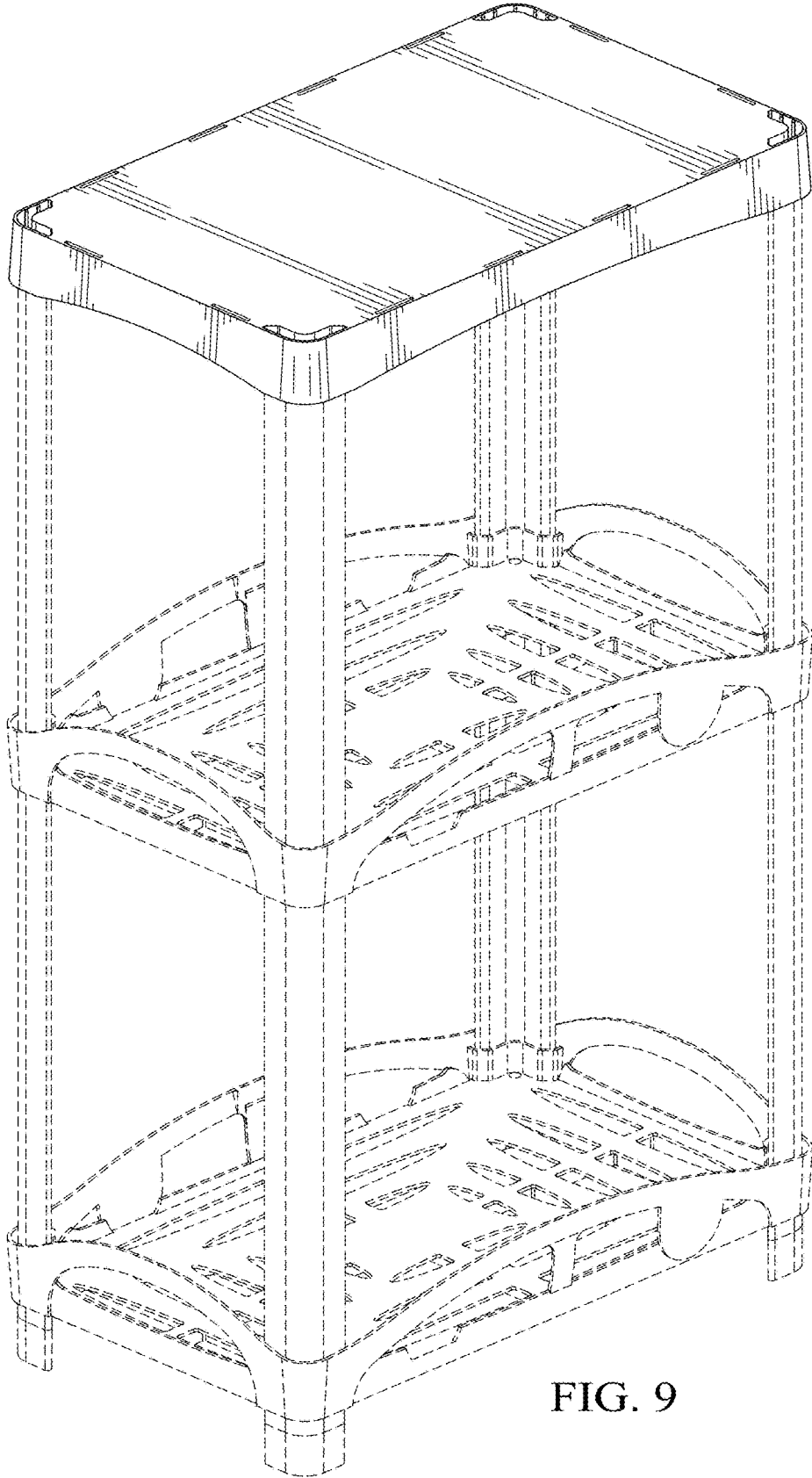


FIG. 9