



US00D742770S

(12) **United States Design Patent**
Windstrup et al.

(10) **Patent No.:** **US D742,770 S**

(45) **Date of Patent:** **** Nov. 10, 2015**

(54) **ENCLOSURE FOR ELECTRONIC DEVICE**

(71) Applicant: **Greenwave Systems, PTE. LTD.,**
Singapore (SG)

(72) Inventors: **Sonny Windstrup,** Singapore (SG);
Karl Jonsson, Irvine, CA (US)

(73) Assignee: **Greenwave Systems PTE. LTD.,**
Singapore (SG)

(**) Term: **14 Years**

(21) Appl. No.: **29/478,518**

(22) Filed: **Jan. 6, 2014**

(51) **LOC (10) Cl.** **10-05**

(52) **U.S. Cl.**
USPC **D10/104.1**

(58) **Field of Classification Search**
USPC D26/9, 10, 12, 13, 15, 16, 24, 51, 61,
D26/72, 76, 80, 81, 85, 86, 88, 90, 113, 118,
D26/119, 120, 122, 128, 129, 138, 143,
D26/144; D13/180; D10/93, 104.1, 108,
D10/114

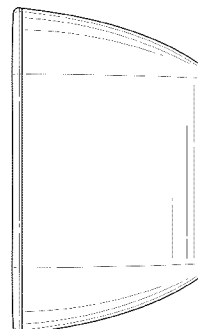
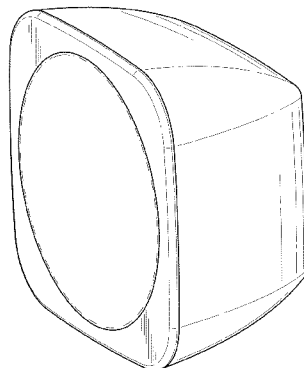
CPC B60Q 1/04; B60Q 1/26; F21S 8/026;
F21S 8/04; F21V 29/004; F21V 21/02;
F21V 21/04; F21V 29/2212; F21Y 2101/02
See application file for complete search history.

(56) **References Cited**

U.S. PATENT DOCUMENTS

3,832,503 A * 8/1974 Crane 200/51 R
4,073,105 A * 2/1978 Daugherty 52/169.9
D271,684 S 12/1983 Berry, Jr.
D294,346 S 2/1988 Holmes
D296,440 S 6/1988 Smith et al.
D306,998 S 4/1990 Mintz et al.
D310,063 S 8/1990 Cheng
D315,315 S * 3/1991 Stairs, Jr. D10/50
D315,893 S 4/1991 Cheng
5,008,788 A * 4/1991 Palinkas 362/231
D326,237 S * 5/1992 Gale et al. D10/114.8
5,258,656 A 11/1993 Pawlick
5,280,135 A * 1/1994 Berlin et al. 174/67

D344,901 S * 3/1994 Conforti D10/50
D344,930 S * 3/1994 Schaeffer D13/171
D352,472 S 11/1994 Chen
D356,274 S * 3/1995 Ross et al. D10/104.1
D360,845 S * 8/1995 Smith et al. D10/121
D364,350 S * 11/1995 Pasquarette et al. D10/50
D378,200 S * 2/1997 Doppelt et al. D10/108
5,650,771 A 7/1997 Lee
5,682,017 A * 10/1997 Marrotte 174/53
D399,617 S * 10/1998 Fujita D32/21
D404,719 S 1/1999 Suzuki
D405,376 S 2/1999 Stekelenburg
D406,047 S * 2/1999 Scherer et al. D8/353
D408,823 S * 4/1999 Kirby D14/240
D432,038 S * 10/2000 Sasaki et al. D10/114.4
6,133,531 A * 10/2000 Hayduke et al. 174/67
D435,246 S * 12/2000 De brey et al. D13/152
D442,921 S * 5/2001 Bonn D13/174
D451,218 S * 11/2001 Bernier D26/28
D469,411 S * 1/2003 Decosse D13/174
D469,711 S * 2/2003 Neufeglise et al. D10/114.4
D475,370 S 6/2003 Bone et al.
D488,138 S * 4/2004 Parsadayan et al. D13/184
D492,047 S * 6/2004 Dohogne et al. D26/28
D492,262 S * 6/2004 Murray D13/162
D499,656 S * 12/2004 Bhavnani D10/40
D506,845 S * 6/2005 Wernimont D26/31
D512,790 S * 12/2005 Handsaker et al. D26/28
D514,097 S 1/2006 De Leon
D521,001 S 5/2006 Xiao et al.
D530,325 S 10/2006 Kerila et al.
D534,285 S * 12/2006 Williams D26/28
D535,650 S 1/2007 Wong et al.
7,241,952 B2 * 7/2007 Dinh 174/67
7,246,926 B2 * 7/2007 Harwood 362/365
D561,114 S * 2/2008 Peterson D13/162
D562,317 S 2/2008 Lagerberg et al.
7,359,295 B2 * 4/2008 Nakayama et al. 369/44.37
D570,300 S * 6/2008 Weinberg D13/174
7,401,935 B2 * 7/2008 VanderSchuit 362/101
D574,332 S 8/2008 Filban et al.
D574,834 S 8/2008 Chen
D575,775 S 8/2008 Sekine
7,446,749 B2 * 11/2008 Lee et al. 345/101
D583,828 S * 12/2008 Li et al. D14/496
D595,646 S * 7/2009 Dallaire D13/103
D603,344 S 11/2009 Pradhan
D614,150 S * 4/2010 Crites D13/174
D618,384 S * 6/2010 Chen et al. D26/120
D619,752 S * 7/2010 Zhang D26/120
7,935,889 B1 * 5/2011 Clegghorn 174/66
7,961,111 B2 6/2011 Tinaphong et al.
D641,368 S * 7/2011 McParland D14/434



8,013,545	B2	9/2011	Jonsson	
D647,418	S *	10/2011	Miller et al.	D10/114.4
D653,662	S	2/2012	Park et al.	
D654,880	S *	2/2012	Lam	D13/174
D654,917	S	2/2012	Chaturvedi et al.	
D658,598	S *	5/2012	Ling et al.	D13/177
D661,665	S *	6/2012	Windstrup et al.	D13/168
D661,698	S	6/2012	Chaturvedi et al.	
D663,643	S *	7/2012	Saikawa et al.	D10/108
D664,143	S	7/2012	Chaturvedi et al.	
D671,851	S *	12/2012	Treharne et al.	D10/81
D673,564	S	1/2013	Milliff	
D677,824	S *	3/2013	Maxik et al.	D26/89
D682,788	S	5/2013	Diehl et al.	
D684,718	S *	6/2013	Ko	D26/72
D684,957	S	6/2013	Smith et al.	
D686,614	S	7/2013	Tan	
D694,944	S *	12/2013	Rhodes	D26/89
D695,238	S *	12/2013	Diehl et al.	D13/168
D695,727	S	12/2013	Shimizu	
D701,636	S *	3/2014	Maxik et al.	D26/89
D703,156	S *	4/2014	Parsons et al.	D13/164
D703,158	S *	4/2014	Parsons et al.	D13/177
D703,619	S *	4/2014	Wilkins, III	D13/156
D705,170	S	5/2014	Diehl et al.	
D705,978	S *	5/2014	Rhodes	D26/89
8,724,046	B2 *	5/2014	Que	349/58
D720,304	S *	12/2014	Haug et al.	D13/168
D725,612	S *	3/2015	Schlegel et al.	D13/174
9,007,186	B1 *	4/2015	Krummey et al.	340/12.32
2006/0050509	A9 *	3/2006	Dowling et al.	362/231
2006/0109661	A1 *	5/2006	Coushaine et al.	362/373
2011/0031819	A1	2/2011	Gunwall	
2011/0098867	A1	4/2011	Jonsson et al.	

OTHER PUBLICATIONS

Motion Sensor Light Switches, image post date Aug. 14, 2015, site visited May 7, 2015, (online), <<http://web.archive.org/web/20140814060133/http://www.p-wholesale.com/e-store/M/M-99.html>>.*

D-Link Wi-Fi Smart Plug and Wi-Fi Motion Sensor, image post date Aug. 6, 2014, site visited May 7, 2015, (online), <<http://www.gadgetreview.com/2014/08/d-link-wi-fi-smart-plug-and-wi-fi-motion-sensor-review>>.*

Z-wave motion sensor, image post date Oct. 17, 2013, site visited May 7, 2015, (online), <<https://www.tineye.com/search/9a4193be7351cb1d55a4dcfeffb89e397e0c5dbd/?pluginver=>>>.*

Aeon Labs, Aeotec DSC24xxx-ZWUS Smart Switch Z-Wave Appliance Module Manual, Jan. 27, 2013, Retrieved from <http://www.smarthome.com/manuals/75514-ins.pdf> on Jun. 27, 2014.

Heath/Zenith, Heath/Zenith Remote Control Products Operating Instructions, Apr. 19, 2006, Retrieved from <http://www.smarthome.com/manuals/25066.pdf> on Jun. 17, 2014.

Ingersol Rand, Schlage Nexia RP200RNX Z-Wave Wireless Plug-in Dimmer Module User Guide, 2011, Retrieved from <http://www.smarthome.com/manuals/51215.pdf> on Jun. 27, 2014.

Insteon, Insteon Hub Owner's Manual, Sep. 27, 2013, retrieved from <http://www.smarthome.com/manuals/2242-x22.pdf> on Jun. 27, 2014.

Insteon, Insteon Outdoor Wireless IP Camera Owners Manual, Aug. 27, 2012, retrieved from <http://www.smarthome.com/manuals/75791.pdf> on Jun. 27, 2014.

Mr.Beams, Installation Instructions for Wireless Motion Sensor LED Spotlight MB330/360, Sep. 24, 2013, Retrieved from <http://www.mrbeams.com/uploads/MB330-MB360%20Spotlight.pdf> on Jun. 27, 2014.

Netgear, Inc. Powerline 500 WIFI Access Point—XWNB5201 Data Sheet, Oct. 17, 2012, retrieved from http://www.downloads.netgear.com/files/GDC/XWNB5201/XWNB5201_PA_DS_17Oct12.pdf on Jun. 27, 2014.

Smarthome, Product page for Belkin F7D7602 NetCam HD Wi-Fi Camera with Night Vision, Jan. 24, 2013, retrieved from <http://www.smarthome.com/44120/Belkin-F7D7602-NetCam-/HD-Wi-Fi-Camera-with-Night-Vision/p.aspx> on Jun. 27, 2014.

Vera Control, Ltd, Micasaverde Quick-Start Guide, Jan. 23, 2012, retrieved from <http://www.smarthome.com/manuals/13705-ins.pdf> on Jun. 27, 2014.

* cited by examiner

Primary Examiner — Kevin Rudzinski

Assistant Examiner — Sean D Lough

(74) Attorney, Agent, or Firm — Bruce A. Young

(57) CLAIM

The ornamental design for the enclosure for electronic device, as shown and described.

DESCRIPTION

FIG. 1 is a front, right and top perspective view of the enclosure;

FIG. 2 shows a front plan view of the enclosure;

FIG. 3 shows a rear plan view of enclosure;

FIG. 4 shows a right side elevation view of the enclosure, the left side elevation view being a mirror image thereof;

FIG. 5 shows a bottom elevation view of the enclosure, the top elevation view being a mirror image thereof;

FIG. 6 shows a side elevation view with unclaimed vents shown in broken lines;

FIG. 7 shows an elevation view of the top or bottom of the enclosure with the unclaimed battery compartment door shown in broken lines;

FIG. 8 shows a bottom elevation view of the enclosure with the unclaimed button and protruding front shown in broken lines;

FIG. 9 shows a rear, left, and bottom perspective view of the enclosure with the unclaimed US-style plug shown in broken lines;

FIG. 10 shows a rear, left, and bottom perspective view of the enclosure with the unclaimed European-style plug shown in broken lines;

FIG. 11 shows a rear, left, and bottom perspective view of the enclosure with an unclaimed mounting socket shown in broken lines;

FIG. 12 shows a rear, left, and bottom perspective view of the enclosure with another unclaimed mounting socket shown in broken lines;

FIG. 13 shows a front right and top perspective view of the enclosure with unclaimed indicators shown in broken lines;

FIG. 14 shows a front right and top perspective view of the enclosure with an unclaimed camera shown in broken lines;

FIG. 15 shows a front right and top perspective view of the enclosure with an unclaimed motion sensor shown in broken lines;

FIG. 16 shows a front right and top perspective view of the enclosure with an unclaimed network bridge shown in broken lines;

FIG. 17 shows a front right and top perspective view of the enclosure with an unclaimed light dimmer module shown in broken lines; and,

FIG. 18 shows a front right and top perspective view of the enclosure with an unclaimed nightlight feature shown in broken lines.

The broken lines (where present) in all Figs. illustrate portions of the enclosure for electronic device that form no part of the claimed design. The dash-dot lines are included to represent the boundaries of the claimed design and form no part of the claimed design.

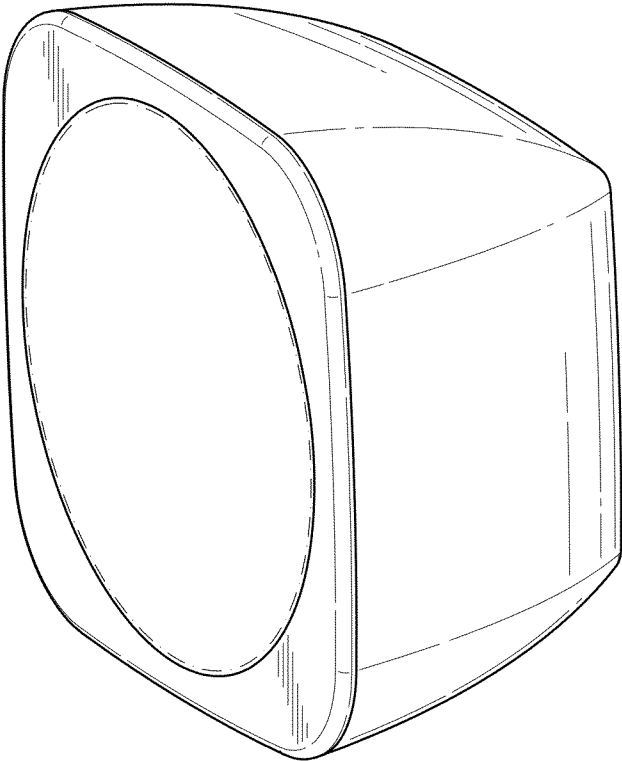


FIG. 1

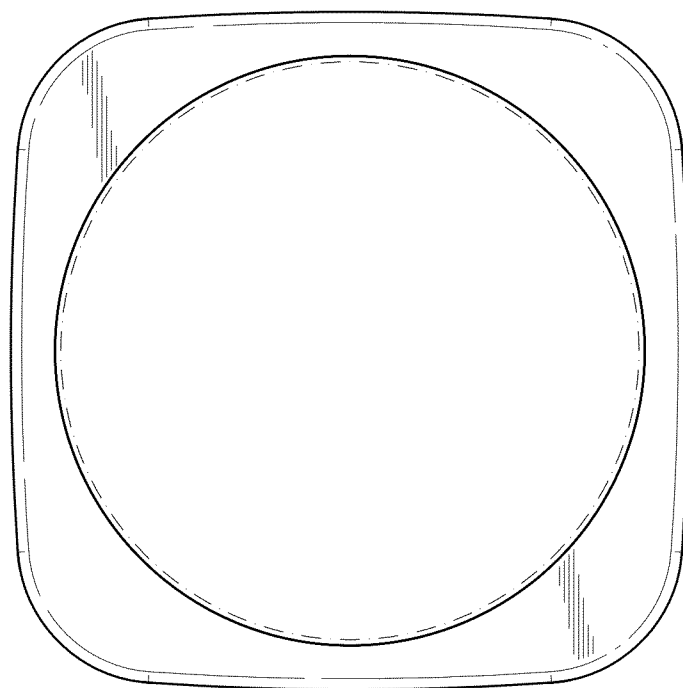


FIG. 2

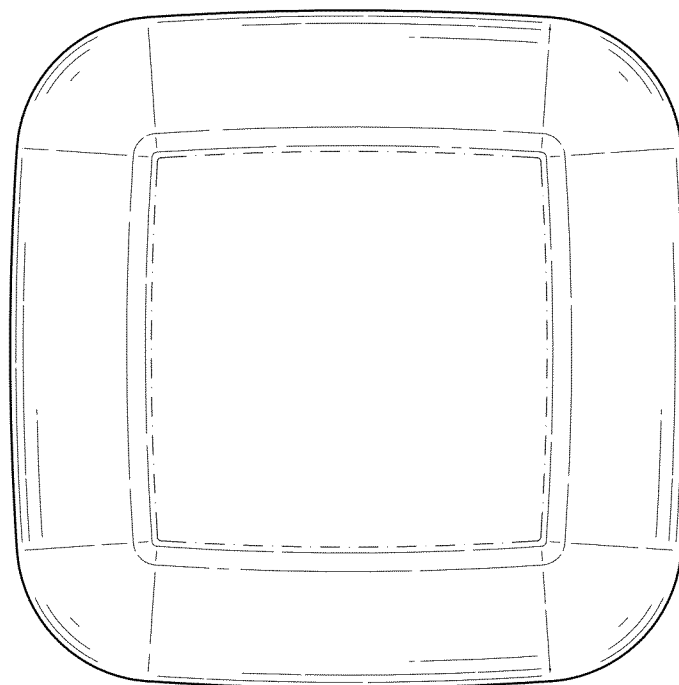


FIG. 3

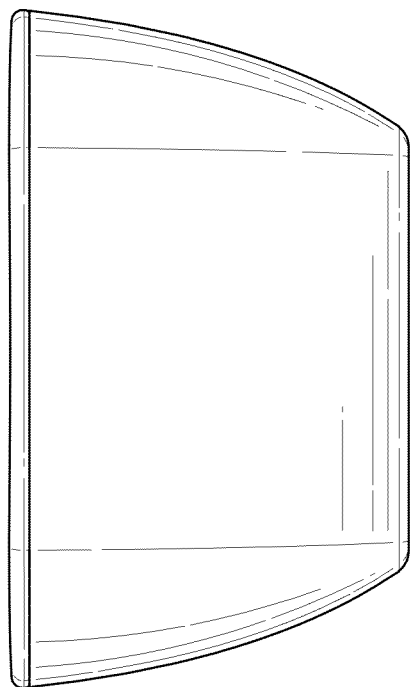


FIG. 4

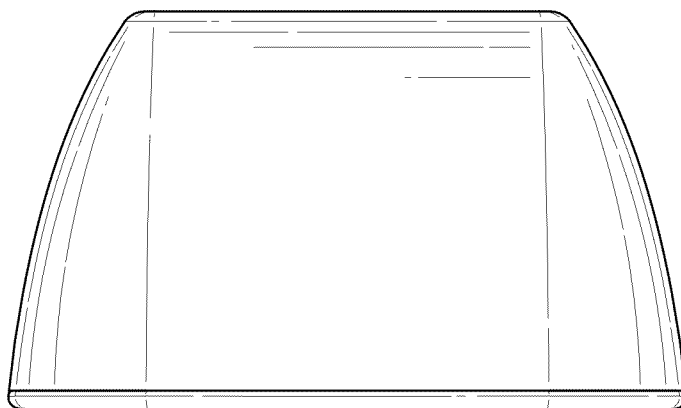


FIG. 5

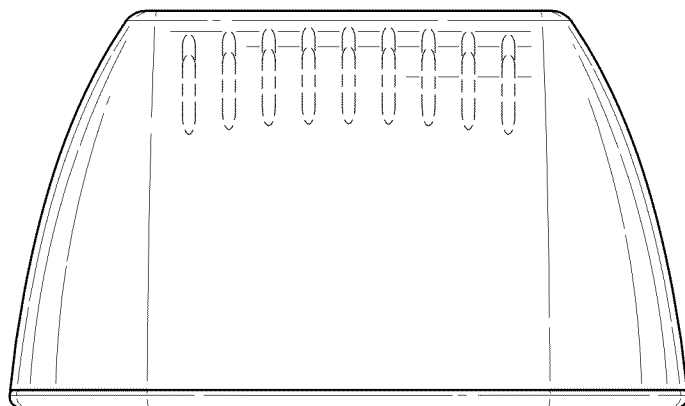


FIG. 6

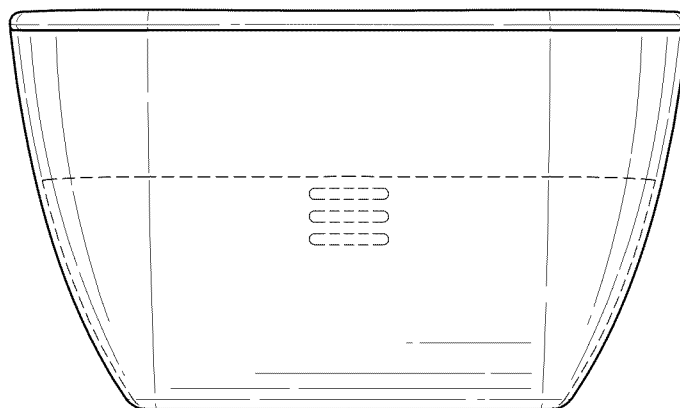


FIG. 7

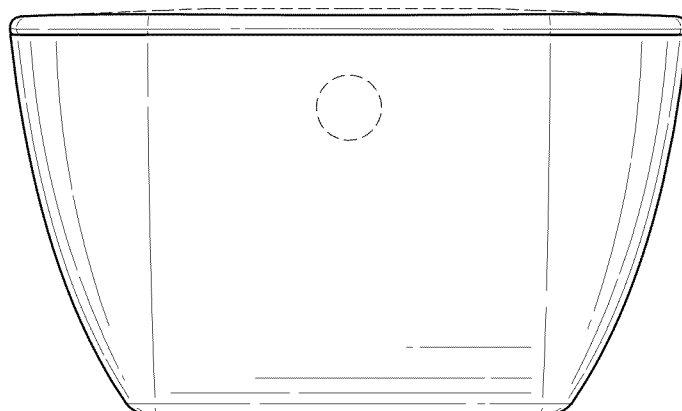


FIG. 8

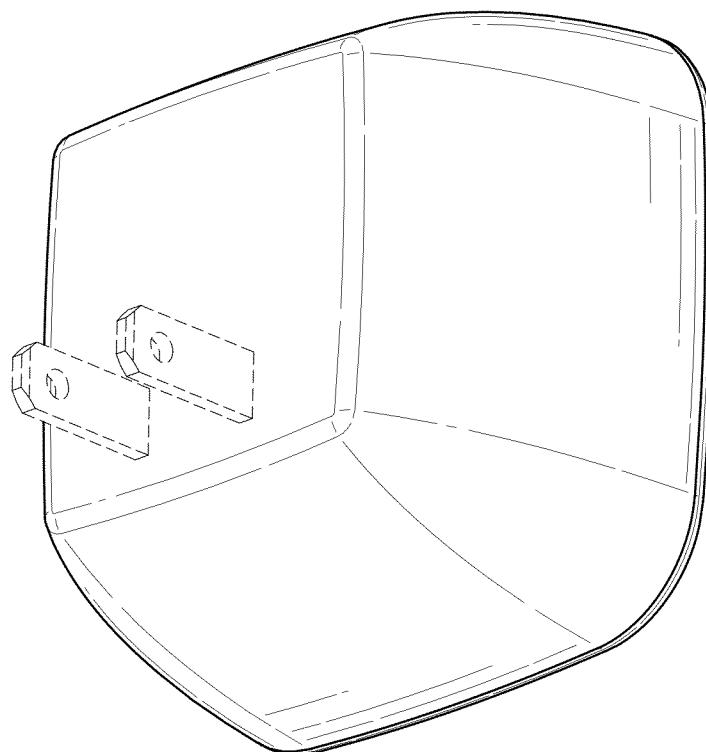


FIG. 9

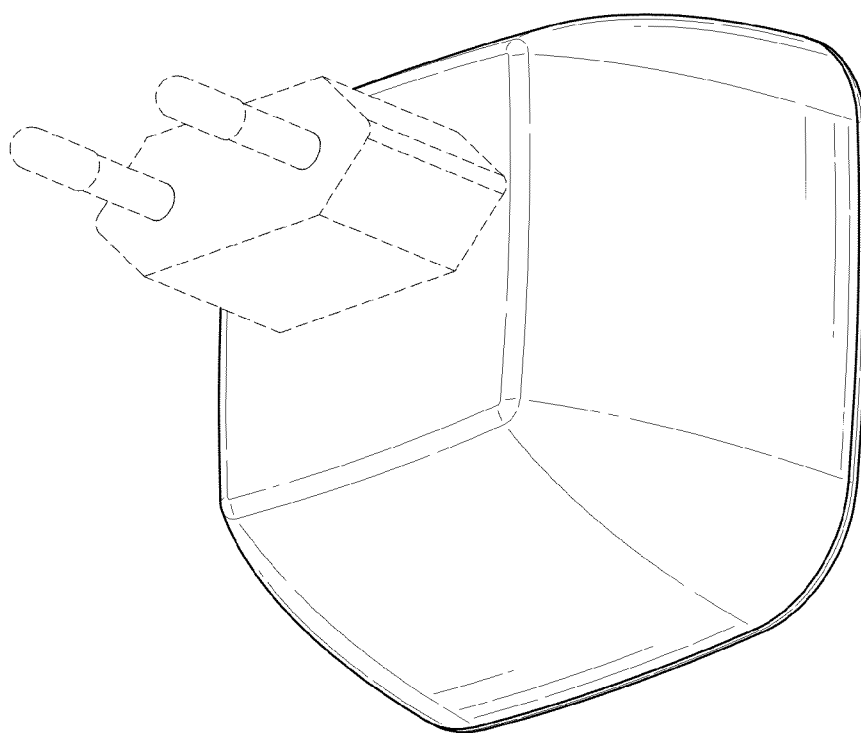


FIG. 10

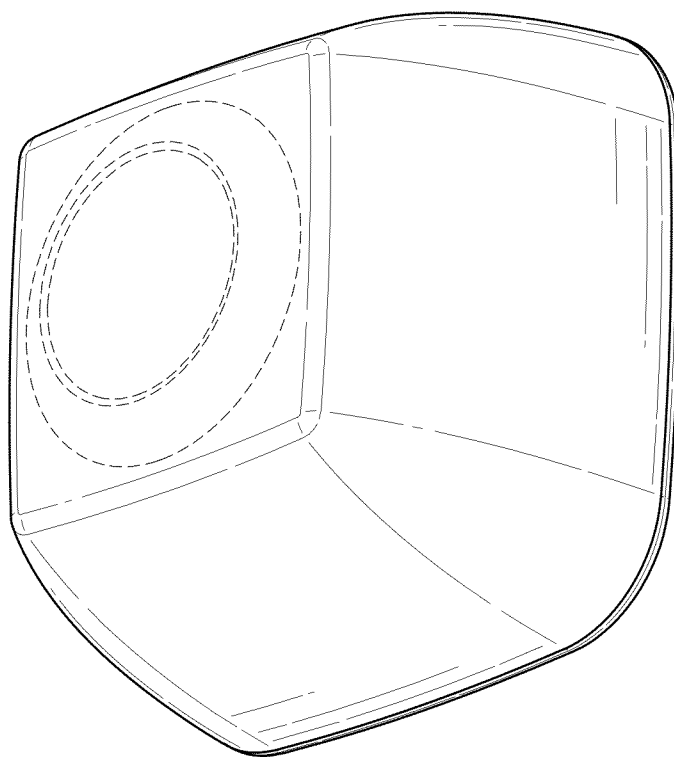


FIG. 11

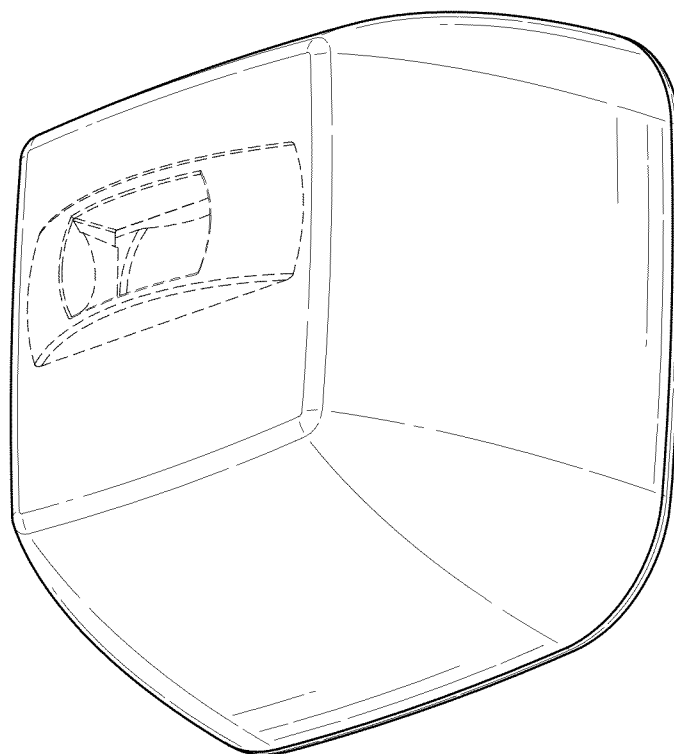


FIG. 12

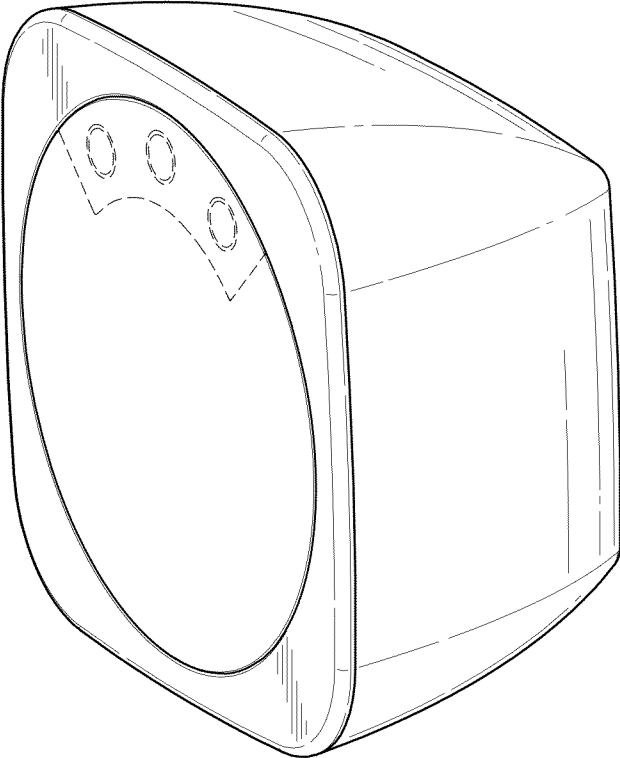


FIG. 13

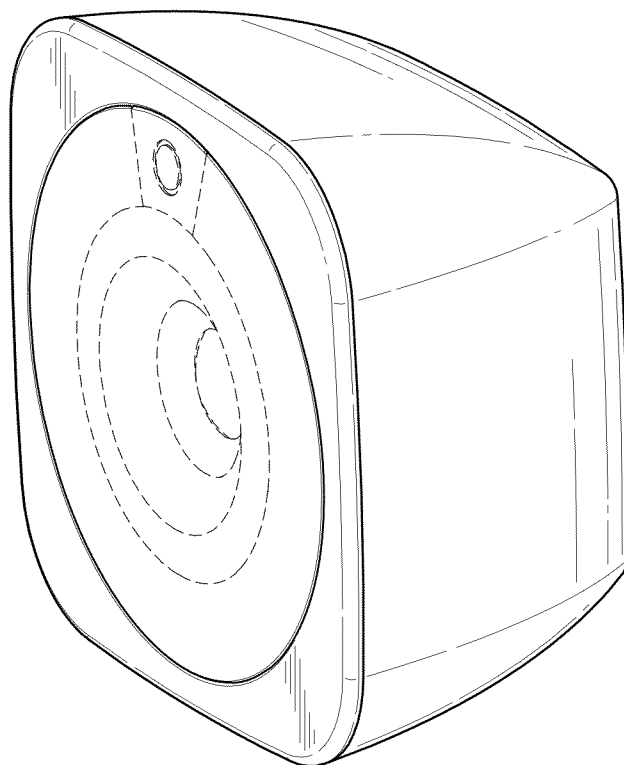


FIG. 14

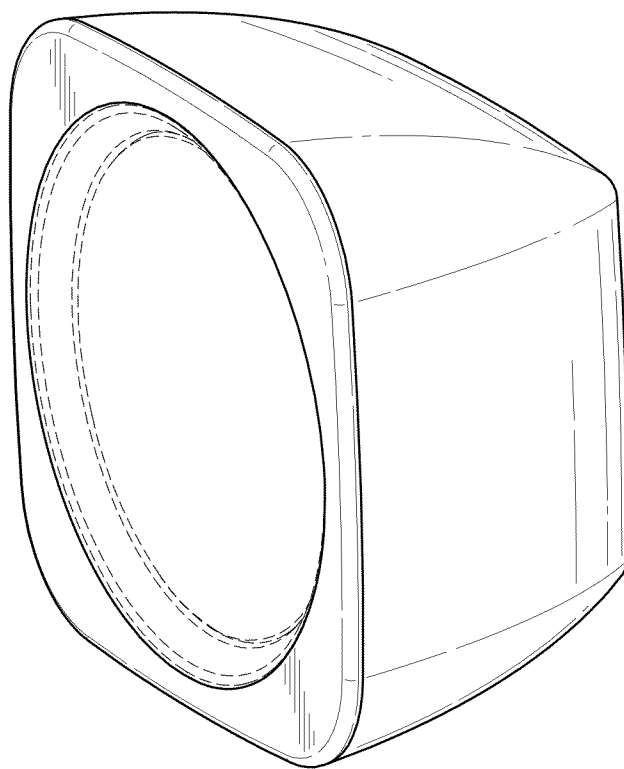


FIG. 15

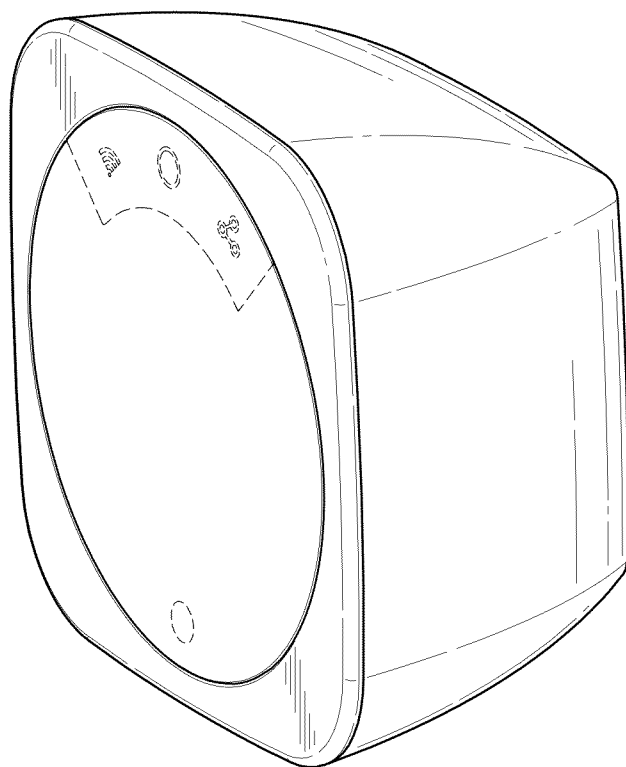


FIG. 16

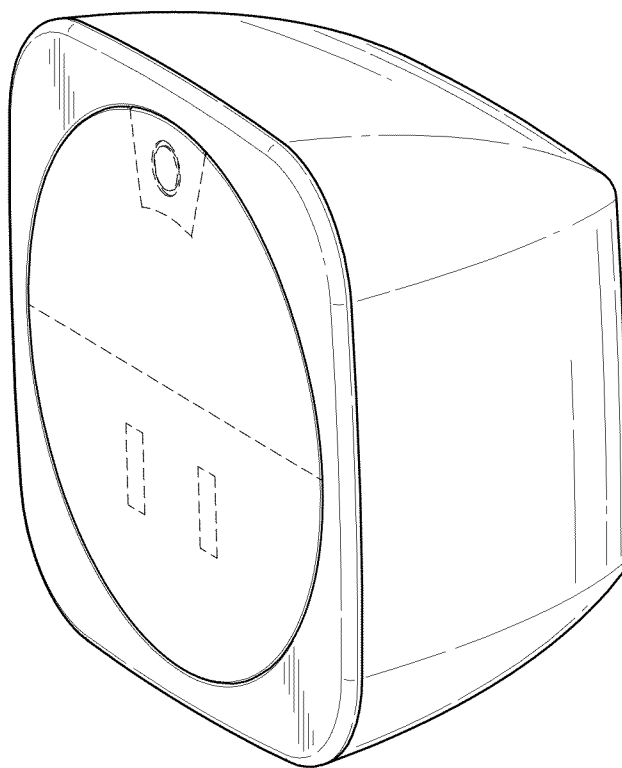


FIG. 17

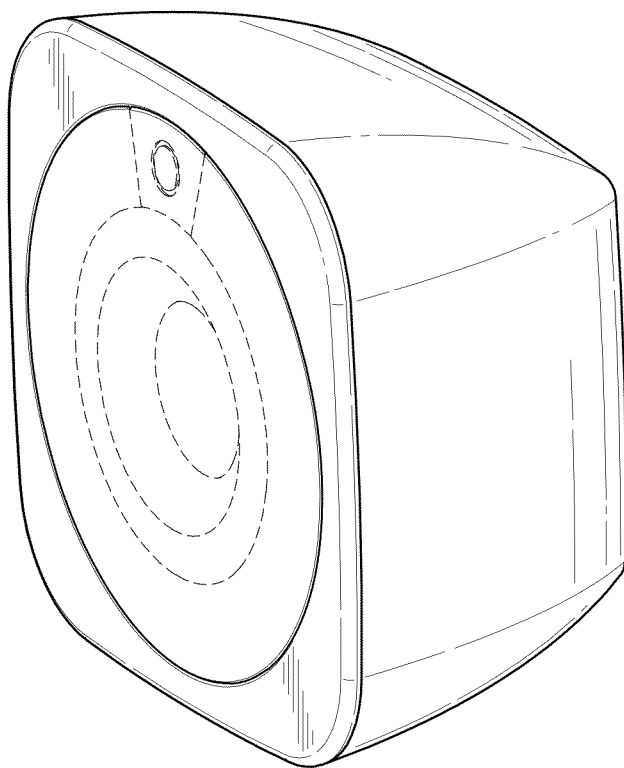


FIG. 18