



US00D897238S

(12) **United States Design Patent**
Sunde et al.

(10) **Patent No.:** **US D897,238 S**

(45) **Date of Patent:** **** Sep. 29, 2020**

(54) **SELECTIVE CUSHIONING APPARATUS FOR A RAILWAY CAR**

(71) Applicant: **Strato, Inc.**, Piscataway, NJ (US)

(72) Inventors: **Jonathan Sunde**, Somerset, NJ (US);
Michael Ring, Lake Village, IN (US)

(73) Assignee: **STRATO, INC.**, Piscataway, NJ (US)

(**) Term: **15 Years**

(21) Appl. No.: **29/646,064**

(22) Filed: **May 1, 2018**

(51) **LOC (12) Cl.** **12-03**

(52) **U.S. Cl.**
USPC **D12/48**

(58) **Field of Classification Search**
USPC D12/36–51
CPC E01B 9/00; E01B 9/02; E01B 9/44; E01B 9/46; E01B 9/685; B60M 1/307; B61F 5/38; B61F 5/52; B61G 9/06; B61G 9/10; B61G 9/22; B61G 9/20; B61G 9/04; B61G 9/24; B61G 9/00
See application file for complete search history.

(56) **References Cited**

U.S. PATENT DOCUMENTS

2,640,602	A *	6/1953	Willison	B61G 9/04	213/45
2,655,270	A *	10/1953	Tucker	B61G 9/06	213/45
2,791,337	A *	5/1957	Blattner	B61G 9/06	213/45
2,825,472	A *	3/1958	Peterson	B61G 9/10	213/22
2,929,518	A *	3/1960	Blattner	B61G 9/06	213/41

5,305,899	A *	4/1994	Kaufhold	B61G 7/10	213/50
D576,917	S *	9/2008	Ely	D12/42	
2002/0070189	A1 *	6/2002	Barker	B61G 9/06	213/62 R
2006/0043044	A1 *	3/2006	Ring	B61G 9/06	213/75 R
2006/0043045	A1 *	3/2006	Sommerfeld	B61G 9/10	213/75 R
2007/0007225	A1 *	1/2007	Meyer	B61G 9/22	213/50
2008/0011700	A1 *	1/2008	Brough	B61G 9/24	213/75 R
2017/0334469	A1 *	11/2017	Johnson	B61G 3/06	
2019/0144014	A1 *	5/2019	Ring	B61G 9/04	
2019/0144015	A1 *	5/2019	Ring	B61G 9/10	

FOREIGN PATENT DOCUMENTS

WO WO-2017201535 A1 * 11/2017 B61G 3/06

* cited by examiner

Primary Examiner — Ania Aman

(74) *Attorney, Agent, or Firm* — Pearl Cohen Zedek Latzer Baratz LLP

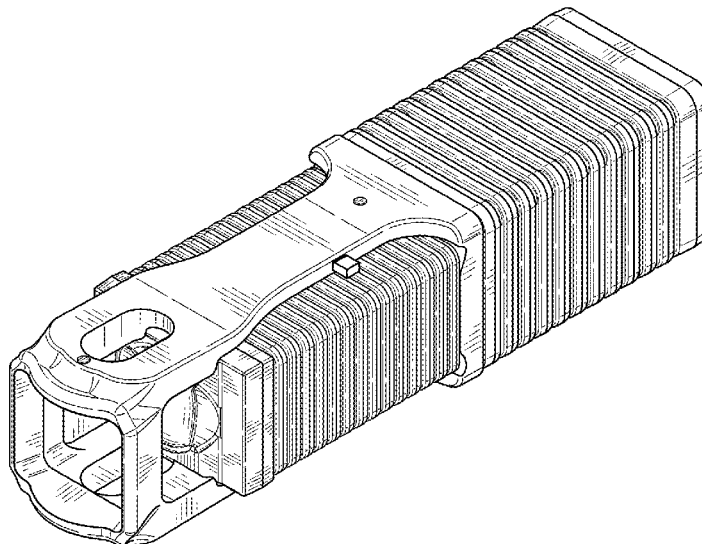
(57) **CLAIM**

The ornamental design for a selective cushioning apparatus for a railway car, as shown and described.

DESCRIPTION

FIG. 1 is a perspective view thereof;
FIG. 2 is a front elevation view thereof;
FIG. 3 is a rear elevation view thereof;
FIG. 4 is a first side elevation view;
FIG. 5 is a second side elevation view;
FIG. 6 is a top view thereof; and,
FIG. 7 is a bottom view thereof.

1 Claim, 6 Drawing Sheets



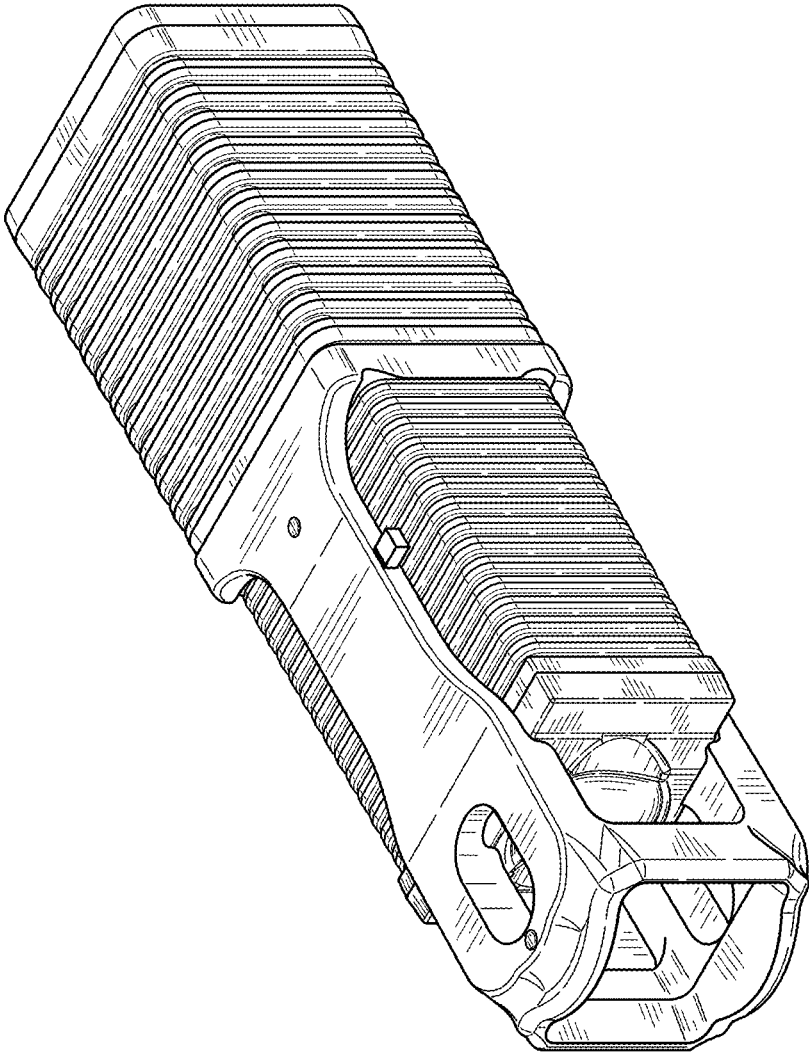


FIG. 1

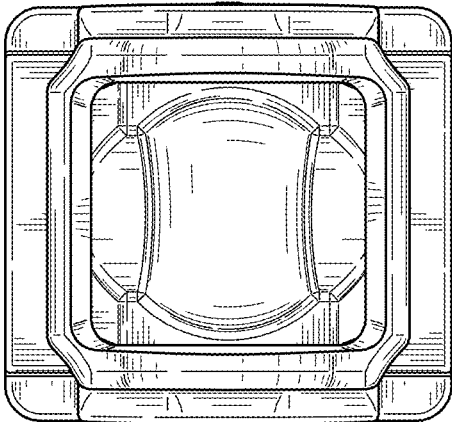


FIG. 2

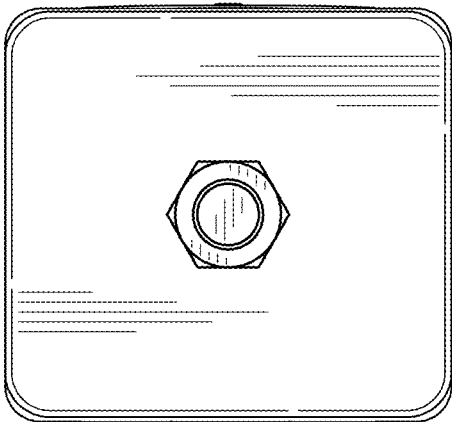


FIG. 3

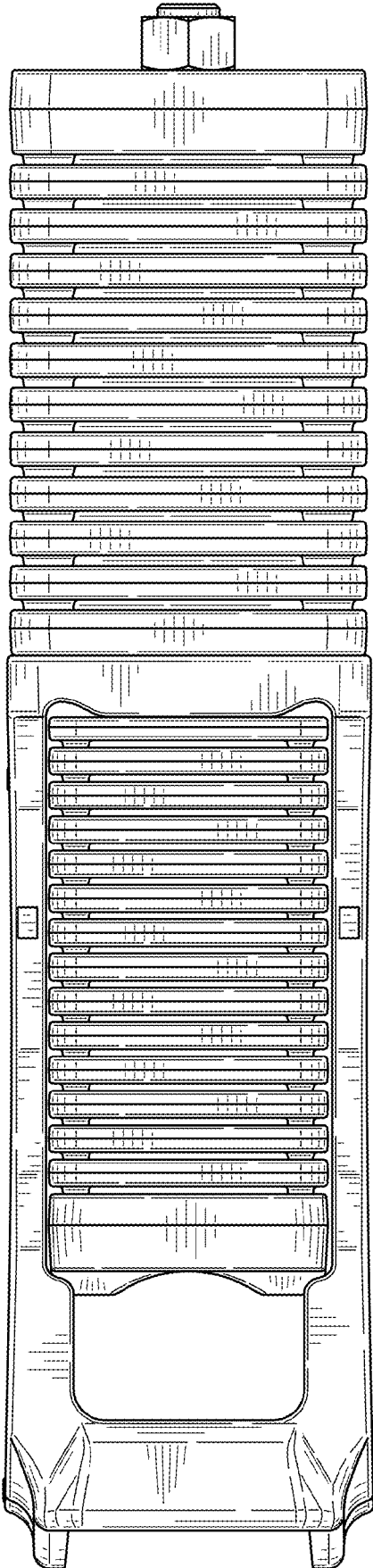


FIG. 4

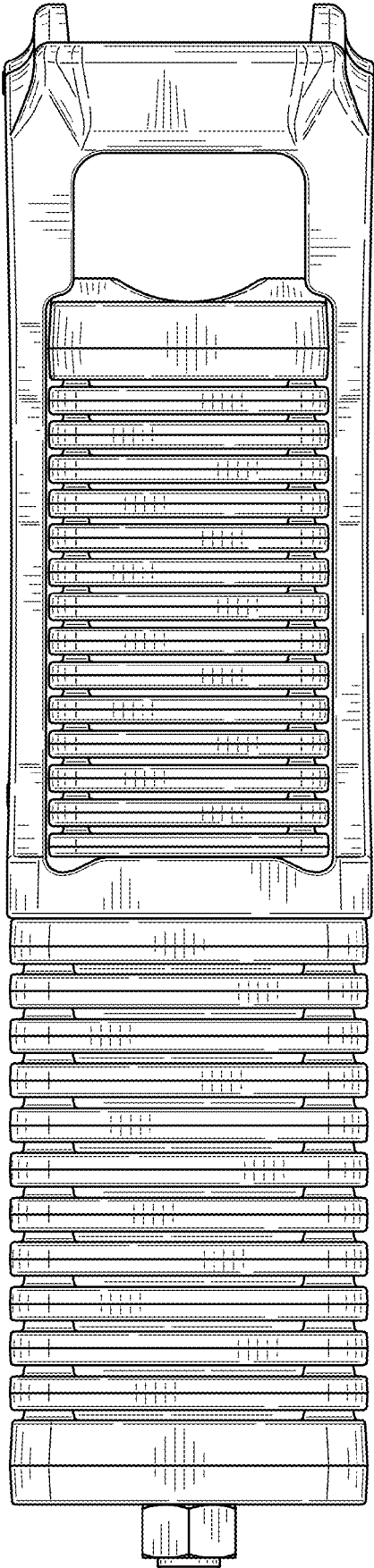


FIG. 5

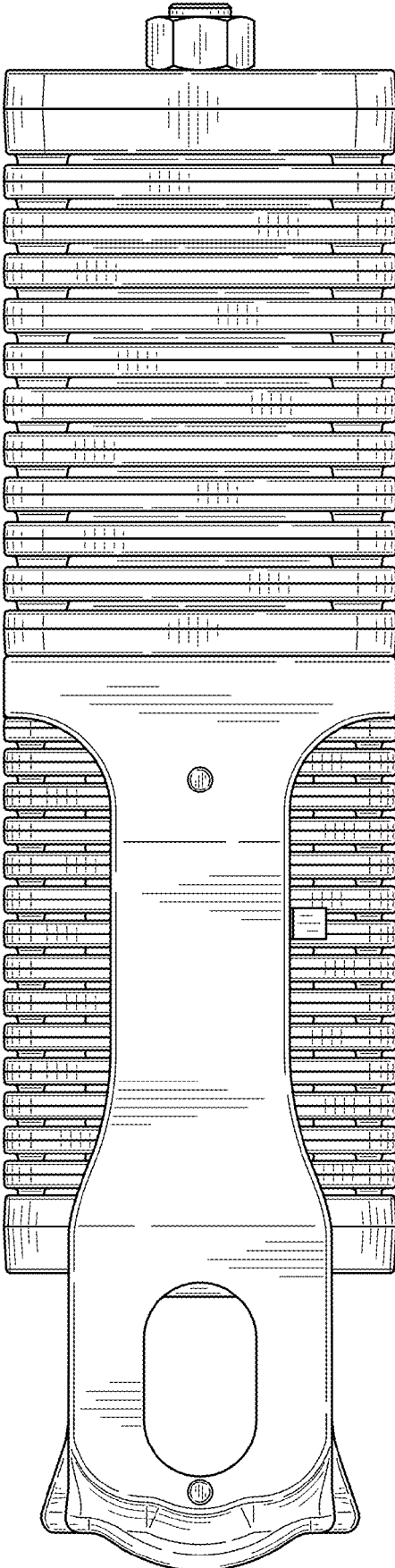


FIG. 6

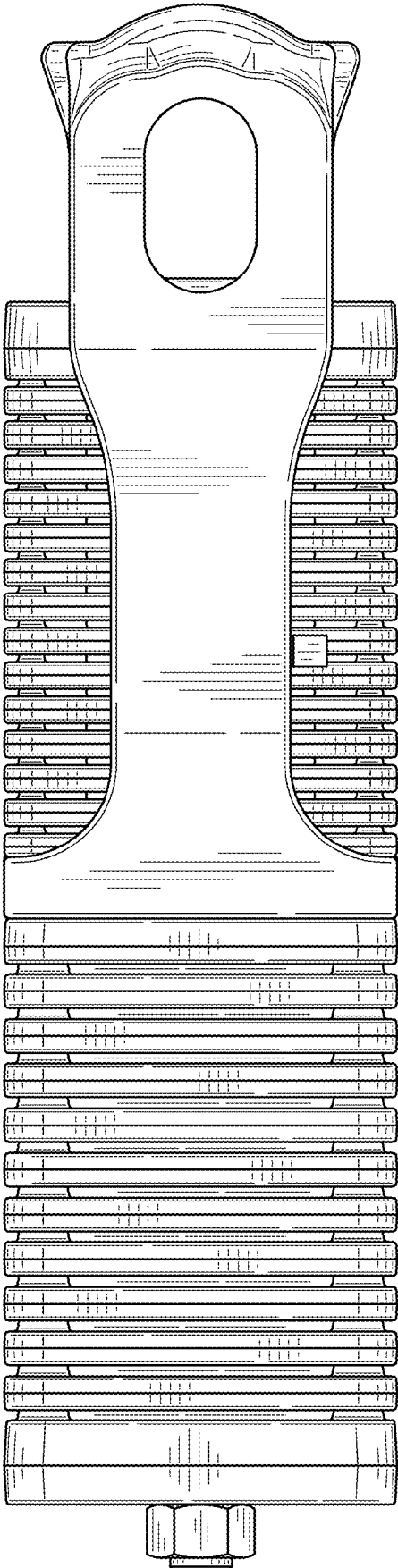


FIG. 7