



US00D517576S

(12) **United States Design Patent**
Conway et al.

(10) **Patent No.:** **US D517,576 S**

(45) **Date of Patent:** **** Mar. 21, 2006**

(54) **KNURLED ELECTRODE FOR A PLASMA ARC TORCH**

D505,963 S * 6/2005 Conway et al. D15/139

* cited by examiner

(75) Inventors: **Christopher J. Conway**, Wilmot, NH (US); **Kevin J. Kinerson**, Corinth, VT (US); **Mark Gugliotta**, Concord, NH (US); **Darrin H. MacKenzie**, Windsor, VT (US)

Primary Examiner—Antoine D. Davis
Assistant Examiner—Patricia Palasik
(74) *Attorney, Agent, or Firm*—Harness, Dickey & Pierce, P.L.C.

(73) Assignee: **Thermal Dynamics Corporation**, West Lebanon, NH (US)

(57) **CLAIM**

(**) Term: **14 Years**

The ornamental design for a knurled electrode for a plasma arc torch, as shown and described.

(21) Appl. No.: **29/197,680**

DESCRIPTION

(22) Filed: **Jan. 16, 2004**

(51) **LOC (8) Cl.** **15-09**

(52) **U.S. Cl.** **D15/144**

(58) **Field of Classification Search** D15/139, D15/144–144.2; 219/121.44–121.5; 313/231.31
See application file for complete search history.

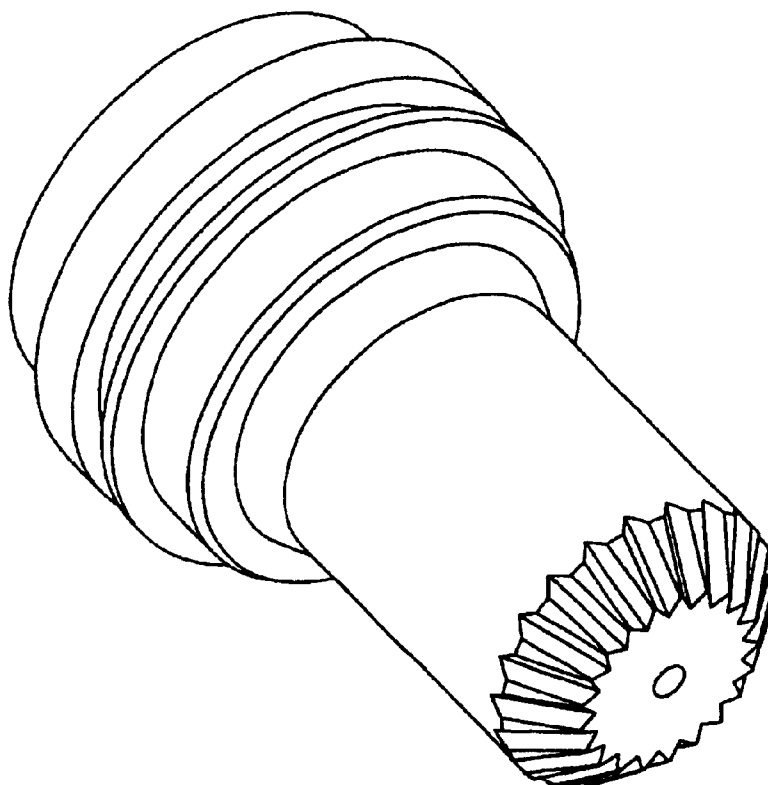
FIG. 1 is a perspective view of the knurled electrode for a plasma arc torch;
FIG. 2 is a perspective view from the distal end thereof;
FIG. 3 is a perspective view from the proximal end thereof;
FIG. 4 is a side elevation view thereof;
FIG. 5 is a top plan view thereof; and,
FIG. 6 is a bottom plan view thereof.

(56) **References Cited**

U.S. PATENT DOCUMENTS

6,559,407 B1 * 5/2003 Chancey et al. 219/121.47

1 Claim, 6 Drawing Sheets



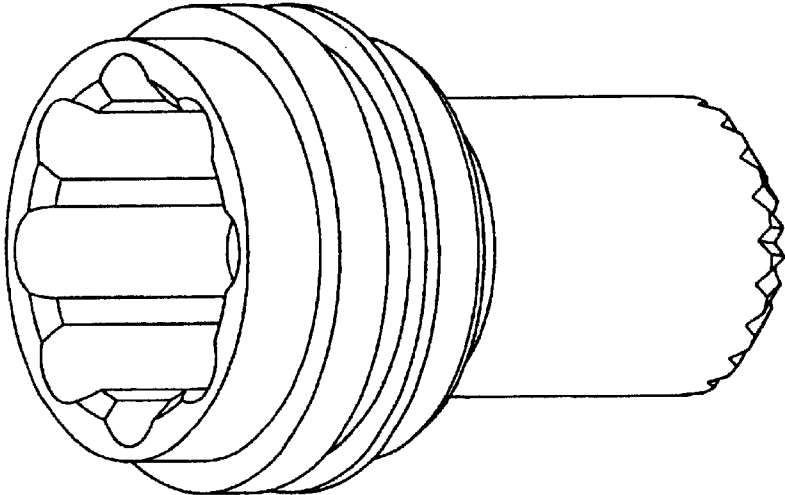


FIG. 1

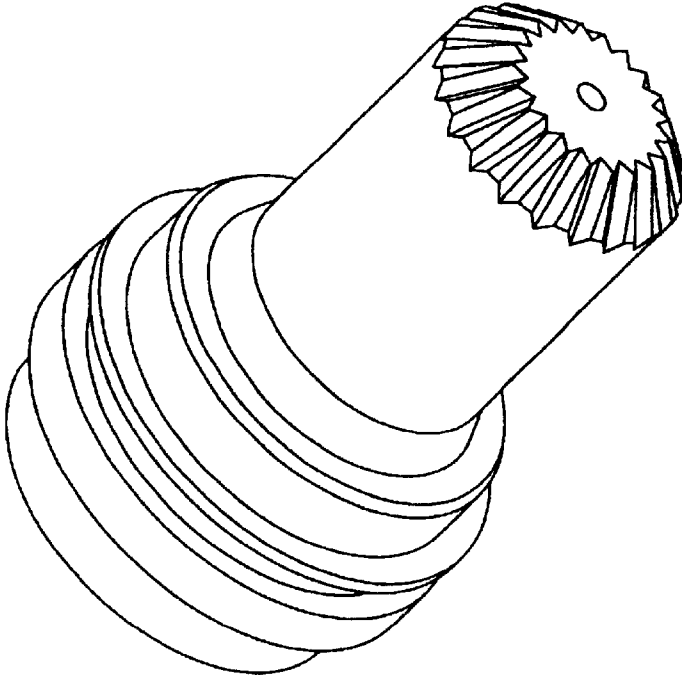


FIG. 2

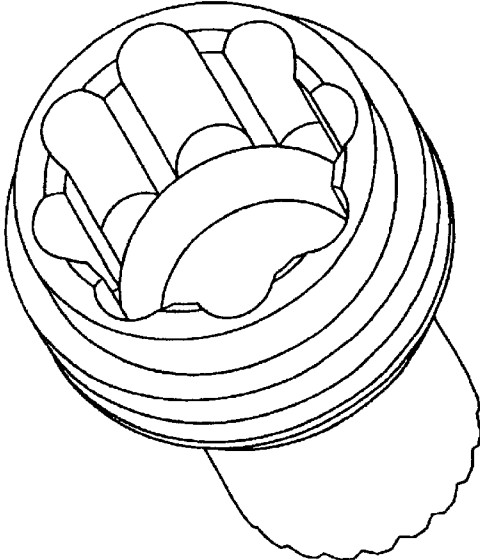


FIG. 3

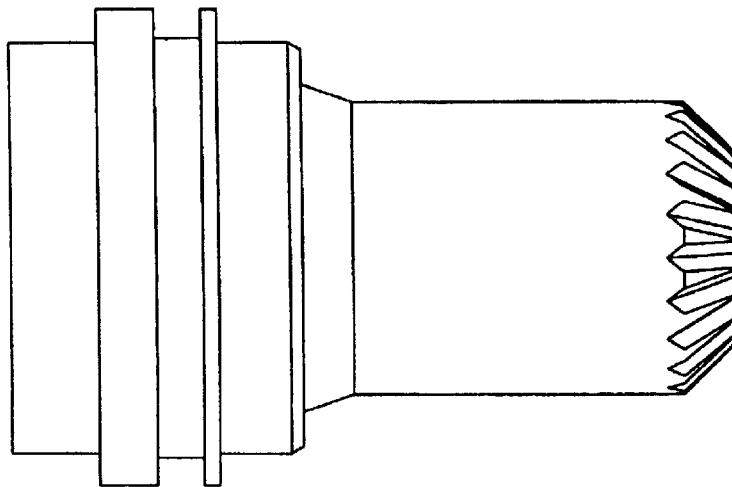


FIG. 4

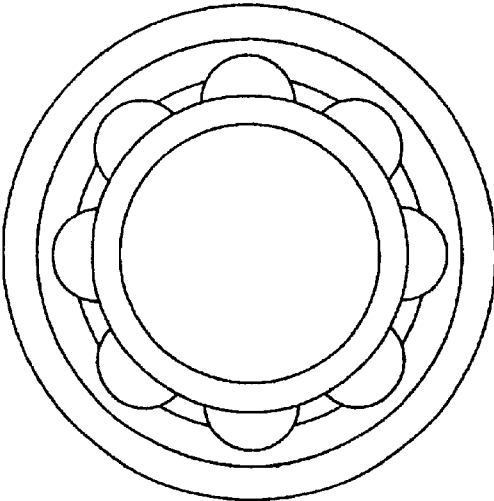


FIG. 5

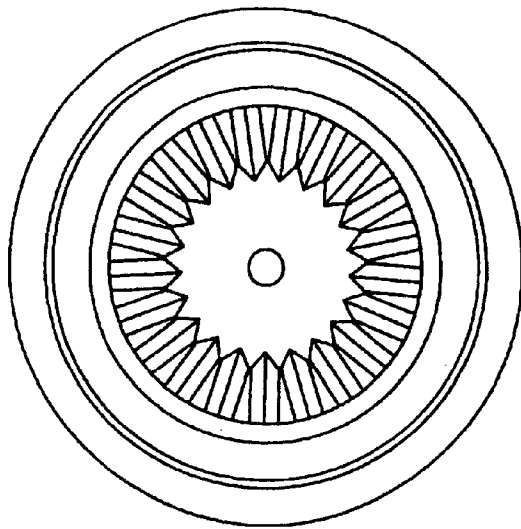


FIG. 6