



US00D840128S

(12) **United States Design Patent**
van Loenhout

(10) **Patent No.:** **US D840,128 S**

(45) **Date of Patent:** **** Feb. 5, 2019**

(54) **SHELF FOR USE IN WHEELED
CONTAINERS, TROLLEYS AND OTHER
LOAD CARRIERS**

(71) Applicant: **Container Centralen A/S, Odense SV
(DK)**

(72) Inventor: **Frits Willem Louis van Loenhout,
Moerdijk (NL)**

(73) Assignee: **Container Centralen A/S, Odense SV
(DK)**

(**) Term: **15 Years**

(21) Appl. No.: **29/583,920**

(22) Filed: **Nov. 10, 2016**

(30) **Foreign Application Priority Data**

May 10, 2016 (EM) 003119452-0003

(51) **LOC (11) Cl.** **12-02**

(52) **U.S. Cl.**
USPC **D34/27**

(58) **Field of Classification Search**
USPC D34/12, 27, 21; 280/33.992, 33.996,
280/33.997
CPC B62B 3/14; B62B 3/1476; B62B 3/1408;
B62B 3/1488; B62B 3/1472; B62B 3/02;
B62B 3/182; B62B 3/186; A47F 5/08;
A47F 5/0018; A47F 5/0031; A47F 5/0043
See application file for complete search history.

(56) **References Cited**

U.S. PATENT DOCUMENTS

3,225,720 A * 12/1965 Maslow A47B 55/02
108/181
D304,115 S * 10/1989 Cohn D34/12
5,024,336 A * 6/1991 Spamer A47F 3/14
211/153

5,709,158 A * 1/1998 Wareheim A47B 87/0246
108/180
7,055,704 B2 * 6/2006 Alter A47B 47/028
108/51.11
D720,112 S * 12/2014 Liao D34/27
D733,988 S * 7/2015 Raninen D34/27
2011/0285099 A1 * 11/2011 Volper B62B 3/02
280/47.11
2017/0055709 A1 * 3/2017 Nowe A01G 9/143
2017/0197647 A1 * 7/2017 Bouma B62B 3/005

* cited by examiner

Primary Examiner — Cynthia Ramirez

(74) *Attorney, Agent, or Firm* — Walter | Haverfield LLP;
Sean F. Mellino; D. Peter Hochberg

(57) **CLAIM**

The ornamental design for a shelf for use in wheeled containers, trolleys and other load carriers, as shown and described.

DESCRIPTION

FIG. 1 is a perspective view of the shelf for use in wheeled containers, trolleys and other load carriers according to the present invention;

FIG. 2 is a top view of the shelf for use in wheeled containers, trolleys and other load carriers according to the present invention as shown in FIG. 1;

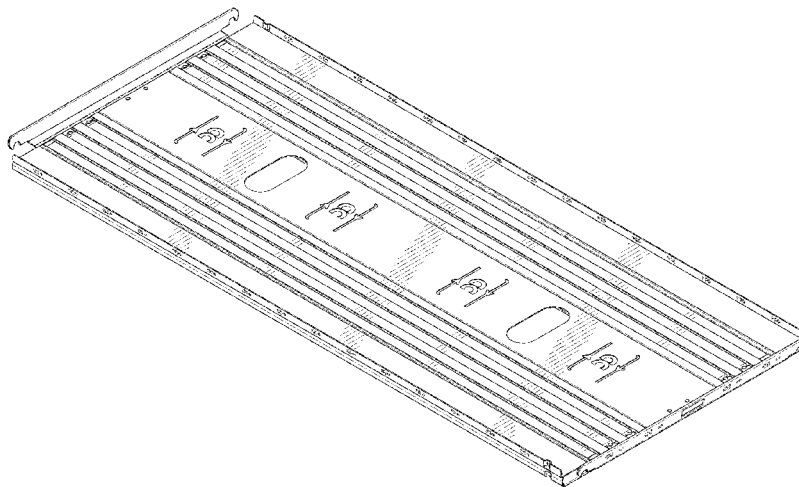
FIG. 3 is a front view of the shelf for use in wheeled containers, trolleys and other load carriers according to the present invention as shown in FIG. 1;

FIG. 4 is a side view of the shelf for use in wheeled containers, trolleys and other load carriers according to the present invention as shown in FIG. 1, it being understood that the opposing side view is identical; and,

FIG. 5 is a bottom view of the shelf for use in wheeled containers, trolleys and other load carriers according to the present invention as shown in FIG. 1.

The broken lines in FIGS. 1, 3 and 4 are to show portions of the shelf for use in wheeled containers, trolleys and other load which form no part of the claimed design.

1 Claim, 4 Drawing Sheets



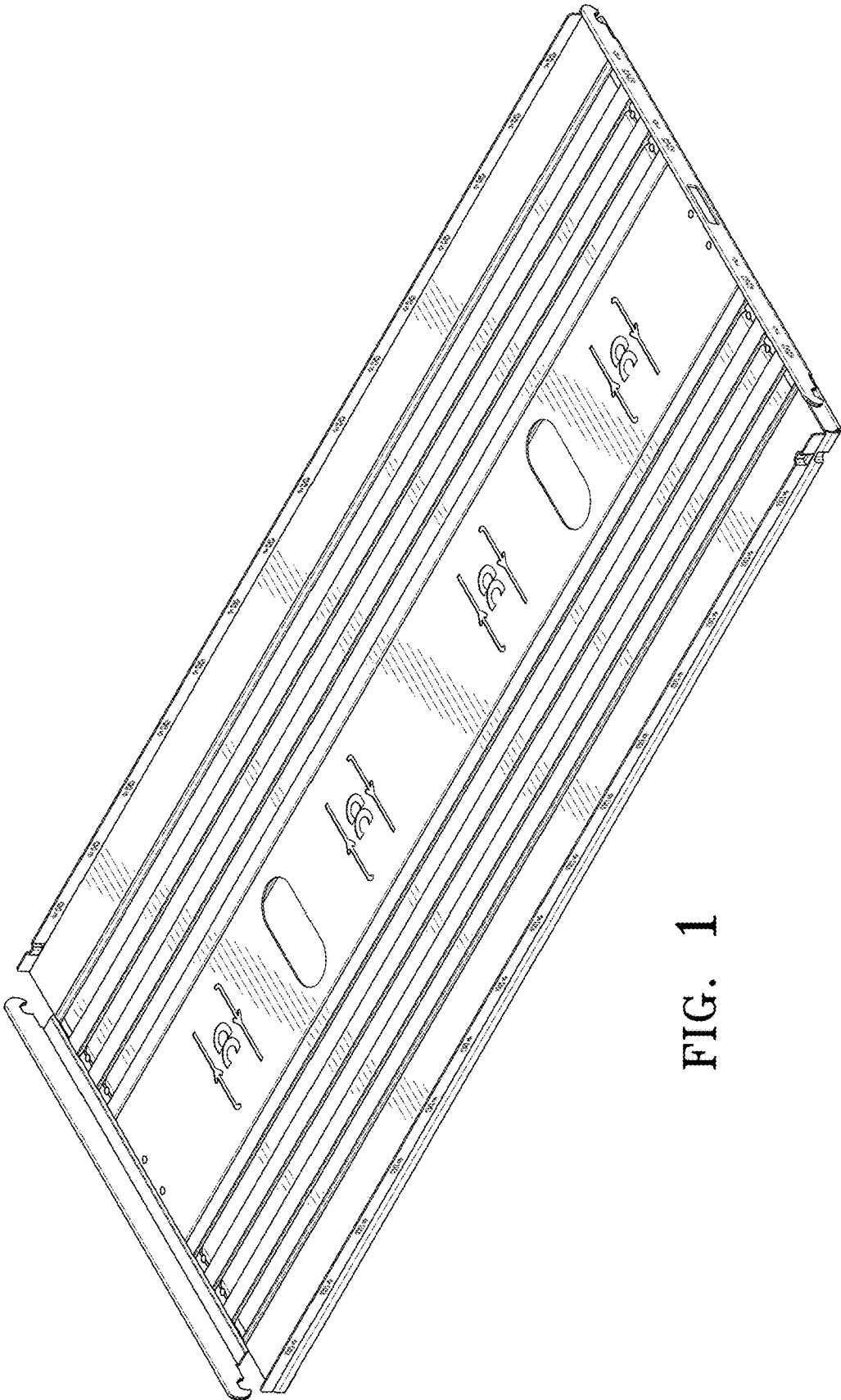


FIG. 1

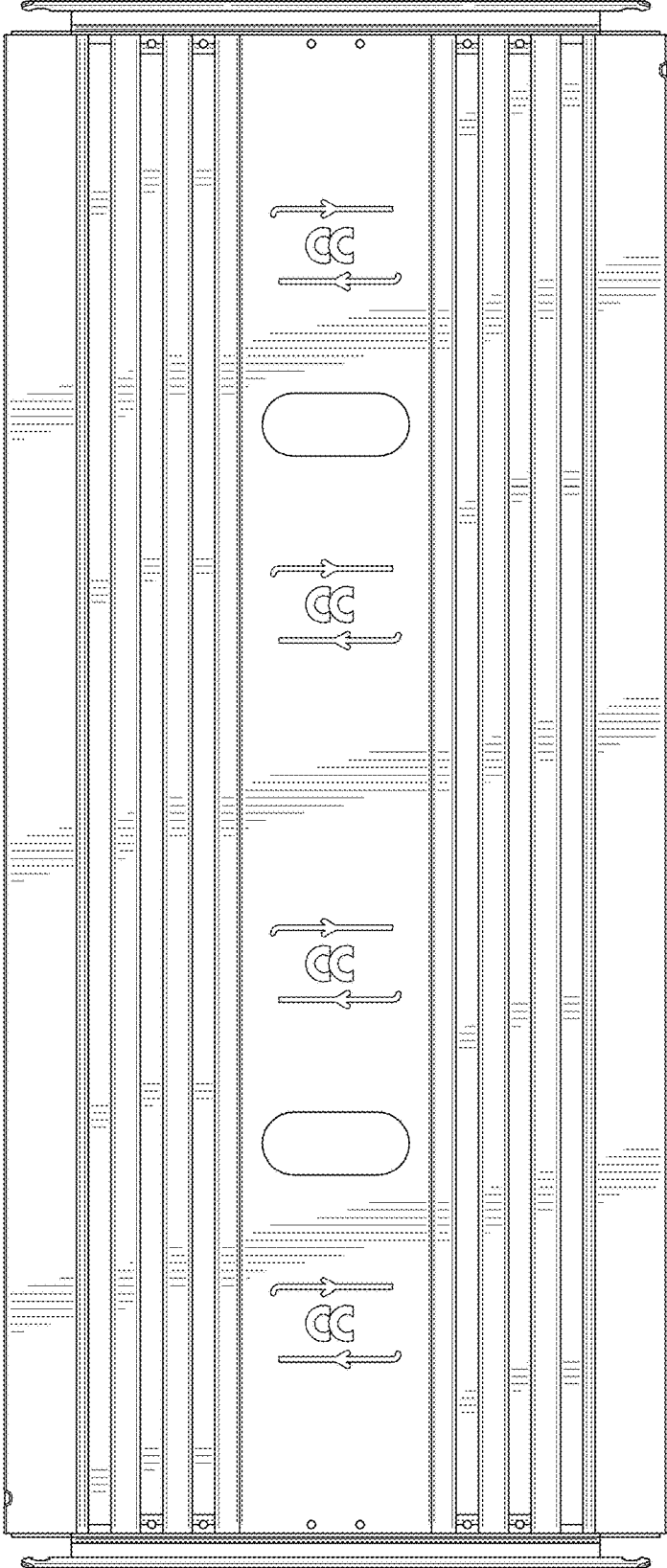


FIG. 2

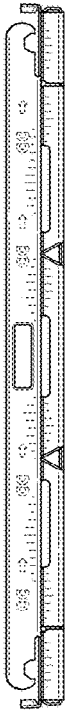


FIG. 3

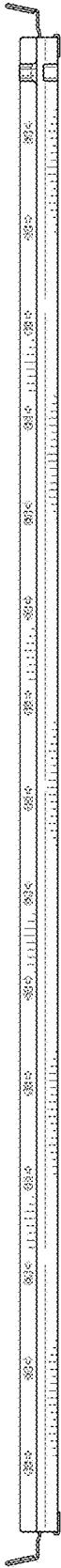


FIG. 4

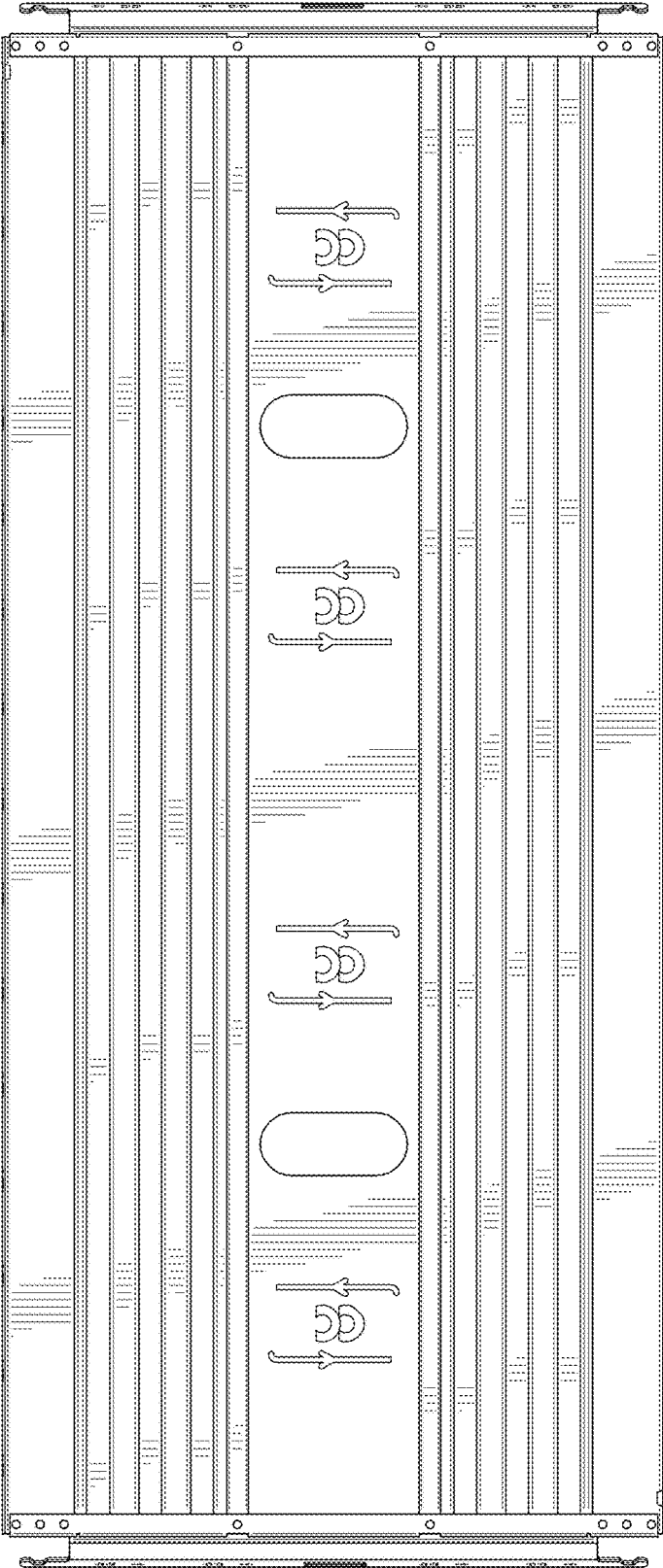


FIG. 5