



US00D528315S

(12) **United States Design Patent**
Tseng

(10) **Patent No.:** **US D528,315 S**

(45) **Date of Patent:** **** Sep. 19, 2006**

(54) **CHAIR**

(75) Inventor: **Chuen-Jong Tseng**, Chiayi Hsien (TW)

(73) Assignee: **Taiwan Shin Yeh Enterprise Co., Ltd.**,
Chiayi Hsien (TW)

(**) Term: **14 Years**

(21) Appl. No.: **29/253,154**

(22) Filed: **Feb. 1, 2006**

(51) **LOC (8) Cl.** **06-01**

(52) **U.S. Cl.** **D6/365; D6/369; D6/370**

(58) **Field of Classification Search** D6/334-335,
D6/344, 358, 365, 369, 370, 376, 379-391,
D6/498, 500-502; 297/445.1, 446.1, 452.63,
297/452.64, 451.9

See application file for complete search history.

(56) **References Cited**

U.S. PATENT DOCUMENTS

| | | | | | |
|------------|---|---------|----------------|-------|--------|
| D299,986 S | * | 2/1989 | Doughty | | D6/344 |
| D300,090 S | * | 3/1989 | Frinier | | D6/344 |
| D335,038 S | * | 4/1993 | Tseng | | D6/365 |
| D335,039 S | * | 4/1993 | Tseng | | D6/365 |
| D340,361 S | * | 10/1993 | Tseng | | D6/365 |
| D414,947 S | * | 10/1999 | Liu | | D6/365 |
| D423,806 S | * | 5/2000 | Tseng | | D6/376 |
| D426,718 S | * | 6/2000 | Gaylord et al. | | D6/376 |

| | | | | | |
|------------|---|---------|-------|-------|--------|
| D434,239 S | * | 11/2000 | Tseng | | D6/376 |
| D436,750 S | * | 1/2001 | Tseng | | D6/376 |
| D454,710 S | * | 3/2002 | Tseng | | D6/376 |
| D454,712 S | * | 3/2002 | Tseng | | D6/376 |
| D454,713 S | * | 3/2002 | Tseng | | D6/376 |
| D457,343 S | * | 5/2002 | Tseng | | D6/376 |
| D485,448 S | * | 1/2004 | Tseng | | D6/365 |
| D485,694 S | * | 1/2004 | Tseng | | D6/376 |
| D486,655 S | * | 2/2004 | Tseng | | D6/365 |
| D487,198 S | * | 3/2004 | Tseng | | D6/376 |
| D512,580 S | * | 12/2005 | Tseng | | D6/376 |
| D517,340 S | * | 3/2006 | Tseng | | D6/376 |

* cited by examiner

Primary Examiner—Mimosa De

(74) *Attorney, Agent, or Firm*—Ladas & Parry LLP

(57) **CLAIM**

The ornamental design for chair, as shown and described.

DESCRIPTION

FIG. 1 is a perspective view of chair showing my new design;

FIG. 2 is a front elevational view thereof;

FIG. 3 is a rear elevational view thereof;

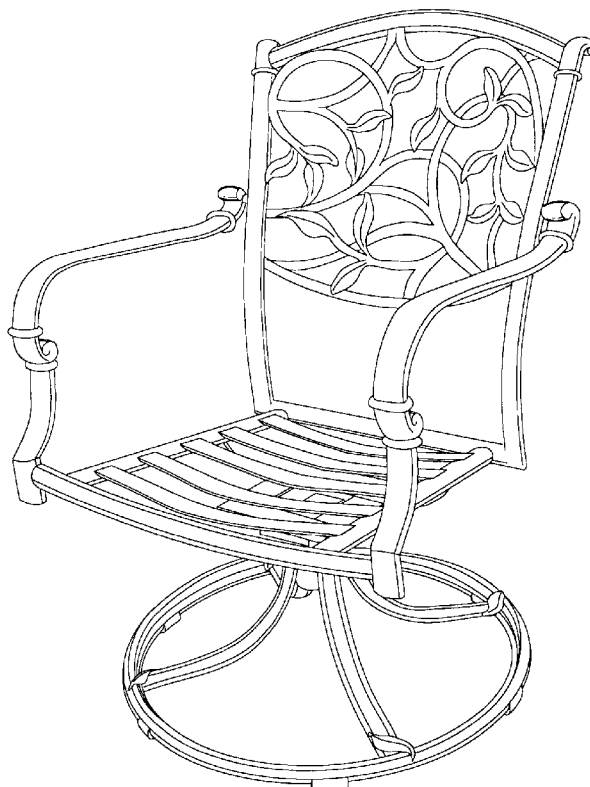
FIG. 4 is a left side elevational view thereof;

FIG. 5 is a right side elevational view thereof;

FIG. 6 is a top plan view thereof; and,

FIG. 7 is a bottom plan view thereof.

1 Claim, 4 Drawing Sheets



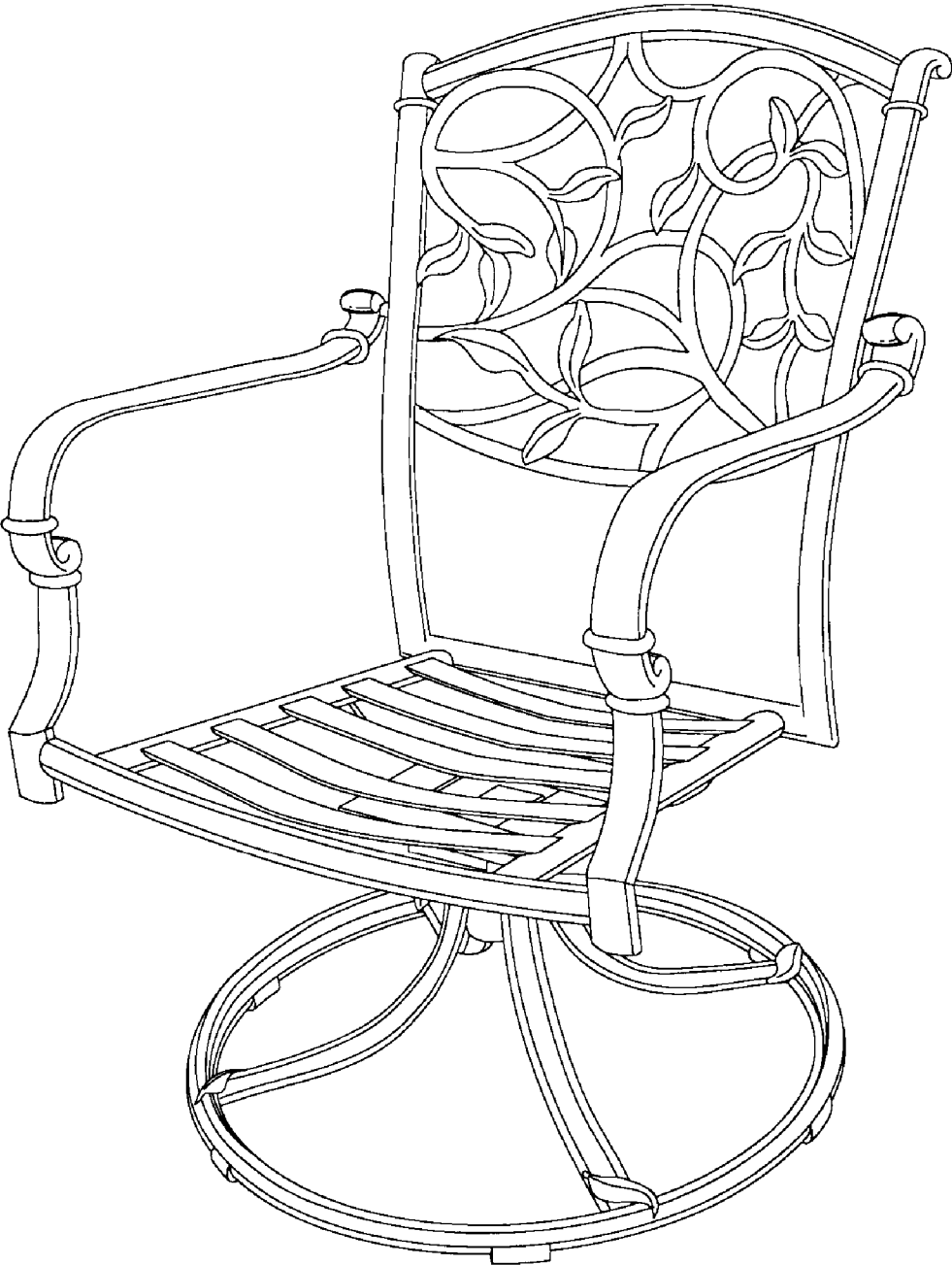


FIG. 1

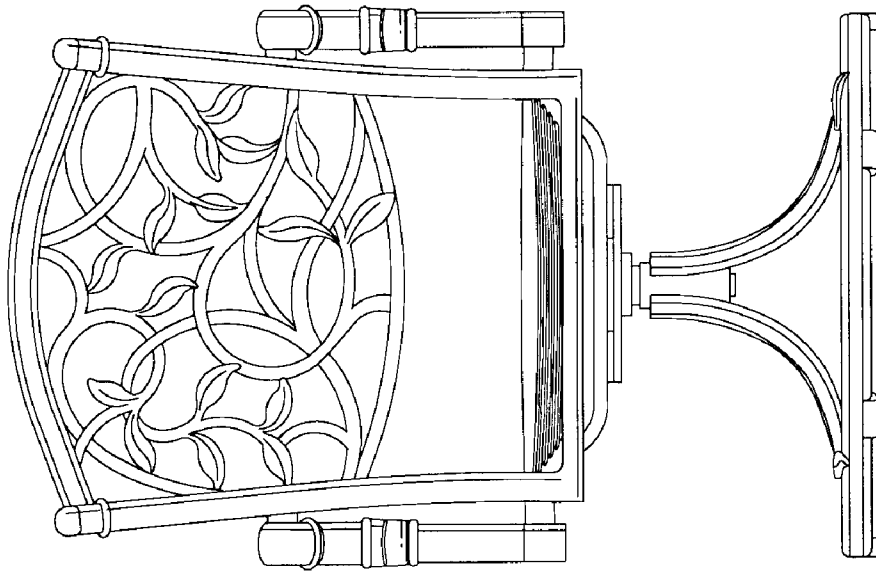


FIG. 3

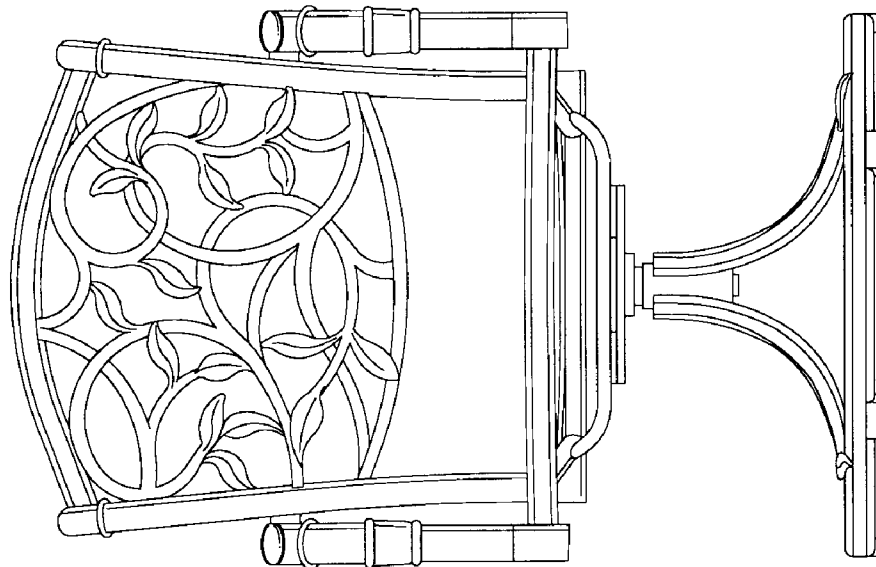


FIG. 2

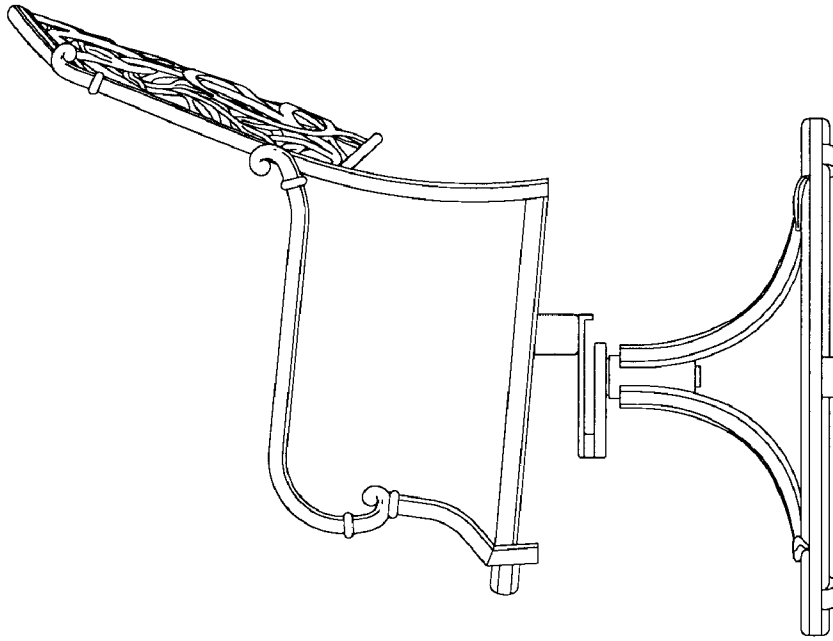


FIG. 5

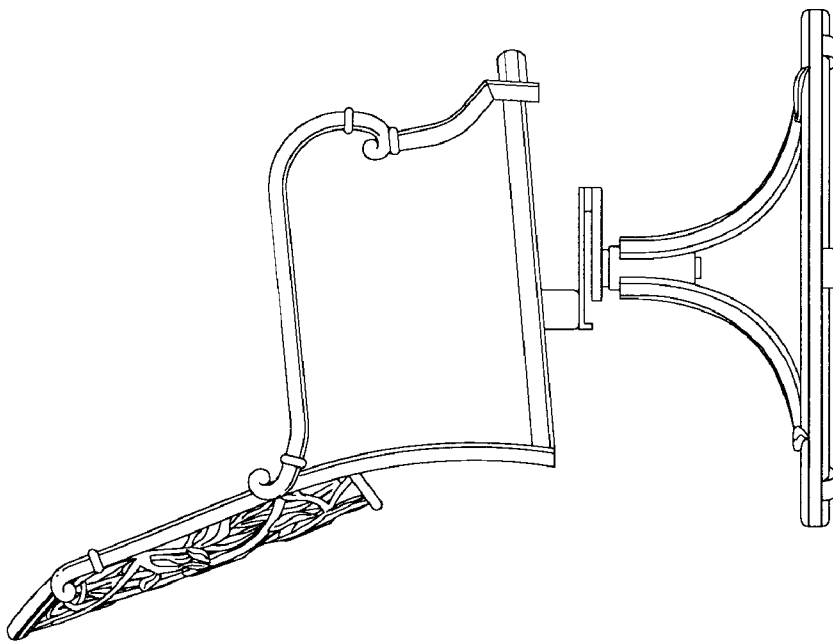


FIG. 4

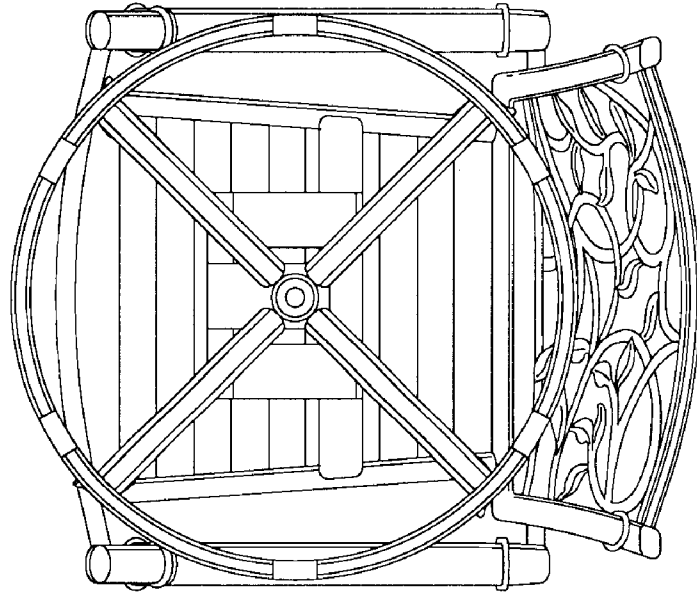


FIG. 7

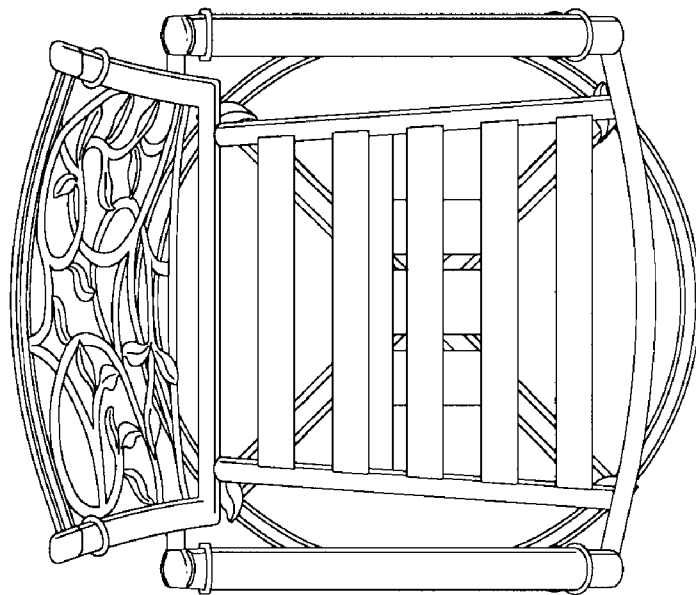


FIG. 6