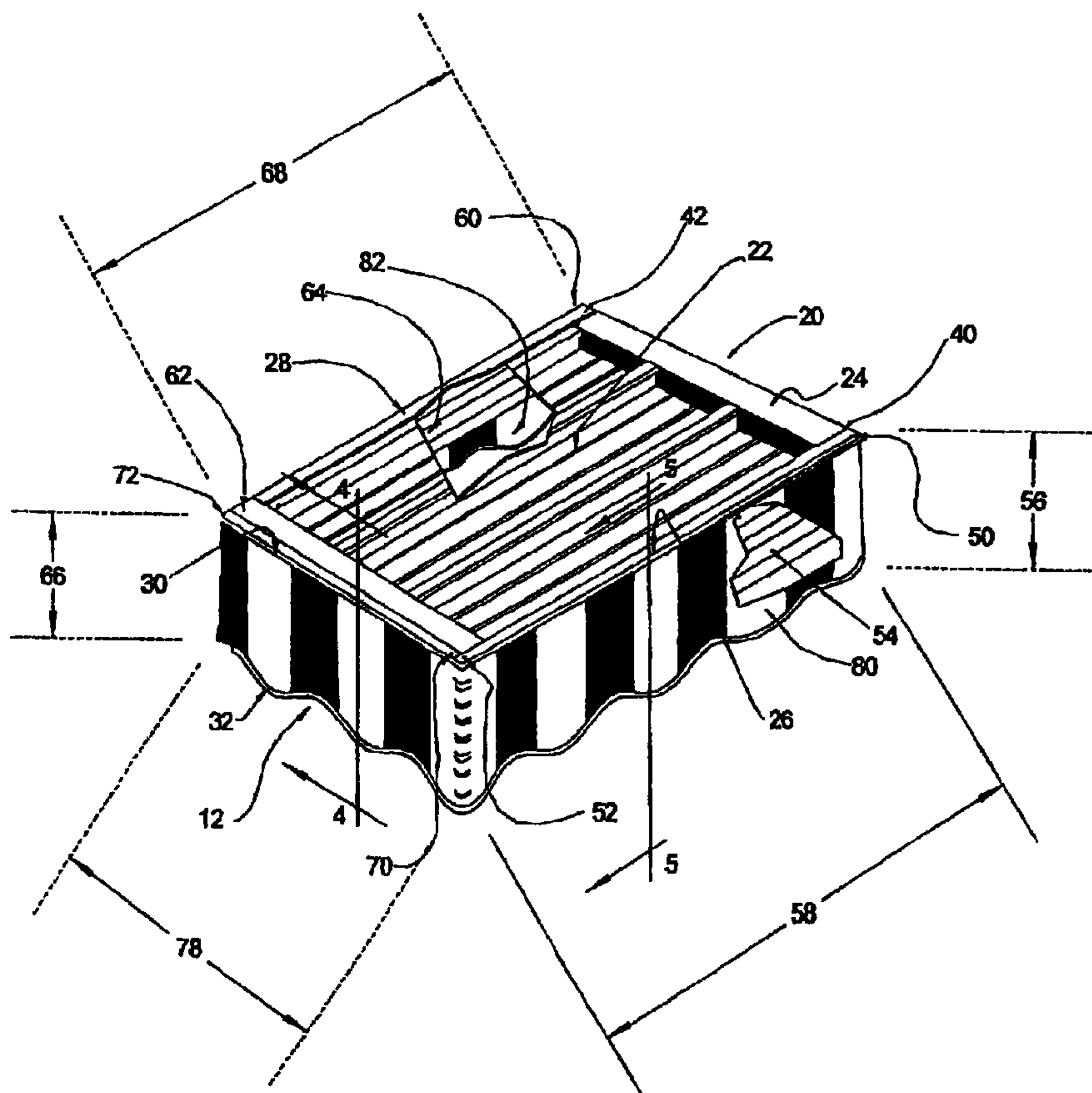




(22) Date de dépôt/Filing Date: 2003/04/03  
 (41) Mise à la disp. pub./Open to Public Insp.: 2004/09/11  
 (45) Date de délivrance/Issue Date: 2009/12/15  
 (30) Priorité/Priority: 2003/03/11 (US10/385,902)

(51) Cl.Int./Int.Cl. *E04F 10/08* (2006.01),  
*E04F 10/06* (2006.01), *E04H 15/08* (2006.01)  
 (72) Inventeur/Inventor:  
 ALLIN, JOHN M., US  
 (73) Propriétaire/Owner:  
 CREST PRODUCTS, INC., US  
 (74) Agent: SIM & MCBURNEY

(54) Titre : CANTONNIERE DECORATIVE DE PROTECTION DANS UN AUVENT POUR UTILISATION AVEC DES  
 STRUCTURES DE BATIMENTS PERMANENTES  
 (54) Title: PROTECTIVE AND DECORATIVE VALANCE IN AN AWNING FOR USE WITH PERMANENT BUILDING  
 STRUCTURES



(57) Abrégé/Abstract:

An all-season awning system is provided with an aesthetically pleasing protective valance for use with associated permanent building structures. The awning system includes a peripheral frame covered substantially entirely by a fabric valance member. The

(57) **Abrégé(suite)/Abstract(continued):**

fabric valance member is carried on selected portions of the peripheral frame using an attachment means including an elongate tube carried within a fold of the valance and received into a corresponding slot formed in an attachment member coupled with the lateral support member. The valance can be retrofitted onto existing awning structures by connecting the attachment member to the lateral support member using suitable fasteners such as screws or the like.

**ABSTRACT OF THE INVENTION**

An all-season awning system is provided with an aesthetically pleasing protective valance for use with associated permanent building structures. The awning system includes a peripheral frame covered substantially entirely by a fabric valance member. The fabric valance member is carried on selected portions of the peripheral frame using an attachment means including an elongate tube carried within a fold of the valance and received into a corresponding slot formed in an attachment member coupled with the lateral support member. The valance can be retrofitted onto existing awning structures by connecting the attachment member to the lateral support member using suitable fasteners such as screws or the like.

PROTECTIVE AND DECORATIVE VALANCE IN AN AWNING FOR USE  
WITH PERMANENT BUILDING STRUCTURES

Background of the Invention

The subject invention is directed to the art of awning systems and, more particularly, to an all-season awning apparatus with an aesthetically pleasing and protective valance for use with associated permanent building structures and to methods and apparatus for attaching the protective valance to building structures. The invention will be described with particular reference thereto, however, it is to be appreciated that the invention has other applications including protective and decorative trim valances, and the like for permanent or rigid canopy structures, coverings, frameworks, or the like.

Prior art rigid metal awning structures have been provided with soft cloth valance trim. However, these structures lack eye appeal because the valance trim does not completely cover or otherwise hide from view the visible outer surfaces of the underlying rigid metal awning structure. To some observers, the "industrial" look of the awning detracts from otherwise pleasant architecture of the building structure.

As a general example, U.S. Patent No. 5,381,844 teaches a portable two-way aluminum awning for use in connection with recreational vehicles. Figure 1 herein is a cross-sectional illustration of the manner in which the



aluminum awning structure of the '844 patent is adapted for receiving a soft cloth valance. Using the arrangement shown, the valance is held behind the out frame and is thus incapable of protecting the outer frame  
5 or shielding it from view.

More particularly, and turning now to that figure, a rigid aluminum support member 1 defines a front opening 2 for receiving associated support structures, and a rear opening 3 adapted to receive main body  
10 portions of a substantially planar aluminum awning structure 4. A plurality of adjacent slots or channels 5 are provided in the extrusion 1 for receiving a section of soft canvas or cloth valance trim.

In the prior art example described above, it is  
15 to be appreciated that in normal use the overall awning structure is viewed by an observer in the direction labeled A on the drawing figure. This being the case, the front portion 6 of the support extrusion 1 is clearly visible to the viewer. The canvas valance 7 supported in  
20 a selected one of the grooves 5 is therefore incapable of softening the aesthetics of the readily visible front portion 6 of the hard aluminum extrusion 1. In addition, the valance can provide no protection to the outer front face 6 of the extrusion 1 when supported relative to the  
25 frame 1 in the manner illustrated.

All permanent metal awning structures heretofore known are utilitarian structures lacking aesthetic appeal. The art has long provided permanent metal awning structures where fastening screws, perimeter  
30 fascias and the like are exposed to view. These structures are often attached to beautiful homes and commercial buildings and serve to

cheapen the home or building. Also, many potential home or commercial building owners were required to choose a wholly fabric awning to overcome the utilitarian appearance of the permanent metal awning structures.

5           Moreover, current art indicates that the canvas awning industry has failed to provide a product that can be designed to withstand the demands of seasonal snow and wind loads and as such offered products that were able to be used only on a seasonal basis and in the case of retractable  
10 awnings had to be stored away in defined wind conditions rendering them of no value when such conditions existed. Canvas or fabric awnings in the past have been fabricated and tied to metal pipe structures, and are removed and stored in the winter months in areas where snow accumulation  
15 that would damage the awning can be expected. This adds additional maintenance costs to that type of awning and does not provide for usage in the winter months.

          Additionally, retractable or roll-up fabric awnings have been designed to address the seasonal removal  
20 issues but, due to structural limitations, also fail to provide permanent usage and offer little or no protection in rain or wind storms. Water ponding during a rainfall can cause them to collapse and winds over 25 miles per hour generally expose retractable awnings to torque conditions  
25 which lead to the awning being ripped away from the supporting structure. Special motorized wind sensors are installed to sense wind conditions and retract the awning with an electric motor device when these conditions arise. The present invention offers an awning system that can be  
30 installed and utilized for year-round use.

          Attractive or pleasing-to-the-eye permanent awning



structures having aesthetic fabric valances for covering fastening screws, perimeter fascias and the like are not found in the prior art.

There is a clear need in the awning industry for a system that provides a permanent four-season awning structure having the appearance of a work of art rather than merely a utilitarian structure. Moreover, there is a need for an aesthetic permanent four-season awning structure which combines the soft look of fabric with the durable qualities of the underlying structure that enables the fastening means and the perimeter fascias to be hidden from view. The needed awning structure would enhance the appearance of the finest homes and commercial buildings and add significant value thereto, rather than detract therefrom as is the case with the systems known prior to this disclosure. Additionally, a fabric valance is needed which can be easily removed for replacement or storage in about thirty minutes with only a common screwdriver as the required tool.

It would, therefore, be desirable to provide an awning system formed of metal and including a cloth valance trim which both covers or otherwise hides the outer visible surfaces of the awning support members and also protects those surfaces.

It is also desirable to provide a method and apparatus for supporting a cloth valance relative to awning structures to cover and protect otherwise visible surfaces of support and frame portions of the awning structures.

30

#### Summary of the Invention

The subject invention provides an improvement to

aluminum awning structures of the type described which produces an aesthetically pleasing and protective valance trim system for use with associate permanent building structures. In addition, the invention can be readily used  
5 in an installed base of aluminum awning structures by a simple retrofitting process. In that way, the invention is useful in not only newly manufactured products, but in devices already placed in service.

In accordance with an aspect of the invention,  
10 there is provided an all-season awning system with an aesthetically pleasing protective valance for use in connection with associated permanent building structures. The awning system includes a metal peripheral frame carrying a substantially planar main body portion and a fabric  
15 valance member substantially covering the entire front visible surfaces of the peripheral frame. The peripheral frame includes an elongate header member having first and second ends and is adapted for attachment to the associated permanent building structure. A first elongate transverse  
20 support member has first and second ends, the first end being operatively coupled with the first end of the elongate header member. A second elongate transverse support member has first and second ends as well, the first end thereof being operatively coupled with the second end of the header  
25 member. Lastly, a lateral support member is operatively coupled between the first and second free ends of the first and second elongate support members thereby forming the peripheral frame. The lateral support member forms a planar substantially rectangular front face surface having a height  
30 and width. The fabric valance member covers the entire front face height but preferably covers both the front face



height and width of the front face surface of the elongate lateral support member.

In accordance with a further aspect of the invention, the first elongate transverse support member 5 forms a planar substantially rectangular first face surface having a height and width. A first portion of the valance member substantially covers the entire first face surface height but preferably covers both the first face surface height and width of the first elongate transverse support 10 member.

In accordance with a still further aspect of the invention, the second elongate transverse support member defines a planar substantially rectangular second face surface having a height and width. A second portion of the 15 fabric valance member substantially covers the entire second face surface height but preferably covers both the second face surface height and width of the second elongate transverse support member.

In its preferred form, the fabric valance member 20 is carried on the lateral support member and on the first and second elongate transverse support members using a tube and resilient groove attachment system. A first elongate tubular member is carried in a fold formed by an upper edge of the fabric valance member. A second elongate attachment 25 member provided with a slot for receiving the tubular member is operatively coupled with the support members. The walls forming the slot or groove of the second elongate attachment member are resiliently biased to permit insertion of the tubular member and valance fold using modest pressure and to 30 hold the valance in place under normal loads. The fabric valance member can be selectively removed by simply

decoupling the elongate tubular member from the attachment member slot.

In accordance with an aspect of the present invention, there is provided for use with an all-season awning system comprising a peripheral frame carrying a substantially planar main body portion, the peripheral frame comprising an elongate lateral support member having first and second ends and forming planar substantially rectangular front face surface having a front face surface height and a front face surface width, a protective cover comprising: a fabric valance member on the lateral support member substantially covering the entire front face surface height and front face surface width of the front face surface; and, a tube and resilient groove attachment system comprising a first elongate tubular member carried in a fold formed by an upper edge of the fabric valance member, and a second elongate attachment member provided with a slot adapted to selectively receive the first elongate tubular member, the slot being defined by walls of the second elongate attachment member, the walls being resiliently biased to permit insertion of the first elongate tubular member and valance fold using modest pressure and to hold the valance in place, the fabric valance member being selectively removable by decoupling the first elongate tubular member from the slot of the second elongate attachment member slot.

In accordance with another aspect of the present invention, there is provided an all-season awning system with an aesthetically pleasing protective valance for use with associated permanent building structures, the awning system comprising: a peripheral frame carrying a substantially planar main body portion, the peripheral frame comprising: an elongate header member having first and second ends and being adapted for attachment to the



associated permanent building structure; a first elongate transverse support member having first and second ends, the first end of the first elongate transverse support member being operatively coupled with the first end of the header member; a second elongate transverse support member having first and second ends, the first end of the second elongate transverse support member being operatively coupled with the second end of the header member; an elongate lateral support member having first and second ends and being held in a spaced apart relationship relative to said header member, the first end of the lateral support member being operatively coupled with the second end of the first transverse support member and the second end of the lateral support member being operatively coupled with the second end of the second transverse support member, the elongate lateral support member forming a planar substantially rectangular front face surface having a front face surface height and a front face surface width; and, a fabric valance member; and, attachment means for attaching the valance onto the lateral support member substantially covering the entire front face height of the front face surface with said valance, the attachment means comprising an attachment member adapted for selective connection with said lateral support member using an associated fastener, and a tubular member carrying said valance member and selectively connectable with said attachment member.

In accordance with another aspect of the present invention, there is provided in combination: a metal awning comprising a substantially planar main body portion defining top and bottom surfaces, a central region, and an outer perimeter operatively coupled along a first portion thereof to said associated structure; a metal perimeter support member attached to the bottom surface of said metal awning and extending along a second portion of said



perimeter, the metal perimeter support member defining an outer face surface substantially perpendicular to a plane defined by said planar main body portion, the outer face surface having a first dimension H in a direction perpendicular to said plane defined by said main body portion and a second dimension W in a direction parallel to said plane defined by said main body portion; first attachment means on said outer face surface; and, a fabric valance carried on said outer face surface of said metal perimeter support member by said first attachment means, the fabric valance having a size and being disposed to completely cover the outer face surface of said metal perimeter support member, wherein the first attachment means comprises: a first elongate member attached to the outer face surface of said metal perimeter support member, the first elongate member having a substantially flat surface on a first side adapted to engage said outer face surface of the support member and a first connection region on a second side opposite said first side; and, a second elongate member attached to said fabric valance and defining a second connection region adapted to matingly engage the first connection region of said first elongate member to thereby attach the fabric valance to said outer face surface.

In accordance with another aspect of the present invention, there is provided a method of retrofitting an associated metal awning system with a fabric valance member, the associated metal awning system comprising a peripheral frame carrying a substantially planar main body portion, the peripheral frame comprising an elongate lateral support member having first and second ends and forming a planar substantially rectangular front face surface having a front face surface height and a front face surface width, the method of retrofitting the associated

metal awning system comprising: providing a fabric valance member; providing a tube and resilient groove attachment system comprising a first elongate tubular member carried in a fold formed by an upper edge of the fabric valance member, and a second elongate attachment member provided with a slot adapted to selectively receive the first elongate tubular member, the slot being defined by walls of the second elongate attachment member; connecting said second elongate attachment member to said elongate lateral support member of said associated metal awning system using associated fasteners; and, receiving said first elongate tubular member carrying said fabric valance member in said slot defined by said walls of said second elongate attachment member.

15 In accordance with another aspect of the present invention, there is provided a method of retrofitting an associated metal awning system with a fabric valance member, the associated metal awning system comprising a peripheral frame carrying a substantially planar main body portion, the peripheral frame including an elongate lateral support member having first and second ends and forming a planar substantially rectangular front face surface having a front face surface height and a front face surface width, the method of retrofitting the associated metal awning system comprising: providing a fabric valance member; and, connecting said fabric valance member with said elongate lateral support member of said associated metal awning system to substantially cover all of said front face surface.

30 The use of the described arrangement significantly enhances the aesthetic appeal of existing aluminum awning structures and provides a degree of protection thereof.

In view of the above, it is an advantage of the invention to provide an all season awning system with an

aesthetically pleasing protective valance for use with associated permanent building structures.

It is another advantage of the invention to provide an all-season metal awning system with a fabric valance  
5 disposed to hide the metal frame from view.

It is another advantage of the invention to provide an awning system that can be installed and utilized for year-round use.

Still another advantage of the invention is to provide  
10 an aesthetic permanent four-season awning structure with a soft look fabric combined with the durable qualities of a metal structure that enable the fastening means and fascias to be hidden from view.

Still other advantages and benefits of the invention  
15 will become apparent to those skilled in the art upon a reading and understanding of the following detailed description.

#### **Brief Description of the Drawings**

20 The invention may take physical form in certain parts and arrangements of parts, a preferred embodiment of which will be described in detail in the specification and illustrated in the accompanying drawings which form a part hereof, and wherein:



FIGURE 1 is a cross-sectional view of a selected portion of an aluminum awning structure in accordance with the prior art;

FIGURE 2 is a perspective view illustrating the awning system of the invention in use with a typical associated permanent building structure;

FIGURE 3 is a perspective view of the subject awning system removed from the associated permanent building structure;

FIGURE 4 is a cross-sectional view of the subject awning system taken along line 4-4 of Figure 3;

FIGURE 4a is an enlarged portion of Figure 4 showing the attachment means for clarity; and,

FIGURE 5 is cross-sectional view of the subject awning system taken along line 5-5 of Figure 3.

#### Detailed Description of the Preferred Embodiment

Referring now to the drawings wherein the showings are for the purposes of illustrating the preferred embodiment of the invention only and not for purposes of limiting same, Figure 2 shows the overall arrangement of the subject all-season awning system 10 with an aesthetically pleasing protective valance 12 for use with an associated permanent building structure 14. In the subject embodiment, the awning system 10 is used in conjunction with a dwelling structure but it is to be appreciated that the system can be used on any building structure and can, in some cases, be used in a stand-alone fashion, i.e. separate and apart from an associated permanent building structure.

With continued reference to Figure 2, and with additional reference to Figures 3-5, the subject all-season

awning system 10 with an aesthetically pleasing protective valance 12 includes a peripheral frame 20 carrying a substantially planar main body portion 22. In one embodiment, the substantially planar main body portion 22 includes a plurality of interlocking aluminium panel members. The peripheral frame 20 includes an elongate header member 24, a first elongate transverse support member 26, a second elongate transverse support member 28, and an elongate lateral support member 30. A fabric valance member 32 is carried on the transverse lateral support member 30 as shown.

The elongate header member 24, preferably formed of aluminum, defines a first end 40 and a second end 42. As shown best in Figure 4, the header member 24 is adapted for attachment to the associated permanent building structure 14 by means of a plurality of fasteners 44, preferably lag bolts, and an intermediate hinge connector system 45 including a wall mount device 46 and a rear hanging rail 48. As illustrated, the rear hanging rail 48 is pivotable about a pivot point 45 relative to the wall mount device 46 held fixed in place relative to the associated permanent building structure 14. The rear hanging rail 48 is affixed to the header member 24 using suitable fasteners 49 such as sheet metal screws or the like.

The first elongate transverse support member 26, preferably formed of aluminum, defines first and second ends 50, 52, respectively. The first end 50 of the transverse support member 26 is operatively coupled with the first end 40 of the header member 24 as shown using any suitable means such as, sheet metal screws, fasteners or the like.

Similarly, the second elongate transverse support member 28, preferably formed of aluminum, defines a first end 60 and a second end 62. The first end 60 of the second elongate transverse support member 28 is operatively coupled



with the second end **42** of the header member **24** again, using fasteners, sheet metal screws, or any other suitable means.

The elongate lateral support member **30** is coupled to the first and second transverse support members **26**, **28** as illustrated. A first end **70** of the lateral support member **30** is operatively coupled with the second end **52** of the transverse support member **26** and a second end **72** of the lateral support member **30** is operatively coupled with the second end **62** of the second transverse support member **28**.

As shown best in Figure 4, the elongate lateral support member **30** forms a planar substantially rectangular front face surface **74** having a front face surface height **76**, and a front face surface width **78** (Fig. 8). In accordance with the present invention, the fabric valance member **32** is held on the lateral support member **30** to substantially cover the entire front face height **76** of the front face surface **74**. The front face surface **74** of the lateral support member **30** is completely covered when viewed by an observer in the direction labeled A' in the drawing Figure. Preferably, the fabric valance has a height dimension  $(H + X)$  greater than a height dimension  $H$  of the outer face surface, and has a width dimension  $(W + Y)$  greater than a width dimension  $W$  of the outer face surface.

With continued reference to Figure 4, it is to be appreciated that the lateral support member **30** has a substantially "C" profile defined by the front face surface **74**, a bottom wall **75**, and a rear wall **77**. As can be seen, a trough is formed at the bottom of the lateral support member **30** by the intersection of the bottom wall **75** with the rear wall **77** and the wall forming the front face surface **74**. An integrated gutter system is thereby



formed to direct water and other fluids flowing off from the main body portion **22** to the outer ends, namely the first end 70 and the second end **72** of the lateral support member **30**.

Lastly with reference to Figure 4, a top cap member 71 is provided for mechanically connecting an upper end of the front face surface 74 with the main body portion 77 of the awning system 10. The top cap member connected as 5 illustrated substantially enhances the overall rigidity and ruggedness of the subject awning system 10. An upper post flange 73 is used to connect the bottom wall 75 of the lateral support member 30 to the upper end 90 of a support post member 34 using suitable fasteners such as bolts or the 10 like as illustrated.

In the preferred embodiment, all of the peripheral frame 20 structure as well as the substantially planar main body portion 22 of the subject system is formed of metal, preferably aluminum. The fabric valance member 32 is 15 preferably formed of any water resistant and fade-resistant material such as, for example, Sunbrella™ fabric. The fabric valance member 32 is held on the lateral support member 30 to substantially cover and hide the entire front face height 76 of the front face surface 74 from view. In 20 that way, an aesthetically pleasing and protective covering is provided for the peripheral frame 20 of the subject awning system 10. This significantly improves the overall appearance of the awning structure and provides a degree of protection to the peripheral frame.

25 Preferably, as illustrated in the drawing figures, a first portion 80 of the valance member 32 extends to cover the entire first face surface 54 of the first transverse support member 26 when viewed in the direction labeled A'. Similarly, a second portion 82 of the valance member 32 30 covers substantially the entire second face surface 64 of the second support member 28 when viewed in the direction

labeled A'. In that way, substantially the entire visible peripheral frame **20** of the subject awning system **10** is protected and hidden from view and the view thereof is enhanced by the aesthetically pleasing valance **12**.

5 In its preferred form, the fabric valance member **32** includes an upper end **100** carrying an elongate tubular member **120** in a fold **102** provided in the upper end **100**. The lower end **104** of the valance member **32** includes a similar fold **106** selectively carrying a weight  
10 device **108** so that the valance **12** is better able to resist wind gusts and the like.

As best shown in enlarged detail in Figure 4a, the tubular member **120** in combination with an attachment member **122** collectively form an attachment means **121** for  
15 attaching the valance onto the peripheral frame **20**. As illustrated, the attachment member **122** carries a pair of elongate spaced apart fingers **124**, **126** defining an elongate slot **128** adapted to receive the elongate tubular member **120** described above. Preferably, the attachment  
20 member **122** is formed of an extruded resilient rubber material such as buteryate to allow the tubular member **120** and upper end **100** of the valance to be selectively inserted therein as desired. A base portion **130** of the attachment member **122** is substantially planar and is  
25 thereby adapted for connection with the front face surface **74** of the lateral support member **30** using a suitable fastener **123** as shown in Figure 4a.

It is to be appreciated that the attachment means **121** extends not only across the entire longitudinal  
30 length of the lateral support member **30** but also along the entire longitudinal length of both the first transverse support member **26** and the second transverse support member **28**. In



that way, the first and second portions 80, 82 of the valance member 32 are carried on the first and second transfer support members 26, 28. Preferably the attachment arrangement of the first and second portions 80, 82 of the  
5 valance member 32 on the first and second transverse support members 26, 28 is as described above in connection with the lateral support member 30. In this way, the entire valance member 32 can be selectively installed onto the peripheral frame 20 as desired and removed therefrom when deemed  
10 necessary or appropriate or as desired.

The invention has been described with reference to the preferred embodiment. Obviously, modifications and alterations will occur to others upon reading and understanding this specification. As an example other forms  
15 or techniques for attaching the valance to one or more of the support members can be used such as hook and latch systems, decorative snaps, or the like. It is intended to include all such modifications and alterations insofar as they come within the scope of the appended claims or the  
20 equivalence thereof.

Having thus described the preferred embodiment, the invention is now claimed to be:

1. For use with an all-season awning system comprising  
5 a peripheral frame carrying a substantially planar main  
body portion, the peripheral frame comprising an elongate  
lateral support member having first and second ends and  
forming planar substantially rectangular front face surface  
having a front face surface height and a front face surface  
10 width, a protective cover comprising:

a fabric valance member on the lateral support member  
substantially covering the entire front face surface height  
and front face surface width of the front face surface;  
and,

15 a tube and resilient groove attachment system  
comprising a first elongate tubular member carried in a  
fold formed by an upper edge of the fabric valance member,  
and a second elongate attachment member provided with a  
slot adapted to selectively receive the first elongate  
20 tubular member, the slot being defined by walls of the  
second elongate attachment member, the walls being  
resiliently biased to permit insertion of the first  
elongate tubular member and valance fold using modest  
pressure and to hold the valance in place, the fabric  
25 valance member being selectively removable by decoupling  
the first elongate tubular member from the slot of the  
second elongate attachment member slot.

2. An all-season awning system with an aesthetically  
30 pleasing protective valance for use with associated  
permanent building structures, the awning system  
comprising:

a peripheral frame carrying a substantially planar  
main body portion, the peripheral frame comprising:

an elongate header member having first and second ends and being adapted for attachment to the associated permanent building structure;

5 a first elongate transverse support member having first and second ends, the first end of the first elongate transverse support member being operatively coupled with the first end of the header member;

10 a second elongate transverse support member having first and second ends, the first end of the second elongate transverse support member being operatively coupled with the second end of the header member;

15 an elongate lateral support member having first and second ends and being held in a spaced apart relationship relative to said header member, the first end of the lateral support member being operatively coupled with the second end of the first transverse support member and the second end of the lateral support member being operatively coupled with the  
20 second end of the second transverse support member, the elongate lateral support member forming a planar substantially rectangular front face surface having a front face surface height and a front face surface width; and,

25 a fabric valance member; and,

30 attachment means for attaching the valance onto the lateral support member substantially covering the entire front face height of the front face surface with said valance, the attachment means comprising an attachment member adapted for selective connection with said lateral support member using an associated fastener, and a tubular member carrying said valance member and selectively connectable with said attachment member.



3. The awning system according to claim 2 wherein the elongate header member, the first transverse support member, and the second transverse support member are formed  
5 of metal.

4. The awning system according to claim 3 wherein the elongate header member, the first transverse support member, and the second transverse support member are formed  
10 of aluminum.

5. The awning system according to claim 2 wherein the fabric valance member substantially covers the entire front face width of the front face surface of the lateral support  
15 member.

6. The awning system according to claim 2 wherein:  
the first transverse support member forms a planar substantially rectangular first face surface having a first  
20 face surface height and a first face surface width;

the second transverse support member forms a planar substantially rectangular second face surface having a second face surface height and a second face surface width;  
and,

25 said fabric valance member comprises a first portion carried by said attachment means on the first elongate transverse support member and substantially covering the entire first face surface height of the first face surface, and a second portion carried by said attachment means on  
30 the second elongate transverse support member and substantially covering the entire second face surface height of the second face surface.

7. The awning system according to claim 6 wherein:

the first portion of the fabric valance member substantially covers the entire first face surface width of the first face surface; and,

the second portion of the fabric valance member  
5 substantially covers the entire second face surface width of the second face surface.

8. The awning system according to claim 7 wherein said fabric valance member is formed of a water-resistant and  
10 fade-resistant material.

9. The awning system according to claim 8 further comprising at least one support post member operatively coupled on a first end to said lateral support member and  
15 on a second end to an associated load bearing support surface.

10. The awning system according to claim 9 further comprising a plurality of support post members operatively  
20 coupled on first ends thereof to said lateral support member and on second ends thereof to said associated load bearing support surface.

11. The awning system according to claim 10 wherein  
25 said lateral support member forms a channel adapted to convey fluids therealong.

12. The awning system according to claim 11 wherein said substantially planar main body portion includes a  
30 plurality of interlocking aluminum panel members.

13. The awning system according to claim 2 wherein said lateral support member includes a bottom wall and a rear wall which define, together with said front surface,

an integrated gutter for carrying fluids towards said first and second ends.

14. In combination:

5 a metal awning comprising a substantially planar main body portion defining top and bottom surfaces, a central region, and an outer perimeter operatively coupled along a first portion thereof to said associated structure;

10 a metal perimeter support member attached to the bottom surface of said metal awning and extending along a second portion of said perimeter, the metal perimeter support member defining an outer face surface substantially perpendicular to a plane defined by said planar main body portion, the outer face surface having a first dimension H

15 in a direction perpendicular to said plane defined by said main body portion and a second dimension W in a direction parallel to said plane defined by said main body portion;

first attachment means on said outer face surface;

and,

20 a fabric valance carried on said outer face surface of said metal perimeter support member by said first attachment means, the fabric valance having a size and being disposed to completely cover the outer face surface of said metal perimeter support member, wherein the first

25 attachment means comprises:

30 a first elongate member attached to the outer face surface of said metal perimeter support member, the first elongate member having a substantially flat surface on a first side adapted to engage said outer face surface of the support member and a first connection region on a second side opposite said first side; and,

a second elongate member attached to said fabric valance and defining a second connection region



adapted to matingly engage the first connection region of said first elongate member to thereby attach the fabric valance to said outer face surface.

5           15. The combination according to claim 14 wherein:  
said fabric valance has a height dimension (H+X)  
greater than said first dimension H of said outer face  
surface; and,

          said fabric valance has a width dimension (W+Y)  
10 greater than said second dimension W of said outer face  
surface.

          16. The combination according to claim 14 further  
comprising attachment means for attaching said first  
15 portion of said perimeter of the metal awning to the  
associated structure.

          17. The combination according to claim 14 wherein:  
at least one of said first connection region and said  
20 second connection region comprises an elongate tubular  
member having a substantially circular cross section; and,  
the other of said first connection region and said  
second connection region comprises an elongate groove  
adapted to receive and hold the elongate tubular member.

25

          18. The combination according to claim 17 wherein the  
first and second elongate members are formed of a resilient  
plastic material.

30           19. The combination according to claim 18 wherein said  
fabric valance comprises a pocket region adapted to receive  
and hold said elongate tubular member.

20. A method of retrofitting an associated metal awning system with a fabric valance member, the associated metal awning system comprising a peripheral frame carrying a substantially planar main body portion, the peripheral frame comprising an elongate lateral support member having first and second ends and forming a planar substantially rectangular front face surface having a front face surface height and a front face surface width, the method of retrofitting the associated metal awning system comprising:

5 providing a fabric valance member;

10 providing a tube and resilient groove attachment system comprising a first elongate tubular member carried in a fold formed by an upper edge of the fabric valance member, and a second elongate attachment member provided with a slot adapted to selectively receive the first elongate tubular member, the slot being defined by walls of the second elongate attachment member;

15 connecting said second elongate attachment member to said elongate lateral support member of said associated metal awning system using associated fasteners; and,

20 receiving said first elongate tubular member carrying said fabric valance member in said slot defined by said walls of said second elongate attachment member.

25 21. A method of retrofitting an associated metal awning system with a fabric valance member, the associated metal awning system comprising a peripheral frame carrying a substantially planar main body portion, the peripheral frame including an elongate lateral support member having first and second ends and forming a planar substantially rectangular front face surface having a front face surface height and a front face surface width, the method of retrofitting the associated metal awning system comprising:

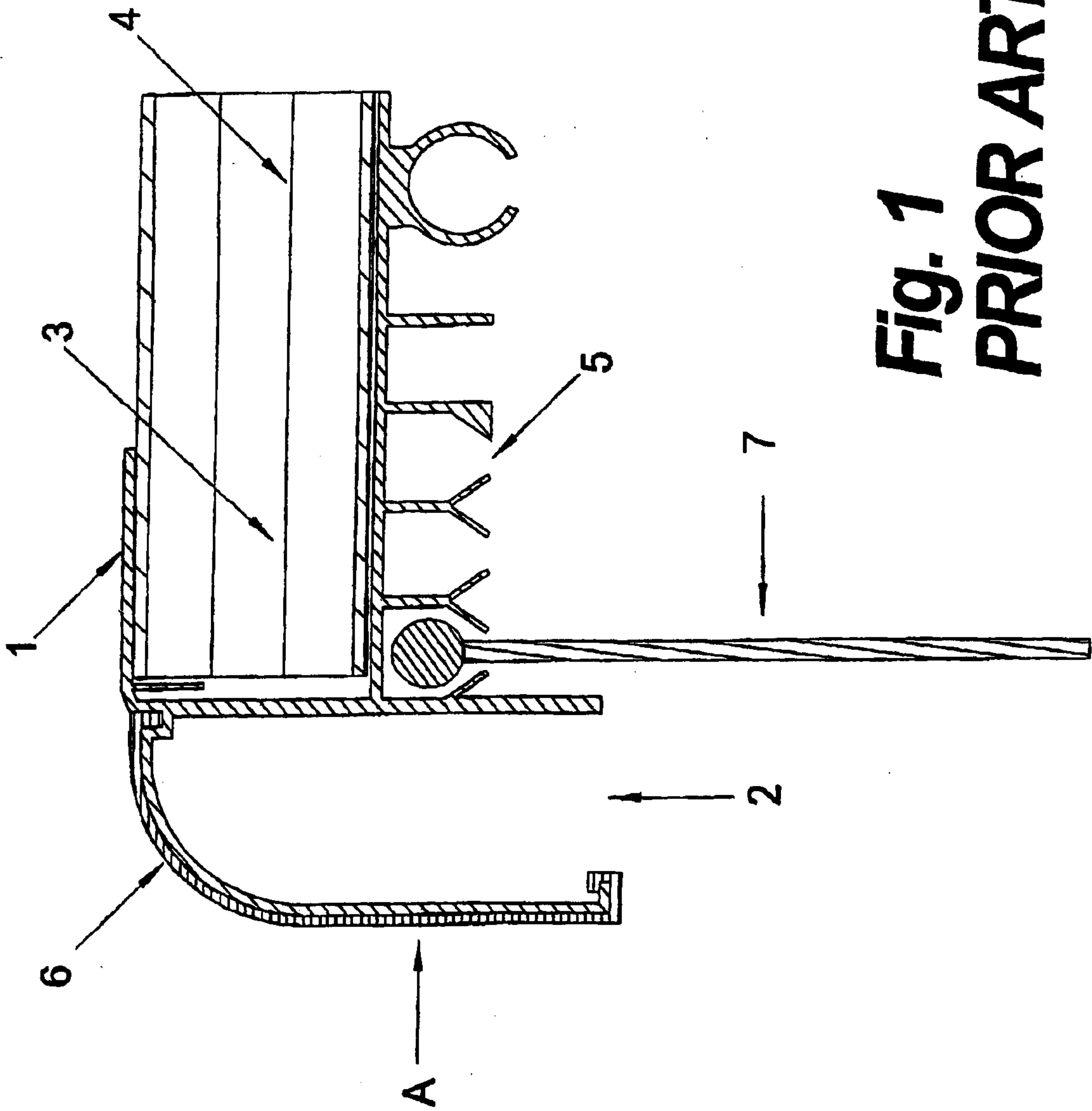
30 providing a fabric valance member; and,

connecting said fabric valance member with said elongate lateral support member of said associated metal awning system to substantially cover all of said front face surface.

5

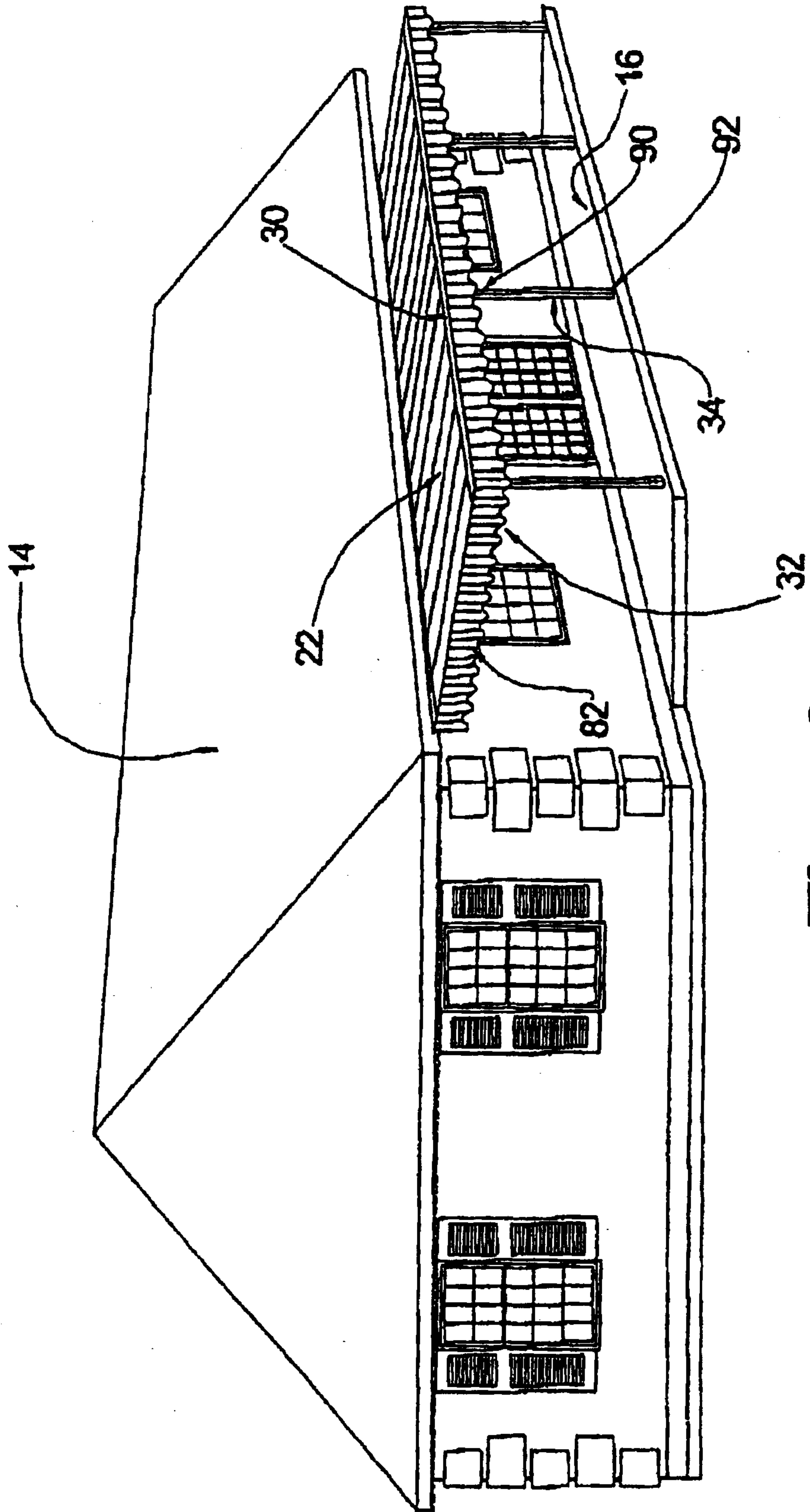
22. The method according to claim 21 wherein the step of providing said fabric valance member comprises providing a fabric valance member having a height dimension greater than said front face surface height and having a width  
10 dimension greater than said front face surface width.





**Fig. 1**  
**PRIOR ART**

2/5



**Fig. 2**

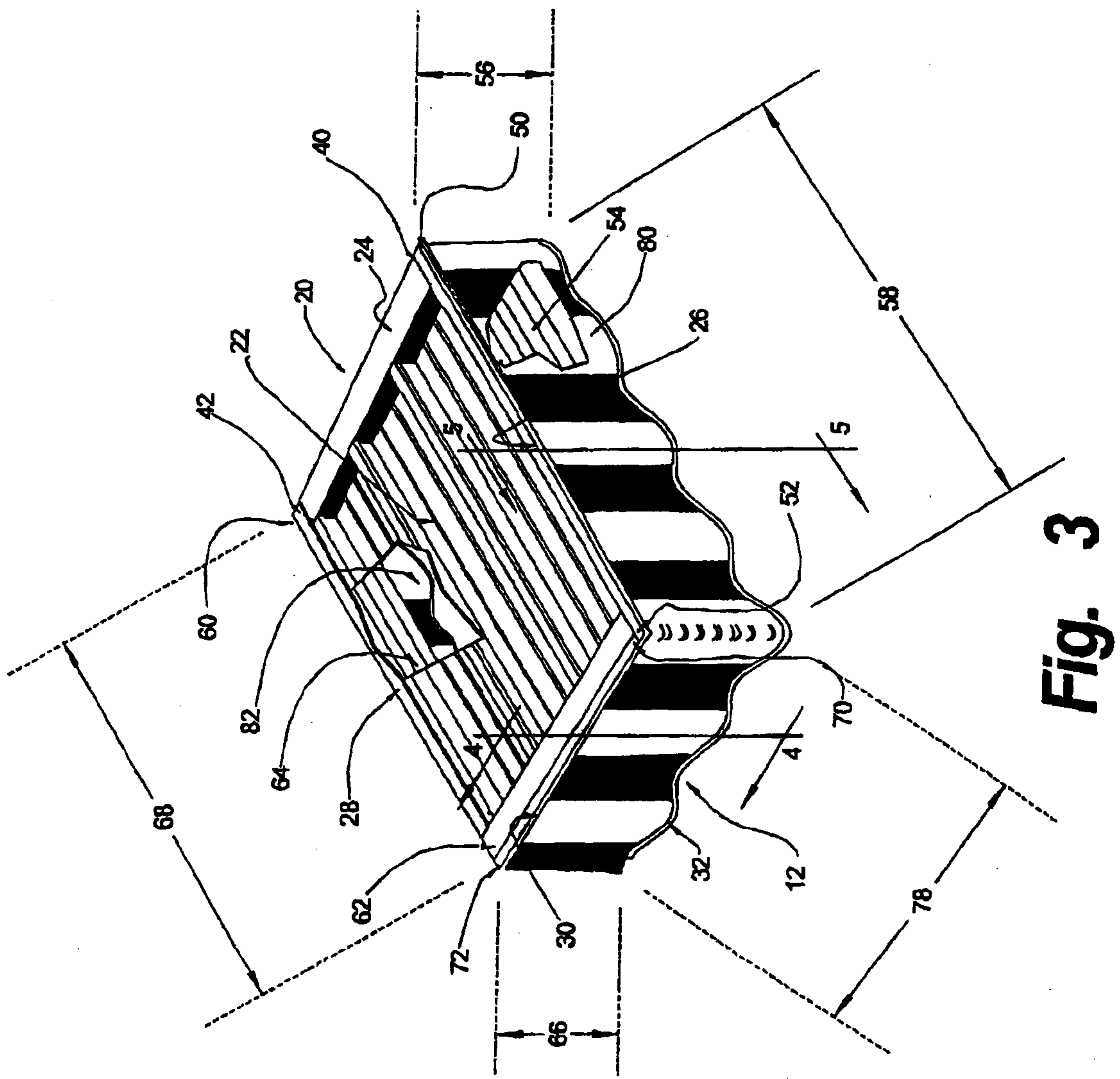


Fig. 3



Fig. 4a

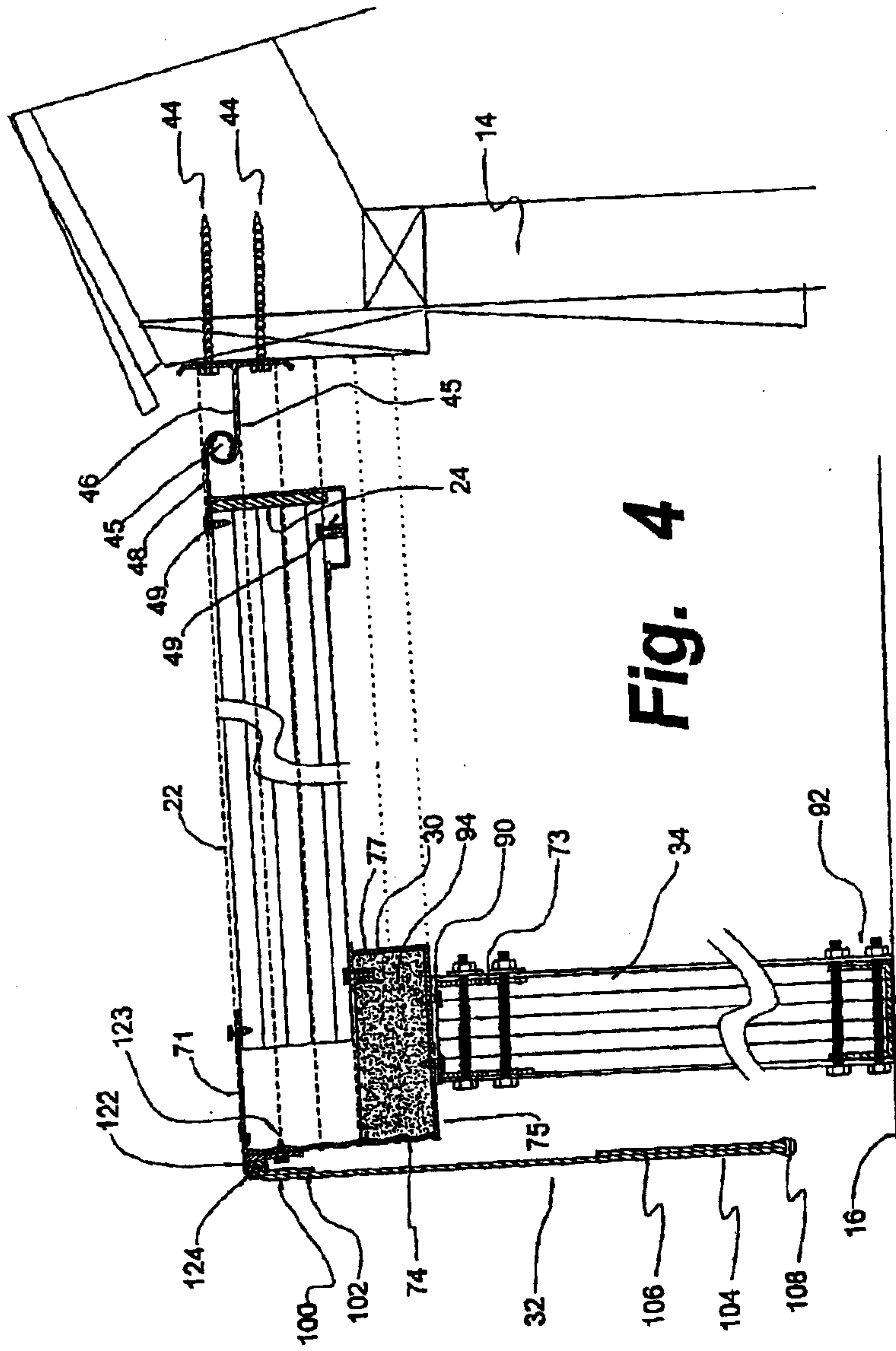
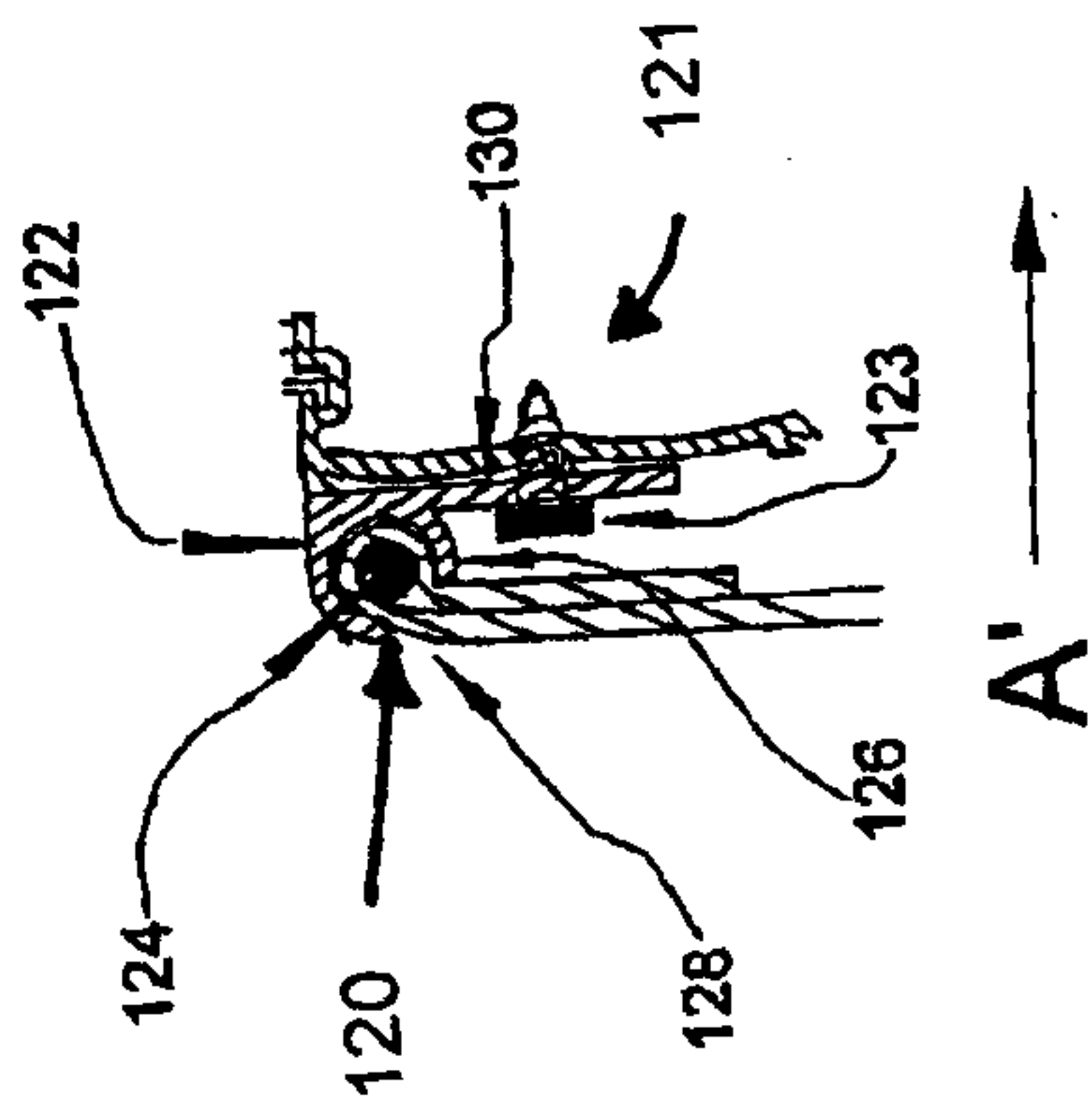
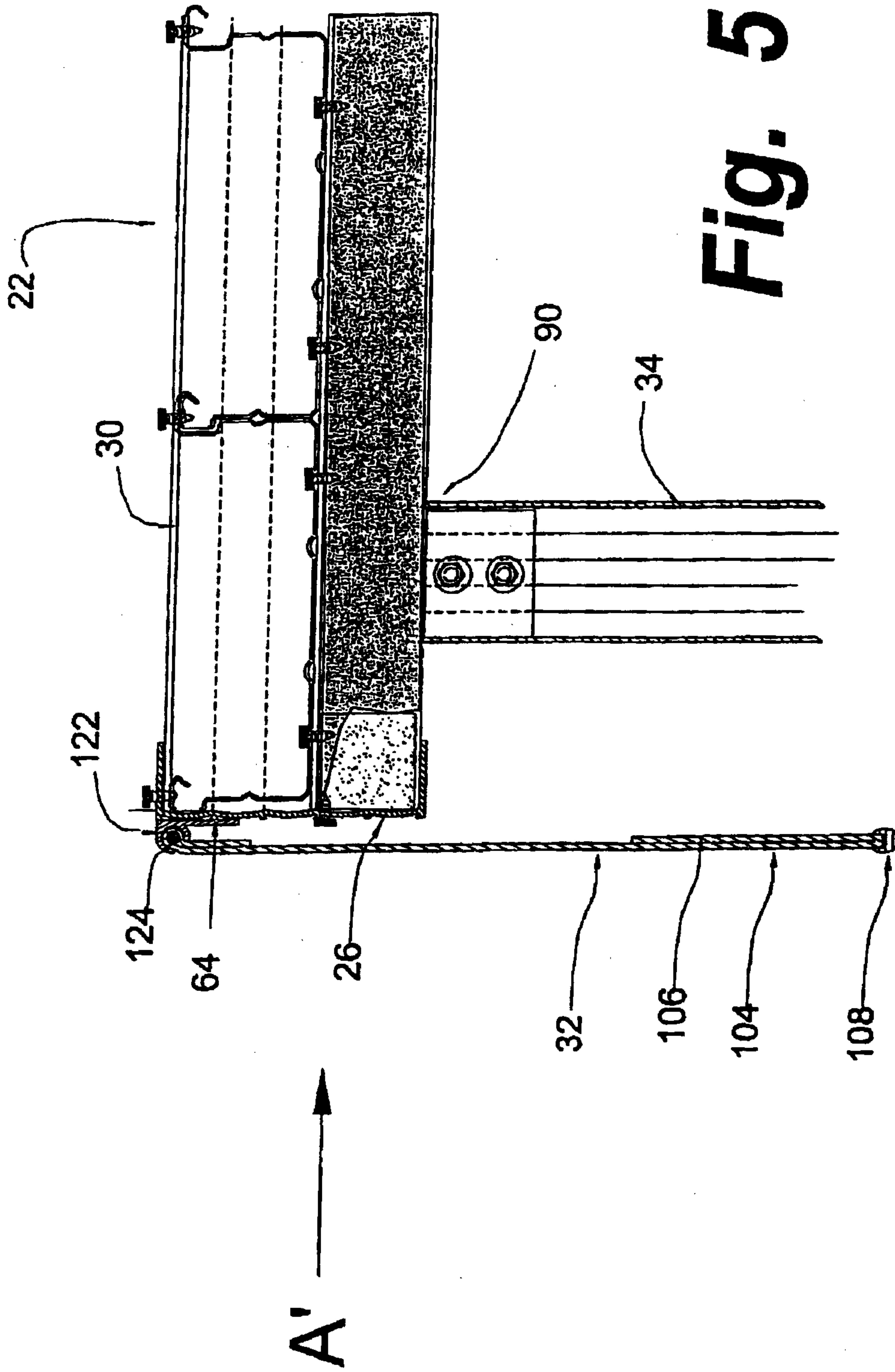


Fig. 4



**Fig. 5**

