



US00D797747S

(12) **United States Design Patent**
Xu

(10) **Patent No.:** **US D797,747 S**
(45) **Date of Patent:** **** Sep. 19, 2017**

(54) **ADAPTER**
(71) Applicant: **FOXCONN INTERCONNECT TECHNOLOGY LIMITED**, Grand Cayman (KY)
(72) Inventor: **Yin-Chao Xu**, Kunshan (CN)
(73) Assignee: **FOXCONN INTERCONNECT TECHNOLOGY LIMITED**, Grand Cayman (KY)
(**) Term: **15 Years**

D578,991 S *	10/2008	Donovan	D14/155
D587,209 S *	2/2009	Tsai	D13/147
D604,725 S *	11/2009	Chen	D13/184
D618,226 S *	6/2010	Tong	D13/133
D618,240 S *	6/2010	Larmour	D14/230
D631,883 S *	2/2011	Maier	D14/435.1
D665,734 S *	8/2012	Fitch	D13/107
D691,095 S *	10/2013	Izen	D13/147
9,160,124 B2 *	10/2015	Colahan	H01R 31/06
D759,017 S *	6/2016	Schwalbach	D14/433
D769,877 S *	10/2016	Akana	D14/433
D772,878 S *	11/2016	Chiang	D14/433
D781,294 S *	3/2017	Schwalbach	D14/433
2007/0293079 A1 *	12/2007	Chao	H01R 13/6275 439/352

(21) Appl. No.: **29/589,996**

FOREIGN PATENT DOCUMENTS

(22) Filed: **Jan. 6, 2017**

CN 203747082 U 7/2014

(30) **Foreign Application Priority Data**

* cited by examiner

Jul. 8, 2016 (CN) 2016 3 0309702

Primary Examiner — Austin Murphy
(74) *Attorney, Agent, or Firm* — Wei Te Chung; Ming Chieh Chang

(51) **LOC (10) Cl.** **14-02**

(52) **U.S. Cl.**
USPC **D14/433**

(57) **CLAIM**

(58) **Field of Classification Search**
USPC D14/356, 432-434, 453, 454, 511, 203.8, D14/209.1, 238.1, 240, 125; 439/638, 439/928, 105, 502; 710/303, 304; 361/679.41, 679.55, 679.56; D13/110, D13/133, 146
CPC H01R 24/64; H01R 24/62; H01R 12/714; H01R 13/506; H01R 13/6658
See application file for complete search history.

The ornamental design is for a adapter, as shown and described.

DESCRIPTION

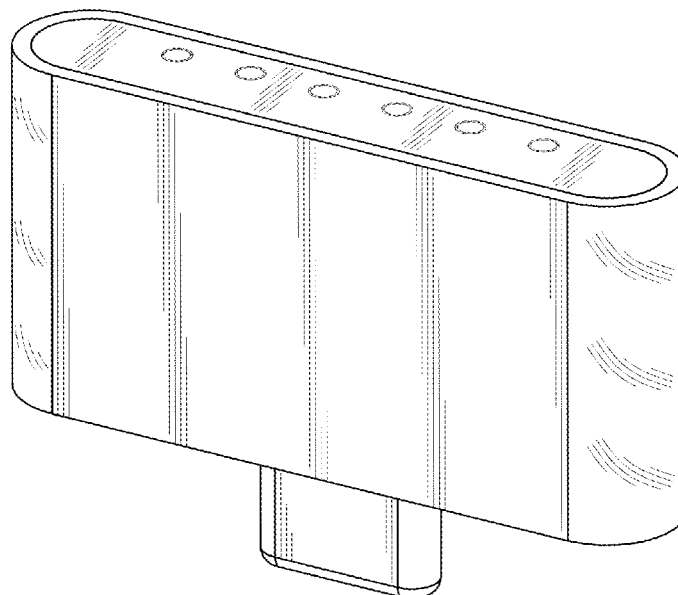
FIG. 1 is a perspective view of a adapter showing my new design;
FIG. 2 is a front elevational view thereof;
FIG. 3 is a rear elevational view thereof;
FIG. 4 is a left side elevational view thereof;
FIG. 5 is a right side elevational view thereof;
FIG. 6 is a top plan view thereof; and,
FIG. 7 is a bottom plan view thereof.

(56) **References Cited**

U.S. PATENT DOCUMENTS

1 Claim, 7 Drawing Sheets

D454,110 S * 3/2002 Andre D13/110
D531,127 S * 10/2006 Zhong D13/147



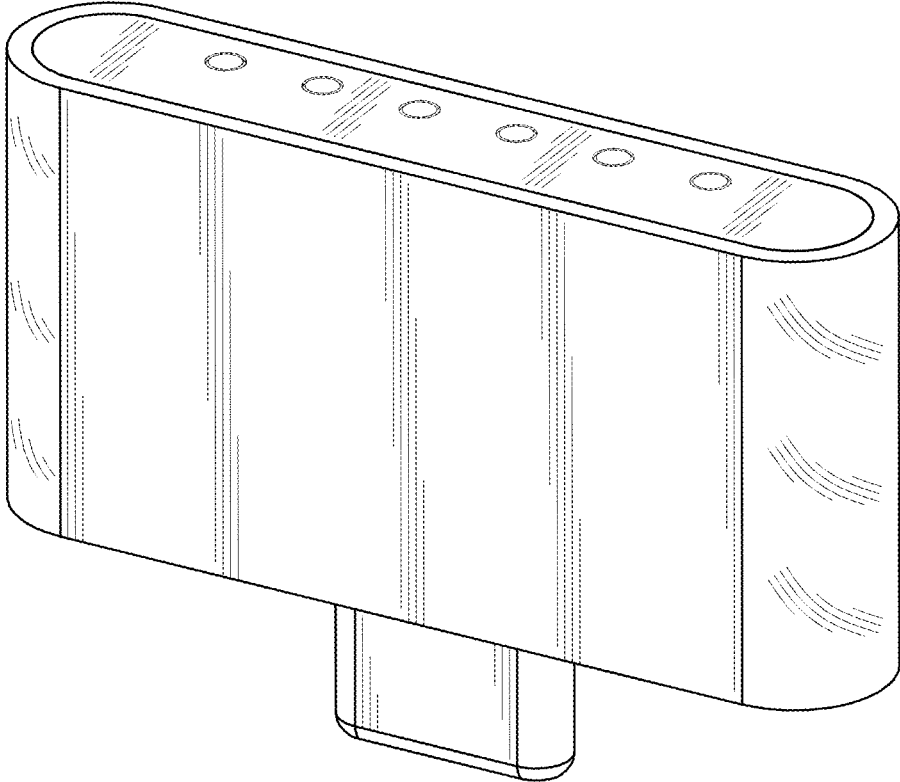


FIG. 1

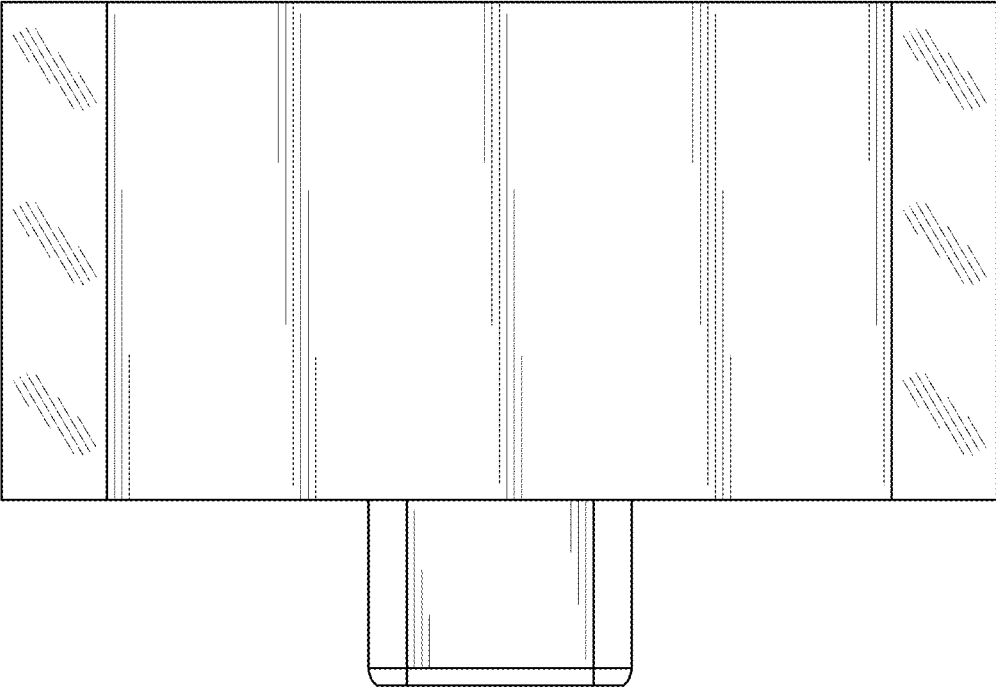


FIG. 2

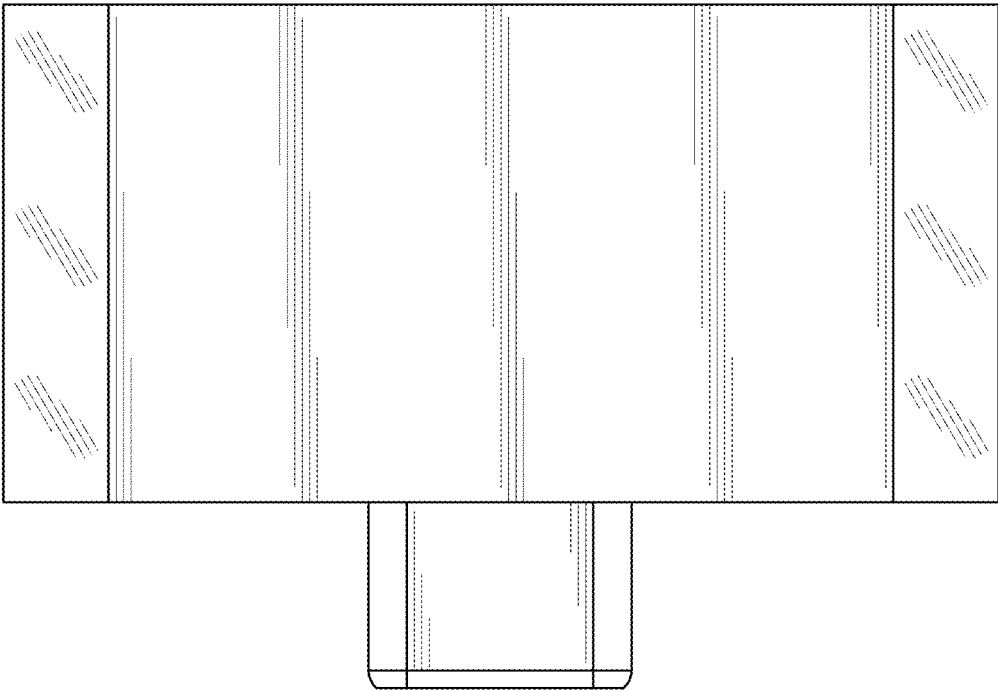


FIG. 3

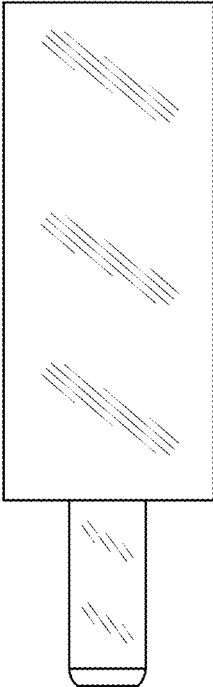


FIG. 4

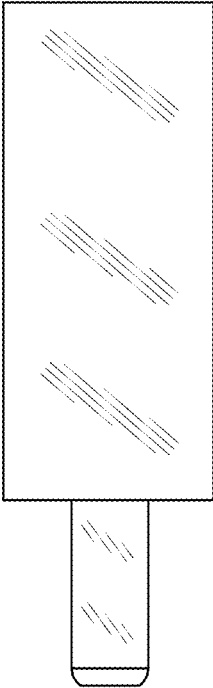


FIG. 5

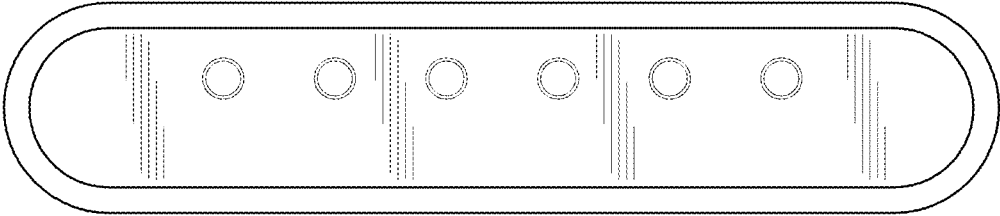


FIG. 6

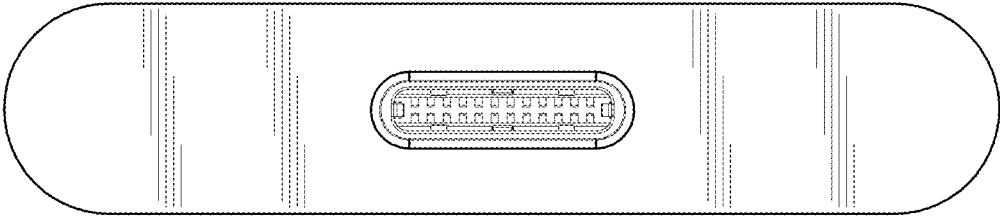


FIG. 7