

(19) World Intellectual Property Organization  
International Bureau



(10) International Publication Number  
**WO 2010/105043 A3**

(43) International Publication Date  
16 September 2010 (16.09.2010)

(51) International Patent Classification:  
*H04W 4/14* (2009.01)

(21) International Application Number:  
PCT/US2010/026964

(22) International Filing Date:  
11 March 2010 (11.03.2010)

(25) Filing Language: English

(26) Publication Language: English

(30) Priority Data:  
61/159,337 11 March 2009 (11.03.2009) US

(71) Applicant (for all designated States except US): **TEK-ELEC** [US/US]; 5200 Paramount Parkway, Morrisville, NC 27560 (US).

(72) Inventor; and

(75) Inventor/Applicant (for US only): **NOOREN, Eloy Johan, Lambertus** [NL/NL]; Haagweg 416, NL-4813 XG Breda (NL).

(74) Agent: **HUNT, Gregory, A.**; Jenkins, Wilson, Taylor & Hunt, P.A., Suite 1200, University Tower, 3100 Tower Boulevard, Durham, NC 27707 (US).

(81) Designated States (unless otherwise indicated, for every kind of national protection available): AE, AG, AL, AM,

AO, AT, AU, AZ, BA, BB, BG, BH, BR, BW, BY, BZ, CA, CH, CL, CN, CO, CR, CU, CZ, DE, DK, DM, DO, DZ, EC, EE, EG, ES, FI, GB, GD, GE, GH, GM, GT, HN, HR, HU, ID, IL, IN, IS, JP, KE, KG, KM, KN, KP, KR, KZ, LA, LC, LK, LR, LS, LT, LU, LY, MA, MD, ME, MG, MK, MN, MW, MX, MY, MZ, NA, NG, NI, NO, NZ, OM, PE, PG, PH, PL, PT, RO, RS, RU, SC, SD, SE, SG, SK, SL, SM, ST, SV, SY, TH, TJ, TM, TN, TR, TT, TZ, UA, UG, US, UZ, VC, VN, ZA, ZM, ZW.

(84) Designated States (unless otherwise indicated, for every kind of regional protection available): ARIPO (BW, GH, GM, KE, LS, MW, MZ, NA, SD, SL, SZ, TZ, UG, ZM, ZW), Eurasian (AM, AZ, BY, KG, KZ, MD, RU, TJ, TM), European (AT, BE, BG, CH, CY, CZ, DE, DK, EE, ES, FI, FR, GB, GR, HR, HU, IE, IS, IT, LT, LU, LV, MC, MK, MT, NL, NO, PL, PT, RO, SE, SI, SK, SM, TR), OAPI (BF, BJ, CF, CG, CI, CM, GA, GN, GQ, GW, ML, MR, NE, SN, TD, TG).

Published:

— with international search report (Art. 21(3))

(88) Date of publication of the international search report:  
13 January 2011

(54) Title: METHODS, SYSTEMS, AND COMPUTER READABLE MEDIA FOR SHORT MESSAGE SERVICE (SMS) FORWARDING

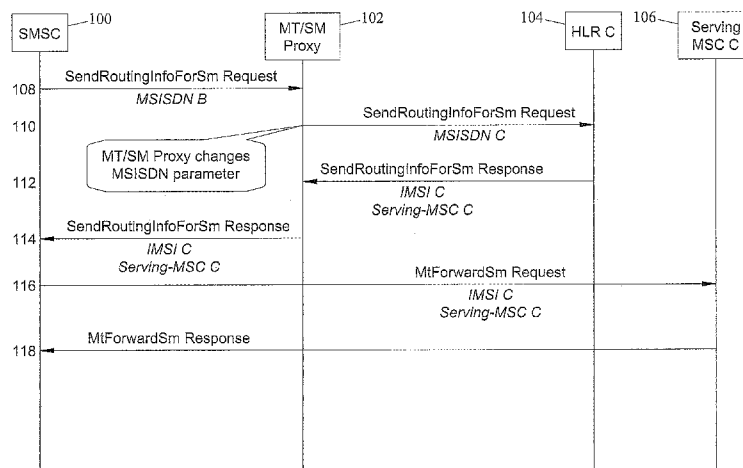
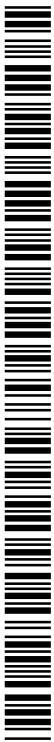


FIG. 1

(57) Abstract: Methods, systems, and computer readable media for SMS forwarding are disclosed. One method includes performing steps at a message service message proxy separate from a short message service center and implemented on a computing platform including at least one processor. The steps include receiving a message service message routing information response message containing message service message routing information for a first destination. The response message is modified to direct a mobile terminated message service message intended for the first destination to the message service message proxy. The mobile terminated message service message is then received at the message service message proxy and the message service message proxy determines whether a message service message forwarding feature is enabled for the first destination. In response to determining that a message service message forwarding feature is enabled for the first destination, it is determined whether the mobile terminated message service message is eligible for forwarding to a second destination. In response to determining the mobile terminated message service message is eligible for forwarding, signaling is initiated to forward the mobile terminated message service message to the second destination.



WO 2010/105043 A3

**A. CLASSIFICATION OF SUBJECT MATTER****H04W 4/14(2009.01)i**

According to International Patent Classification (IPC) or to both national classification and IPC

**B. FIELDS SEARCHED**

Minimum documentation searched (classification system followed by classification symbols)

H04W 4/14; H04W 4/12;

Documentation searched other than minimum documentation to the extent that such documents are included in the fields searched

Korean utility models and applications for utility models

Japanese utility models and applications for utility models

Electronic data base consulted during the international search (name of data base and, where practicable, search terms used)

eKOMPASS(KIPO internal) &amp; Keywords: SMS, forward, routing

**C. DOCUMENTS CONSIDERED TO BE RELEVANT**

Category*	Citation of document, with indication, where appropriate, of the relevant passages	Relevant to claim No.
X A	KR 10-2003-0000491 A (SK TELECOM CO., LTD.) 06 January 2003 See abstract; figure 2; and pages 2-3.	1,6-7,14-15 2-5,8-13
A	US 2002-0187794 A1 (GIDEON FOSTICK et al.) 12 December 2002 See abstract; figure 2; and paragraphs [5]-[7],[47].	1-15
A	KR 10-2008-0006225 A (SK TELECOM CO., LTD.) 16 January 2008 See abstract; figures 1-2; pages 3-4; and claims 1-2.	1-15

 Further documents are listed in the continuation of Box C. See patent family annex.

\* Special categories of cited documents:

"A" document defining the general state of the art which is not considered to be of particular relevance

"E" earlier application or patent but published on or after the international filing date

"L" document which may throw doubts on priority claim(s) or which is cited to establish the publication date of citation or other special reason (as specified)

"O" document referring to an oral disclosure, use, exhibition or other means

"P" document published prior to the international filing date but later than the priority date claimed

"T" later document published after the international filing date or priority date and not in conflict with the application but cited to understand the principle or theory underlying the invention

"X" document of particular relevance; the claimed invention cannot be considered novel or cannot be considered to involve an inventive step when the document is taken alone

"Y" document of particular relevance; the claimed invention cannot be considered to involve an inventive step when the document is combined with one or more other such documents, such combination being obvious to a person skilled in the art

"&amp;" document member of the same patent family

Date of the actual completion of the international search

17 SEPTEMBER 2010 (17.09.2010)

Date of mailing of the international search report

**27 SEPTEMBER 2010 (27.09.2010)**

Name and mailing address of the ISA/KR

Korean Intellectual Property Office  
Government Complex-Daejeon, 139 Seonsa-ro, Seo-  
gu, Daejeon 302-701, Republic of Korea

Facsimile No. 82-42-472-7140

Authorized officer

Moon, Sung Don

Telephone No. 82-42-481-8128



**INTERNATIONAL SEARCH REPORT**

Information on patent family members

International application No.

**PCT/US2010/026964**

Patent document cited in search report	Publication date	Patent family member(s)	Publication date
KR 10-2003-0000491 A	06.01.2003	None	
US 2002-0187794 A1	12.12.2002	DE 60214276 T2 EP 1255414 A2 EP 1255414 A3 EP 1255414 B1	12.04.2007 06.11.2002 22.01.2003 30.08.2006
KR 10-2008-0006225 A	16.01.2008	None	