



US00D809053S

(12) **United States Design Patent**  
**Carnevali**

(10) **Patent No.:** **US D809,053 S**

(45) **Date of Patent:** **\*\* Jan. 30, 2018**

(54) **ADAPTER BASE WITH BALL MOUNT**

(71) Applicant: **Jeffrey D. Carnevali**, Seattle, WA (US)

(72) Inventor: **Jeffrey D. Carnevali**, Seattle, WA (US)

(\*\*) Term: **15 Years**

(21) Appl. No.: **29/556,146**

(22) Filed: **Feb. 27, 2016**

(51) **LOC (11) Cl.** ..... **16-05**

(52) **U.S. Cl.**

USPC ..... **D16/242**; D12/162

(58) **Field of Classification Search**

USPC .... D8/21, 305, 17, 27, 29, 26, 71, 107, 382,  
D8/387, 395; D12/159, 160, 162, 163,  
D12/167, 169, 172, 400, 420, 414.1, 406;  
D14/238; D34/35; D16/237, 240, 242,  
D16/245, 250

CPC : B60D 1/46; B60D 1/58; B60D 1/065; F16M  
11/14; G03B 17/568; G03B 17/561;  
G03B 17/566; G03B 17/58; G03B 17/56;  
G03B 17/00

See application file for complete search history.

(56) **References Cited**

**U.S. PATENT DOCUMENTS**

5,071,279	A	*	12/1991	Rutstrom	.....	F16M 11/14
						403/114
D476,554	S	*	7/2003	Niwa	.....	D6/328
D603,442	S	*	11/2009	Dordick	.....	D16/242
D607,381	S	*	1/2010	Lekkas	.....	D12/162
D683,383	S	*	5/2013	Skeoch	.....	D16/242
D695,816	S	*	12/2013	Raccach	.....	D16/242
D757,842	S	*	5/2016	Harrison	.....	D16/242
D758,473	S	*	6/2016	Costa	.....	D16/242
D759,147	S	*	6/2016	Harrison	.....	D16/242
D776,745	S	*	1/2017	Bennett	.....	D16/242

D778,884	S	*	2/2017	Taptic	.....	D14/238
2008/0121767	A1	*	5/2008	Wimberley	.....	F16M 11/14
						248/181.1
2015/0286116	A1	*	10/2015	Johnson, Sr.	.....	G03B 17/568
						348/373

**OTHER PUBLICATIONS**

Cowboystudio.com "Horizontal Surface Quick Release Buckle Mount for GoPro." Retrieved Feb. 14, 2017. ([http://www.cowboystudio.com/product\\_p/goprohorizontalquickbuckle.htm](http://www.cowboystudio.com/product_p/goprohorizontalquickbuckle.htm)).\*  
Ulcs.com. "Getting Started—if You Own a DSLR Housing." Retrieved Feb. 14, 2017. (<http://www.ulcs.com/gshousings.html>).\*

\* cited by examiner

*Primary Examiner* — Karen S Acker

*Assistant Examiner* — Jerry Shiuan-Hua Hsu

(74) *Attorney, Agent, or Firm* — Charles J. Rupnick

(57)

**CLAIM**

The ornamental design for an adapter base with ball mount, as shown and described.

**DESCRIPTION**

FIG. 1 is a top front right side perspective view of my new design;

FIG. 2 is a top front left side perspective view thereof;

FIG. 3 is a top rear right side perspective view thereof;

FIG. 4 is a bottom perspective view thereof;

FIG. 5 is a front elevational view thereof;

FIG. 6 is a rear elevational view thereof;

FIG. 7 is a left side elevational view thereof;

FIG. 8 is a right side elevational view thereof;

FIG. 9 is a top elevational view thereof; and,

FIG. 10 is a bottom elevational view thereof.

The broken lines illustrate portions of the adapter base with ball mount that form no part of the claimed design.

**1 Claim, 3 Drawing Sheets**

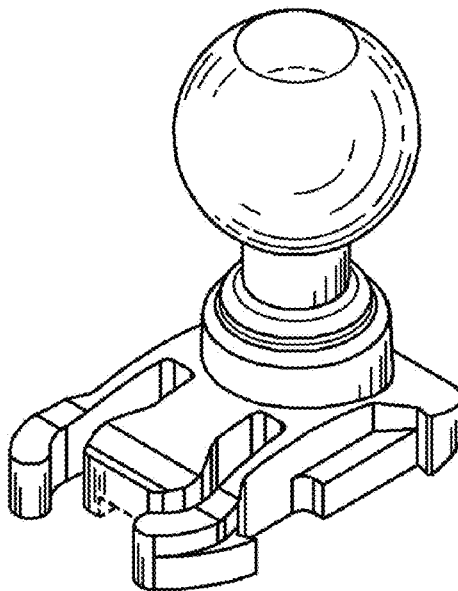


Fig. 1

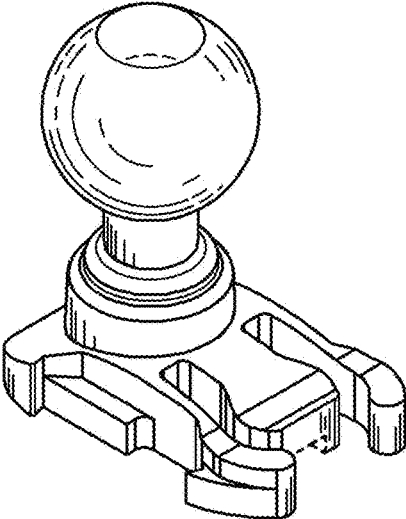
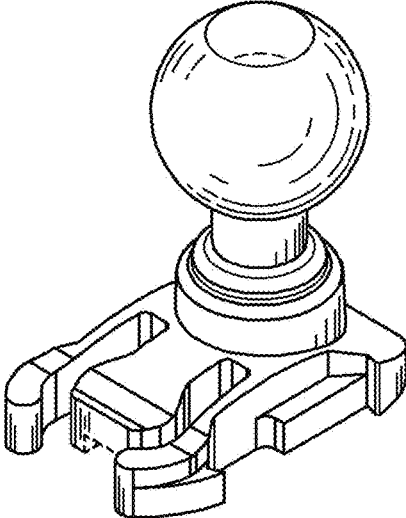


Fig. 2

Fig. 3

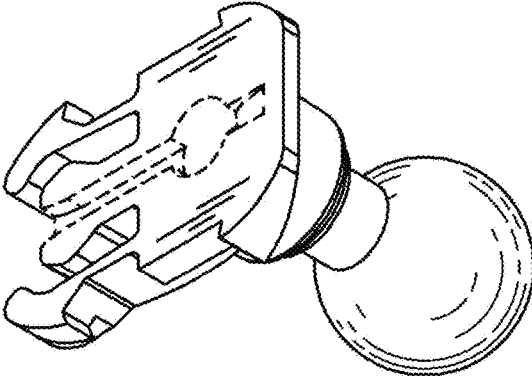
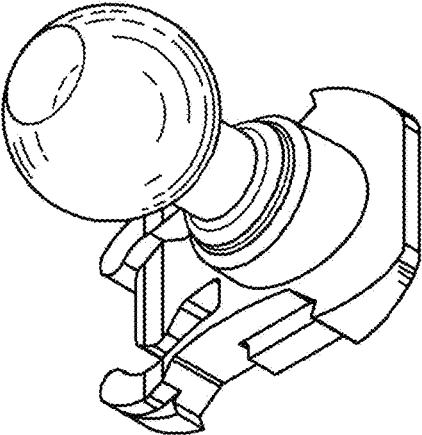


Fig. 4

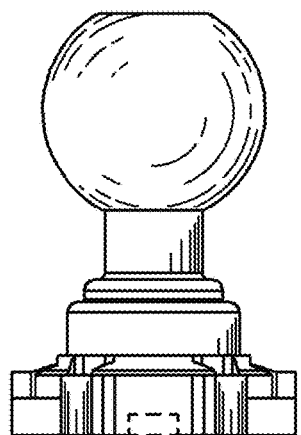


Fig. 5

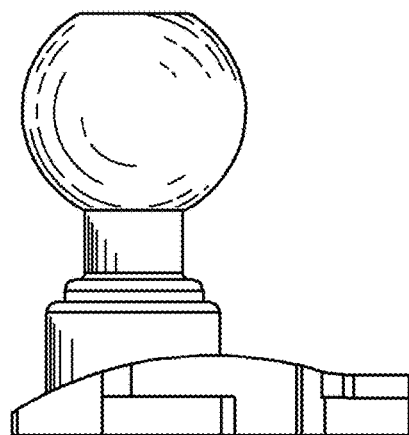


Fig. 7

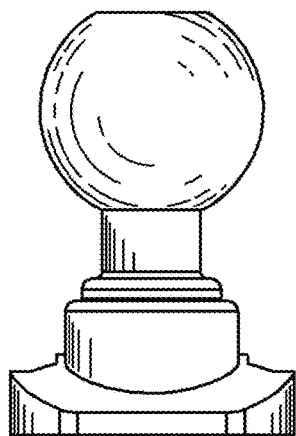


Fig. 6

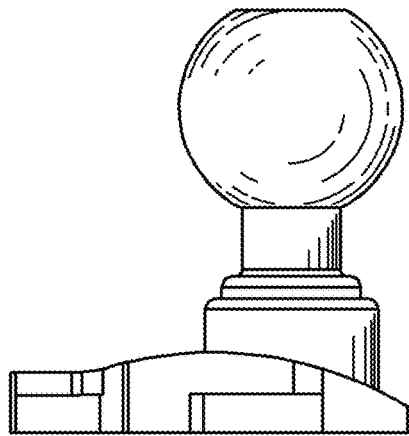


Fig. 8

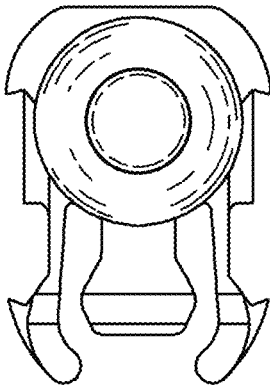


Fig. 9

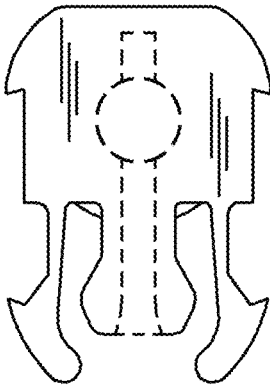


Fig. 10