



(12) **United States Design Patent**  
**Klever et al.**

(10) **Patent No.:** **US D820,972 S**  
(45) **Date of Patent:** **\*\* Jun. 19, 2018**

- (54) **WART FREEZING DEVICE**
- (71) Applicant: **PRONOVA LABORATORIES B.V.**,  
Muiden (NL)
- (72) Inventors: **Diede Hendrik Paul Klever**,  
Amsterdam (NL); **Maurice Rombout**,  
Hazerswoude-Rijndijk (NL)
- (73) Assignee: **PRONOVA LABORATORIES B.V.**,  
Muiden (NL)
- (\*\*) Term: **15 Years**

D562,977 S *	2/2008	Forlenza .....	D24/133
7,604,632 B2 *	10/2009	Howlett .....	A61B 18/0218 606/25
D637,848 S *	5/2011	Kramer .....	D6/545
D748,244 S *	1/2016	Petersen .....	D24/113
D748,245 S *	1/2016	Petersen .....	D24/113
D769,443 S *	10/2016	Held .....	D24/113
9,642,997 B2 *	5/2017	Ignon .....	A61B 17/54
2004/0102768 A1 *	5/2004	Cluzeau .....	A61B 18/0218 606/25
2005/0043723 A1 *	2/2005	Howlett .....	A61B 18/0218 606/22
2010/0168726 A1 *	7/2010	Brookman .....	A61B 18/0218 606/22

(Continued)

- (21) Appl. No.: **29/597,037**
- (22) Filed: **Mar. 14, 2017**
- (30) **Foreign Application Priority Data**

Dec. 20, 2016 (EM) ..... 003527787-0001

- (51) **LOC (11) Cl.** ..... **24-01**
- (52) **U.S. Cl.**

USPC ..... **D24/108**; D24/113; D24/133

- (58) **Field of Classification Search**
- USPC ..... D24/107, 108, 112-114, 133
- CPC ..... A61B 18/0218; A61B 18/02; A61B  
2018/0231; A61B 2018/00452; A61M  
35/003; A61M 35/00; A61M 2037/0007;  
A61M 2210/04

See application file for complete search history.

- (56) **References Cited**

**U.S. PATENT DOCUMENTS**

2,536,001 A *	12/1950	Chase .....	A61B 18/02 433/32
2,746,264 A *	5/1956	Keyes .....	A61B 18/02 606/25
D389,915 S *	1/1998	Emerson .....	D24/133
D423,666 S *	4/2000	Griswold .....	D24/133
D424,197 S *	5/2000	Sydrowski .....	D24/133

*Primary Examiner* — Karen E Kearney  
*Assistant Examiner* — Lilyana Bekic  
 (74) *Attorney, Agent, or Firm* — Porzio Bromberg & Newman P.C.

(57) **CLAIM**

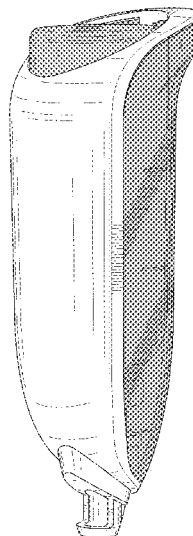
The ornamental design for a wart freezing device, as shown and described.

**DESCRIPTION**

The file of this patent contains at least one drawing/photograph executed in color. Copies of this patent with color drawing(s)/photograph(s) will be provided by the Office upon request and payment of the necessary fee.

- FIG. 1 is a front and right side perspective view of a wart freezing device showing our new design;
- FIG. 2 is a left side perspective view thereof;
- FIG. 3 is a front view thereof
- FIG. 4 is a rear view thereof;
- FIG. 5 is a right side view thereof;
- FIG. 6 is a left side view thereof;
- FIG. 7 is a top view thereof; and,
- FIG. 8 is a bottom view thereof.

**1 Claim, 8 Drawing Sheets**  
**(8 of 8 Drawing Sheet(s) Filed in Color)**



(56)

**References Cited**

U.S. PATENT DOCUMENTS

2015/0045782 A1\* 2/2015 Ottanelli ..... G07F 17/005  
606/25  
2015/0359664 A1\* 12/2015 Herweijer ..... A61B 18/02  
604/290  
2017/0189627 A1\* 7/2017 Klever ..... A61M 11/02

\* cited by examiner

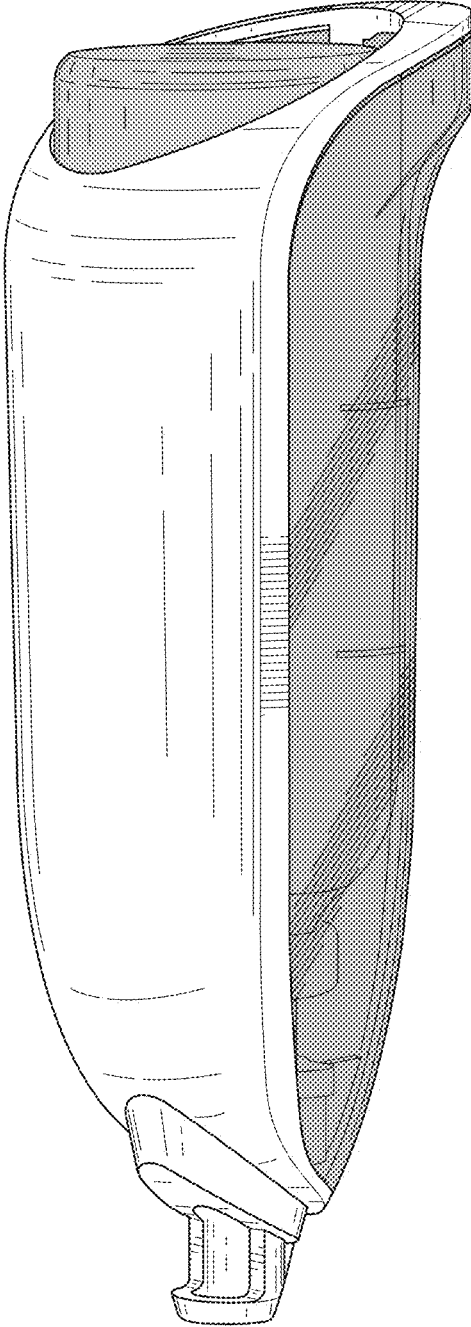


FIG. 1

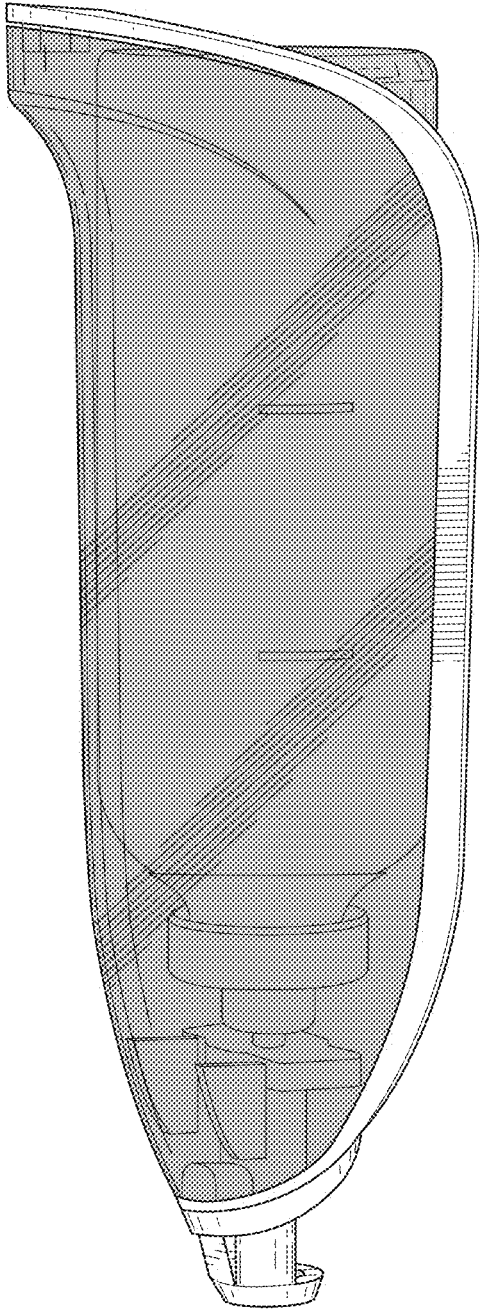


FIG. 2

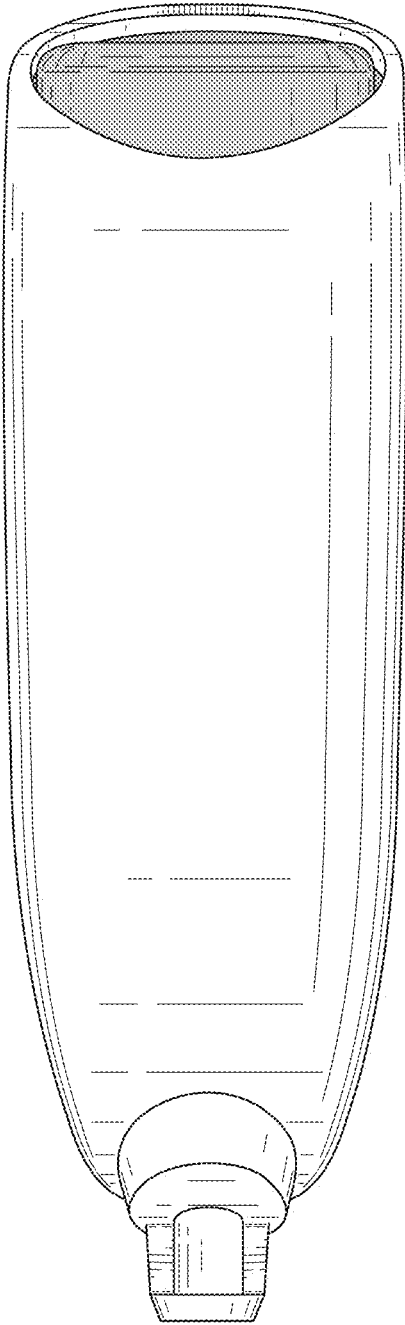


FIG. 3

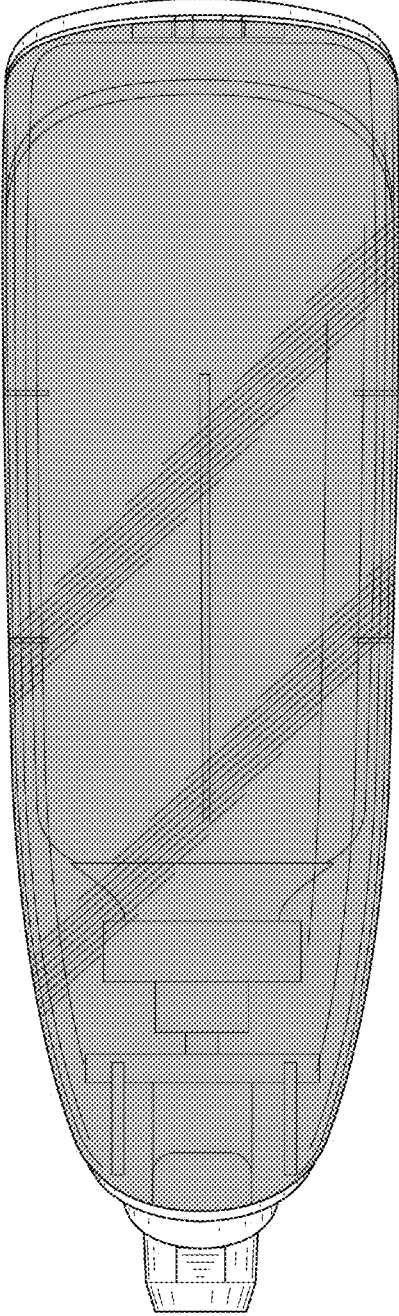


FIG. 4

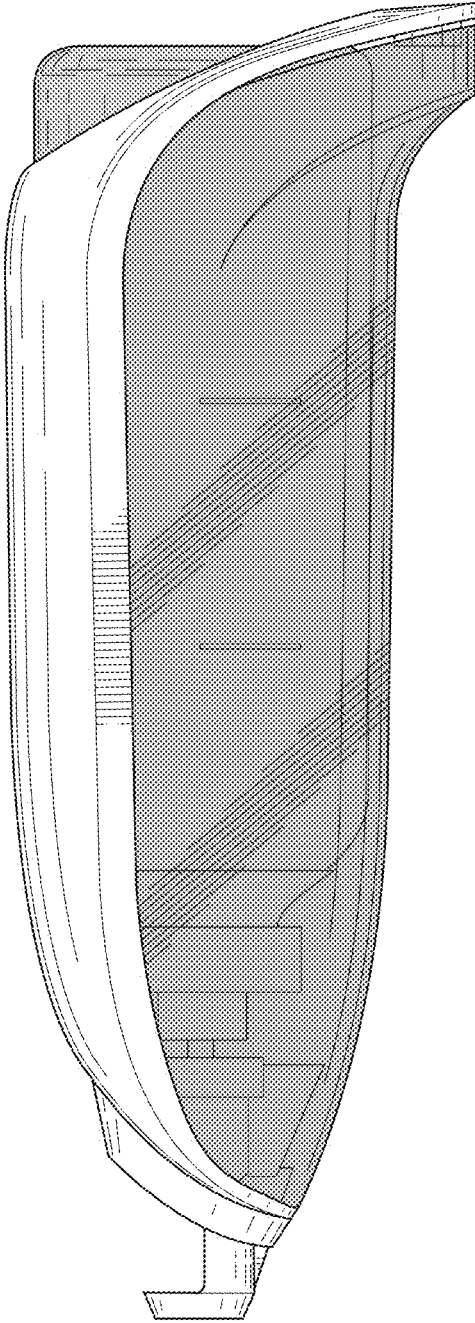


FIG. 5

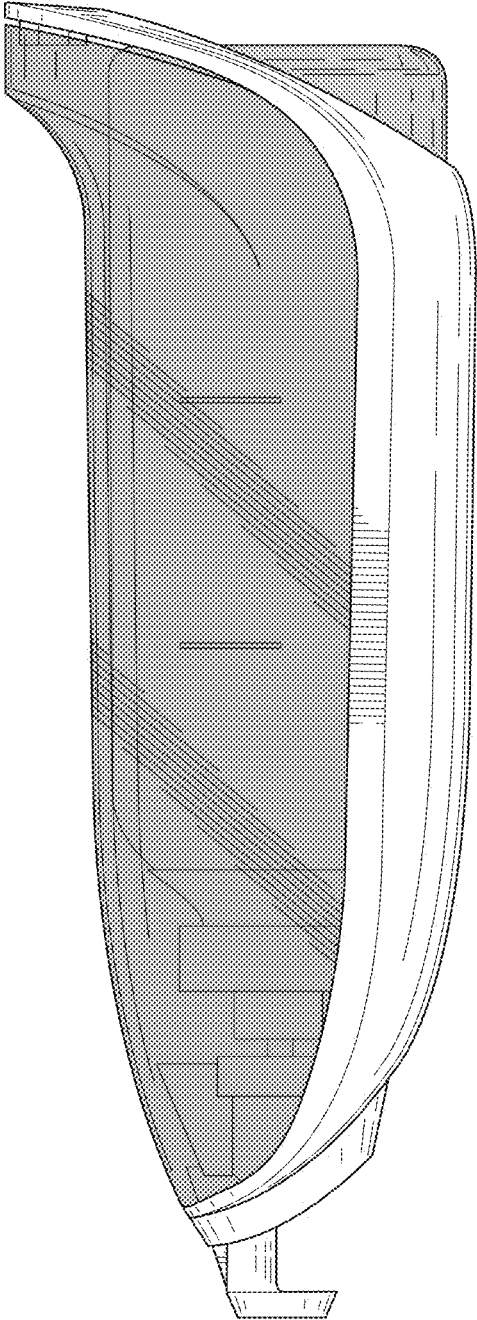


FIG. 6



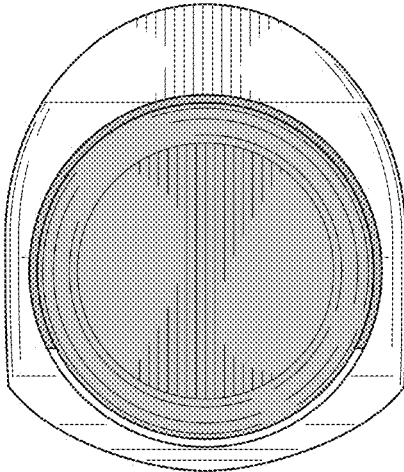


FIG. 7

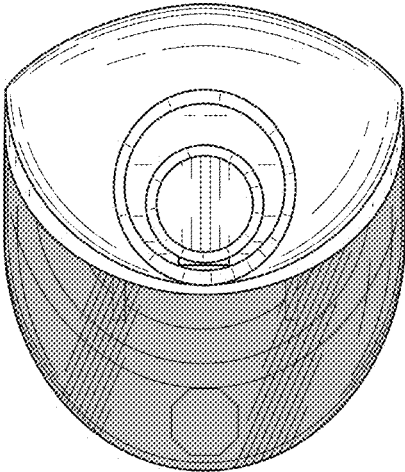


FIG. 8