



US00D577992S

(12) **United States Design Patent**  
**Sutker et al.**

(10) **Patent No.:** **US D577,992 S**

(45) **Date of Patent:** **\*\* Oct. 7, 2008**

(54) **BATTERY PACKAGE**

D508,398 S \* 8/2005 Lee et al. .... D9/415

(75) Inventors: **Martin T. Sutker**, Cooper City, FL  
(US); **Thomas D. Lane**, Boca Raton, FL  
(US); **Daniel W. Forbes**, Jupiter, FL  
(US)

\* cited by examiner

*Primary Examiner*—Robert M. Spear  
*Assistant Examiner*—Susan E Krakower  
(74) *Attorney, Agent, or Firm*—Casimir Jones, S.C.

(73) Assignee: **Atico International, USA**, Fort  
Lauderdale, FL (US)

(57) **CLAIM**

(\*\*) Term: **14 Years**

The ornamental design for a battery package, as shown and described.

(21) Appl. No.: **29/273,364**

(22) Filed: **Mar. 2, 2007**

(51) **LOC (8) Cl.** ..... **09-03**

(52) **U.S. Cl.** ..... **D9/418; D9/425**

(58) **Field of Classification Search** ..... D9/414–416,  
D9/418, 420, 424–432, 433, 443, 527–530,  
D9/704, 730–734, 751–757; D7/354, 360,  
D7/505, 553.1, 540–545, 554, 565–567, 570,  
D7/574, 584–586, 590, 604, 629; D30/123,  
D30/129–133; 426/115, 122, 394; 206/162,  
206/170, 216, 469, 471, 497, 508, 536, 557,  
206/804, 815; 220/4.21–4.22, 266, 350,  
220/470, 471, 495.01, 557, 574, 618, 793;  
229/117.14, 117.18, 123.1, 125.35, 220,  
229/406, 362.4; D3/203.1–203.3, 304, 314,  
D3/294, 323; 221/250, 260, 267, 281, 299,  
221/807; 40/310, 665

See application file for complete search history.

**DESCRIPTION**

FIG. 1 is a front elevational view showing a first embodiment of my new design;

FIG. 2 is a rear elevational view thereof;

FIG. 3 is a left side elevational view thereof;

FIG. 4 is a right side elevational view thereof;

FIG. 5 is a top plan view thereof;

FIG. 6 is a bottom plan view thereof;

FIG. 7 is a front perspective view thereof;

FIG. 8 is a rear perspective view thereof;

FIG. 9 is a left side perspective view thereof; and

FIG. 10 is a right side perspective view thereof.

FIG. 11 is a front elevational view showing a second embodiment of my new design;

FIG. 12 is a rear elevational view thereof;

FIG. 13 is a left side elevational view thereof;

FIG. 14 is a right side elevational view thereof;

FIG. 15 is a top plan view thereof;

FIG. 16 is a bottom plan view thereof;

FIG. 17 is a front perspective view thereof;

FIG. 18 is a rear perspective view thereof;

FIG. 19 is a left side perspective view thereof; and,

FIG. 20 is a right side perspective view thereof.

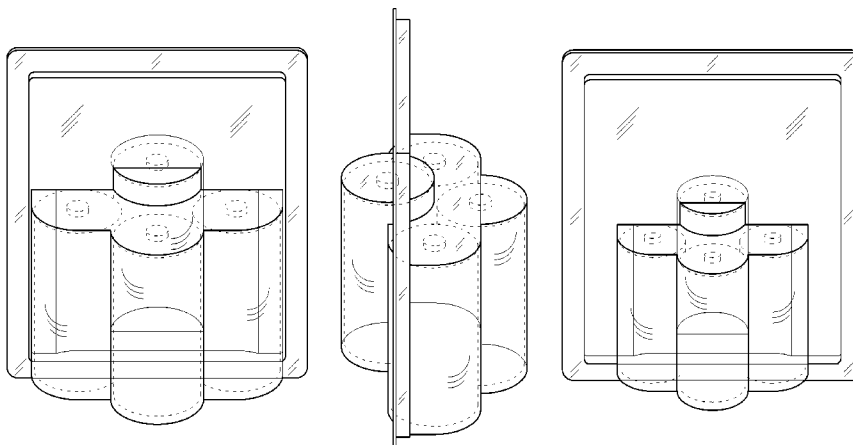
The broken lines in the drawings represent environmental structure and form no part of the claimed design.

(56) **References Cited**

**U.S. PATENT DOCUMENTS**

D222,580	S	*	11/1971	Nakakumo	.....	D9/415
D222,581	S	*	11/1971	Nakakumo	.....	D9/415
3,966,045	A	*	6/1976	Perdue	.....	206/443
D295,833	S	*	5/1988	Roth	.....	D9/722
D302,661	S	*	8/1989	Calcerano et al.	.....	D9/415
D302,662	S	*	8/1989	Calcerano et al.	.....	D9/415
D306,404	S	*	3/1990	Hill	.....	D9/415
5,029,705	A	*	7/1991	Schmidt et al.	.....	206/705
D320,158	S	*	9/1991	Contino	.....	D9/415
5,379,894	A	*	1/1995	Haas et al.	.....	206/705
D394,207	S	*	5/1998	Waterbury et al.	.....	D9/415
D410,384	S	*	6/1999	Gaffney et al.	.....	D9/415
D427,523	S	*	7/2000	Calcerano	.....	D9/415

**1 Claim, 14 Drawing Sheets**



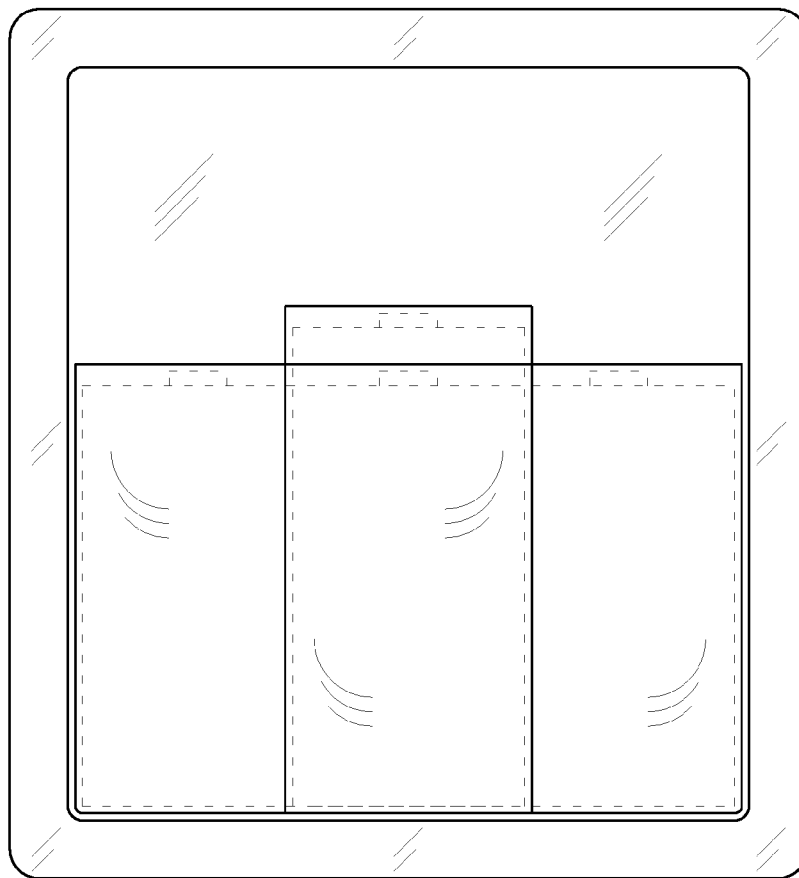


FIG. 1

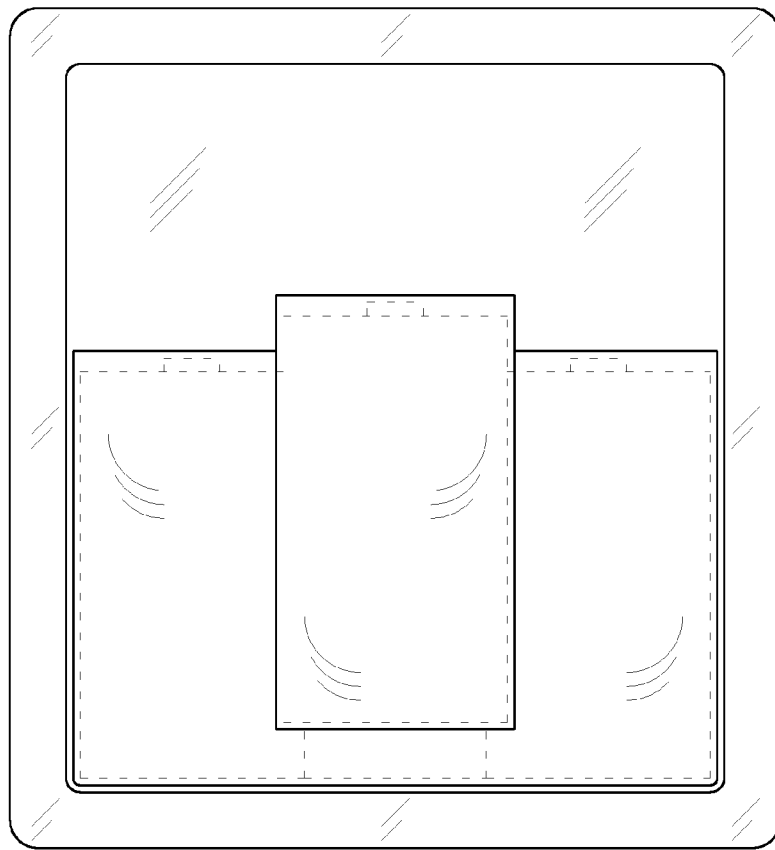


FIG. 2

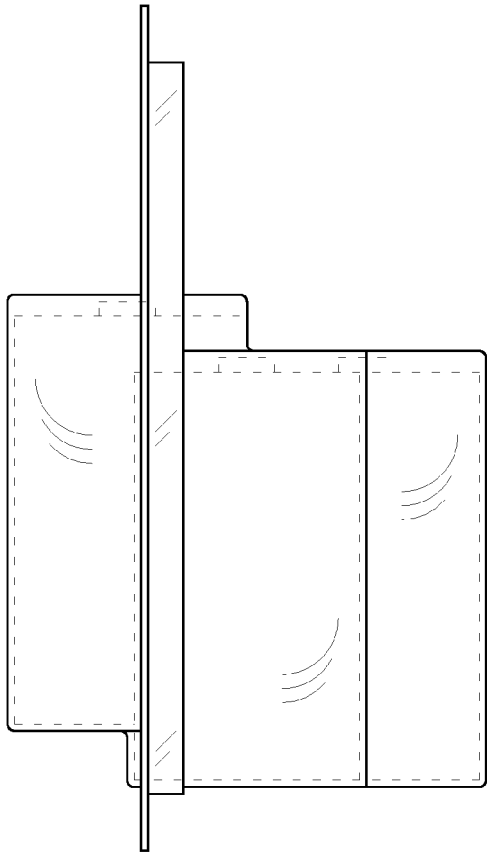


FIG. 3

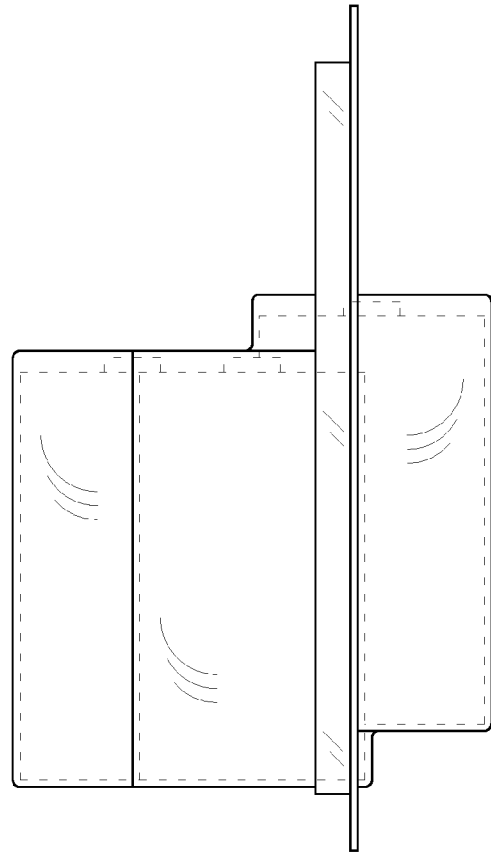


FIG. 4

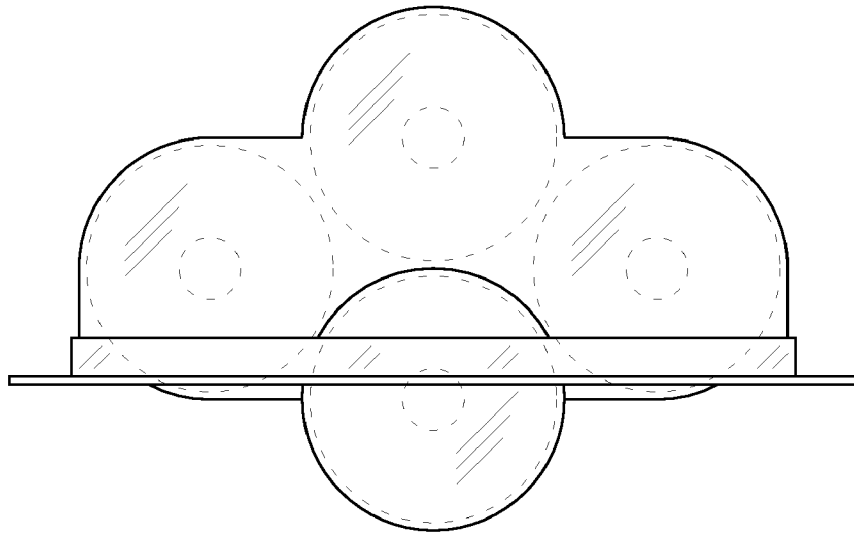


FIG. 5

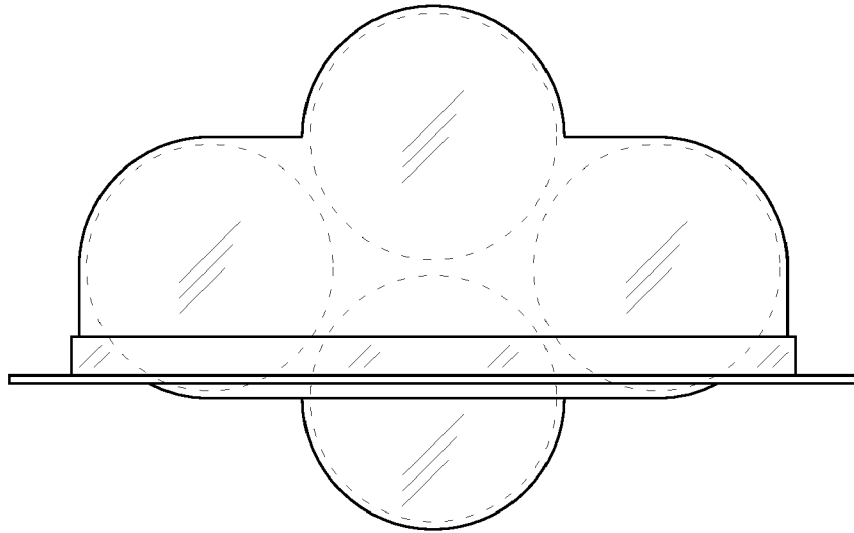


FIG. 6

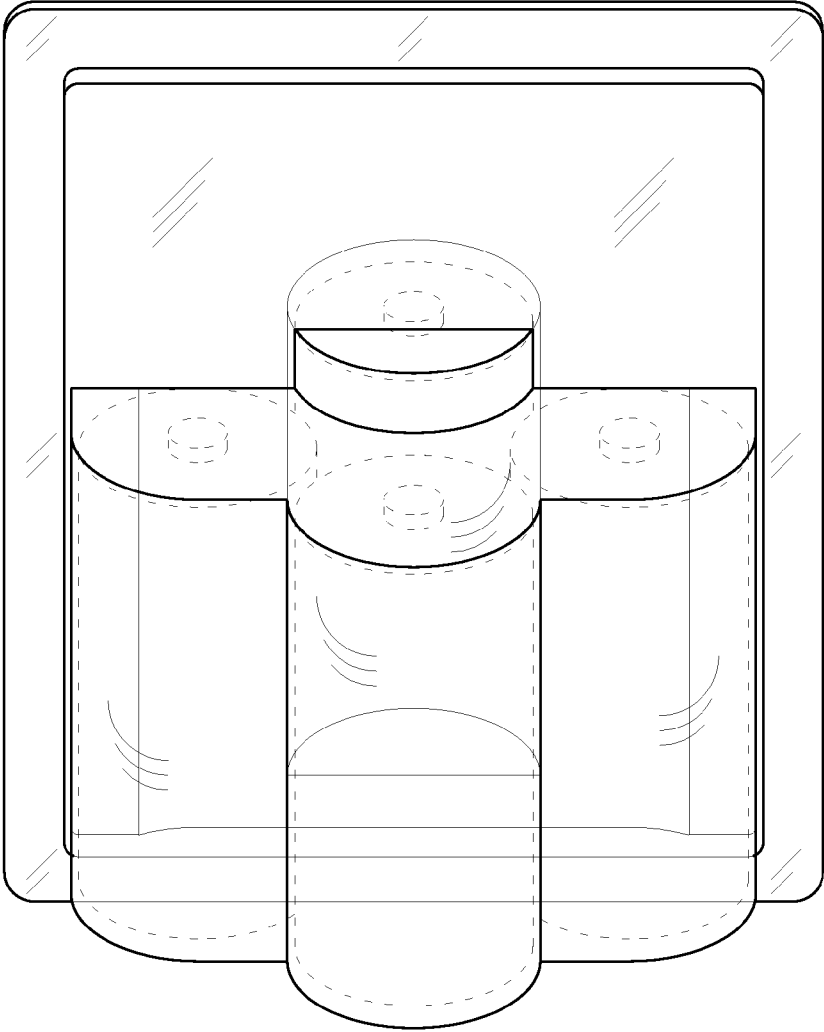


FIG. 7

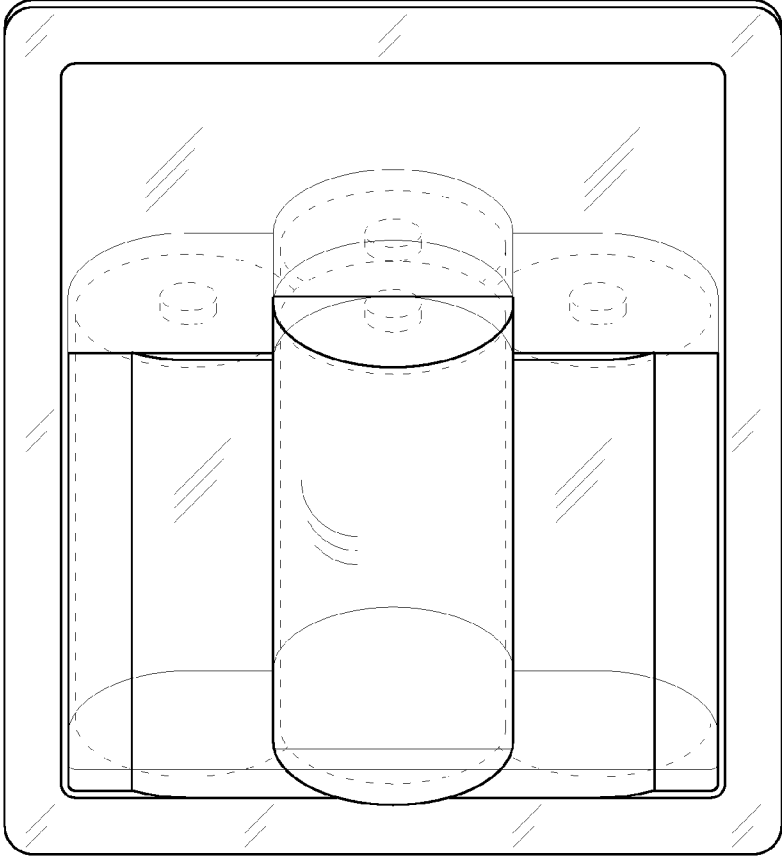


FIG. 8

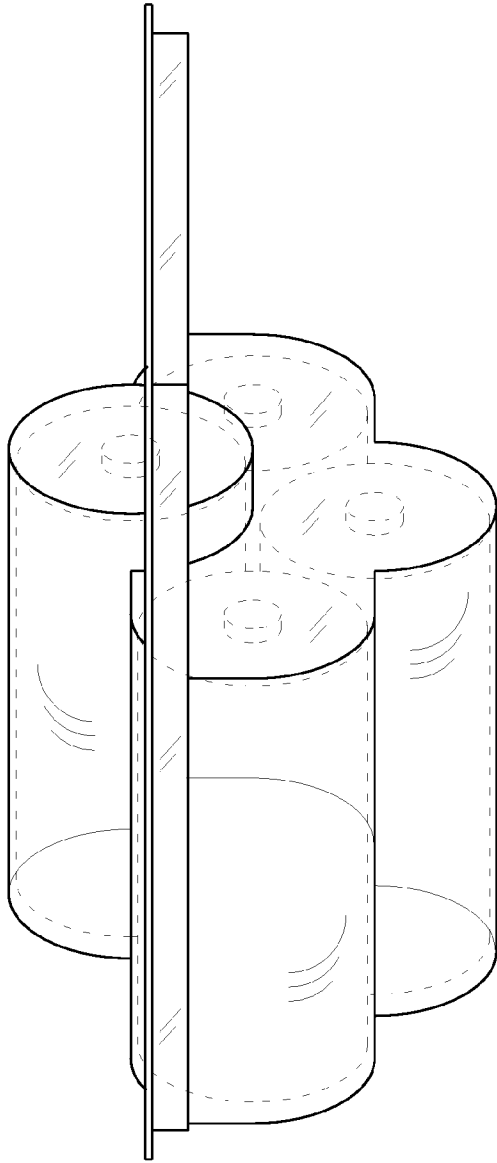


FIG. 9

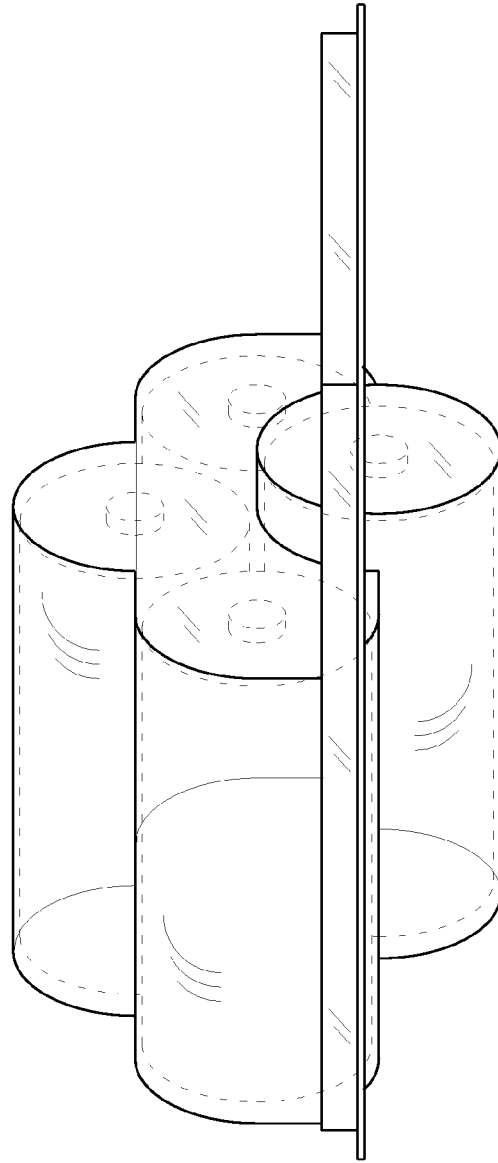


FIG. 10



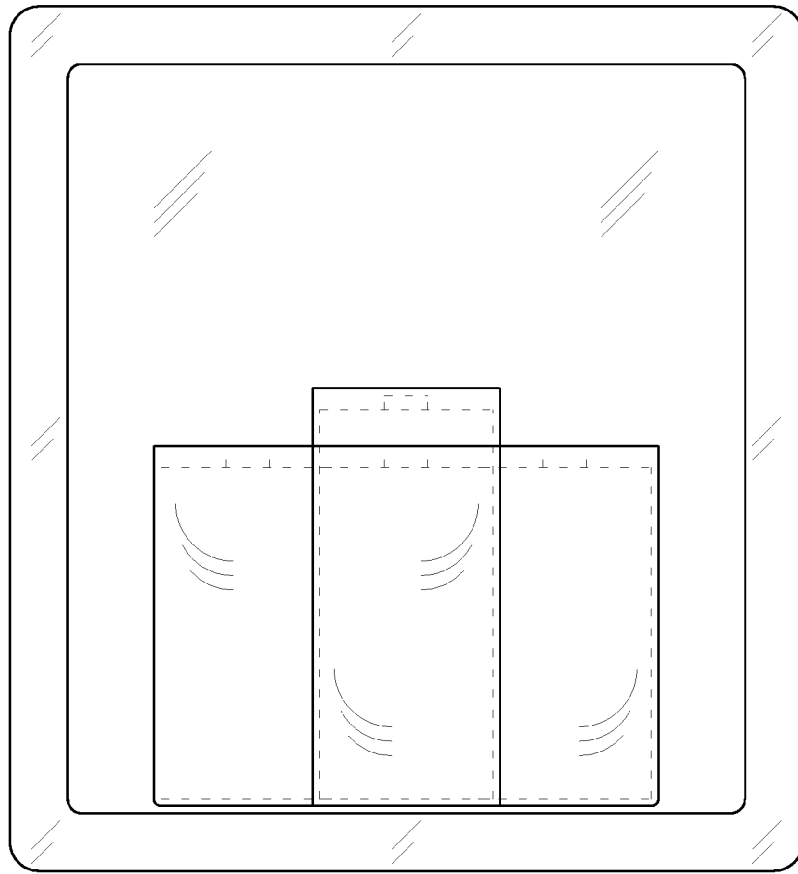


FIG. 11

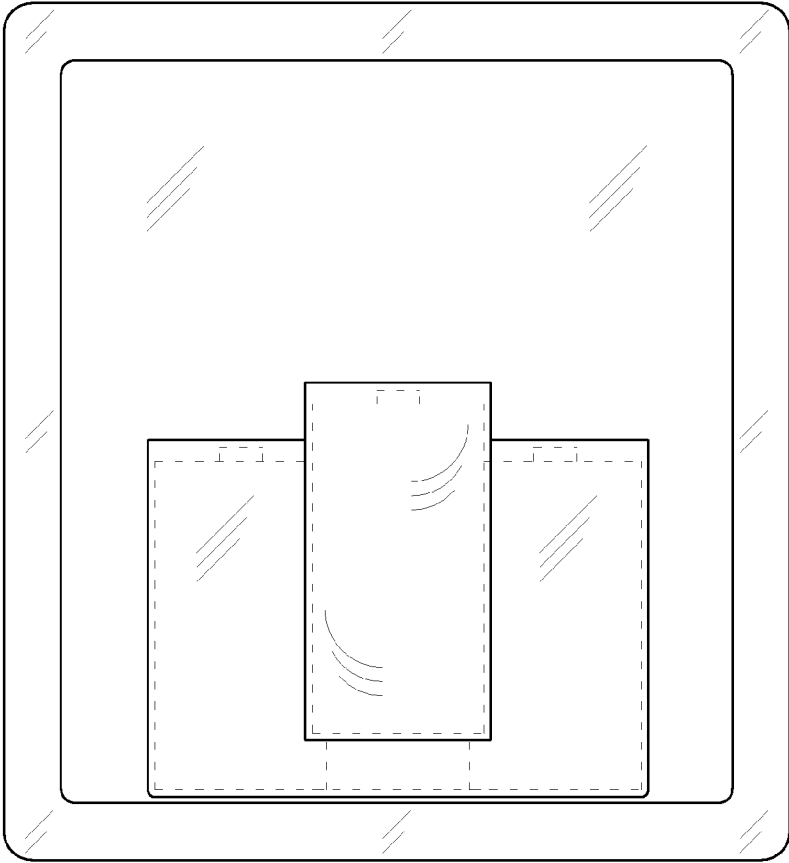


FIG. 12

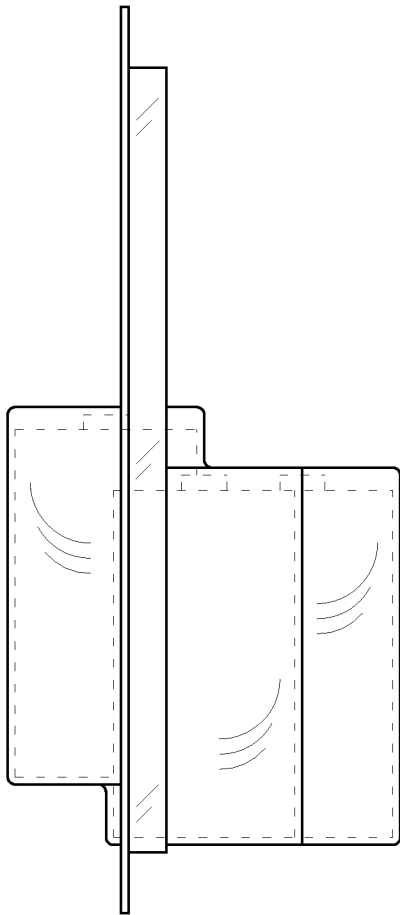


FIG. 13

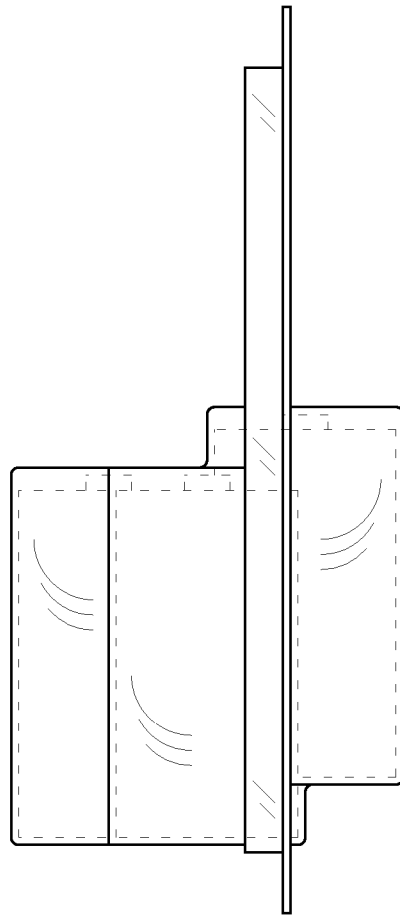


FIG. 14

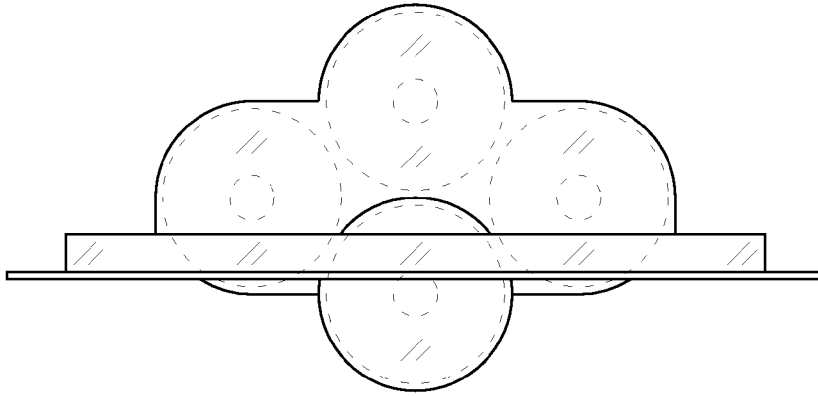


FIG. 15

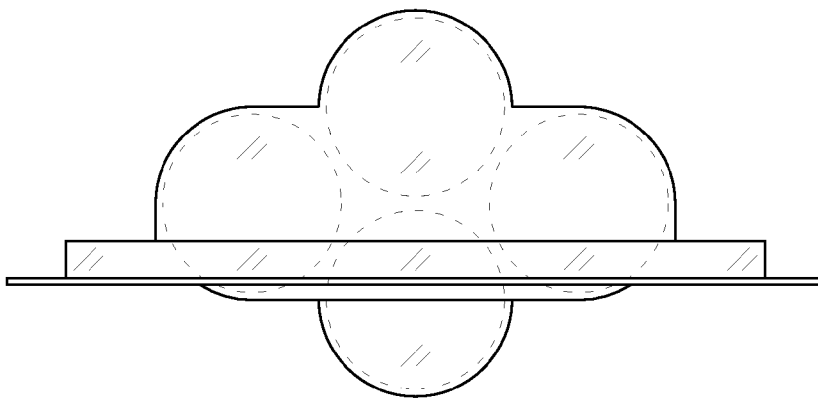


FIG. 16

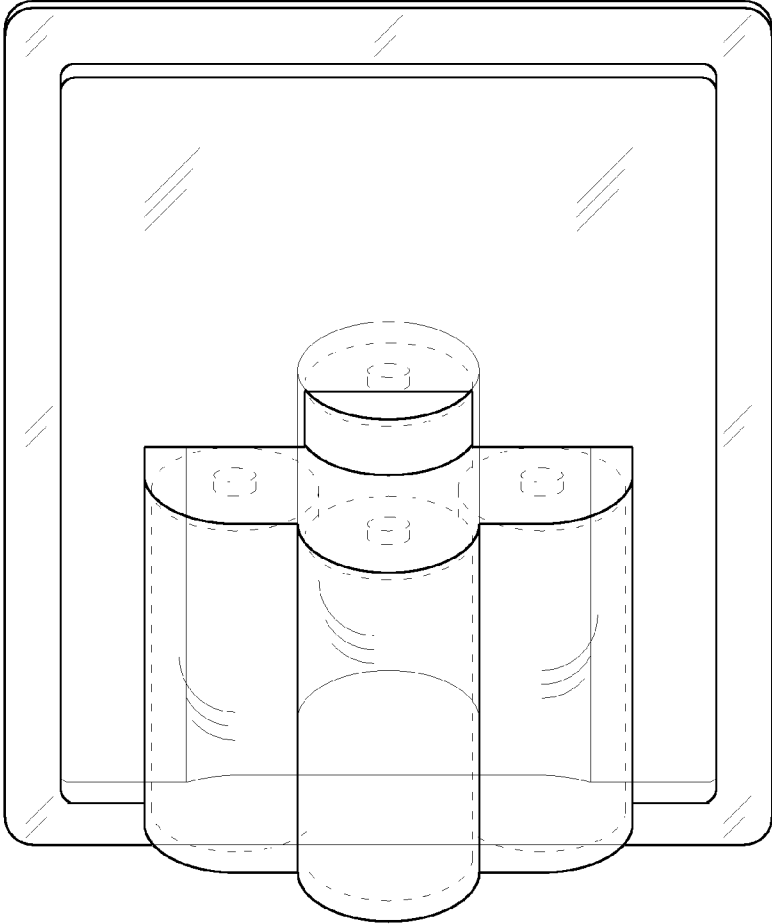


FIG. 17

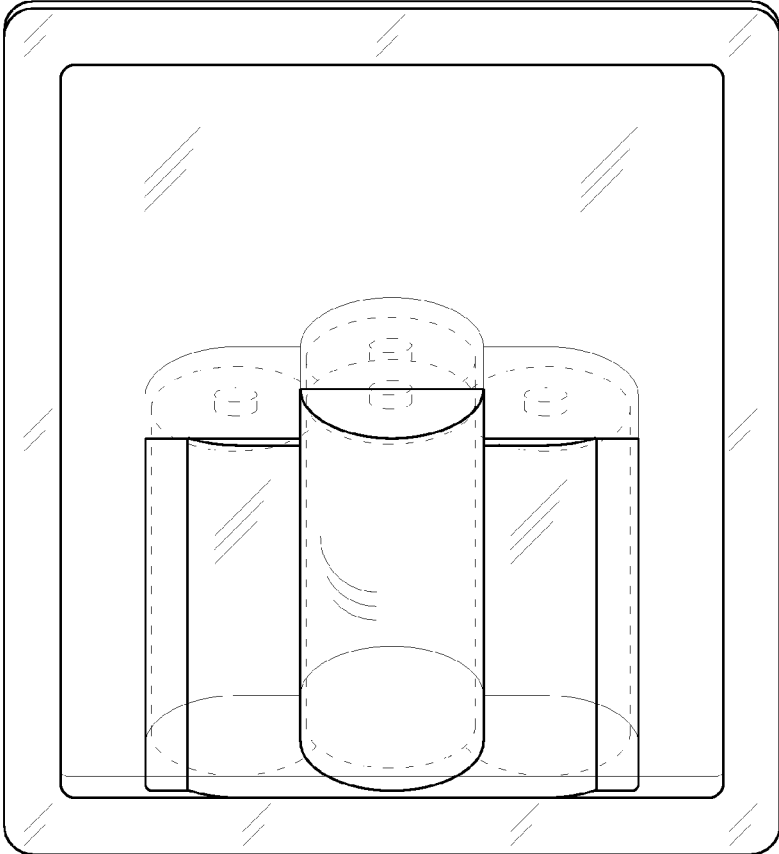


FIG. 18

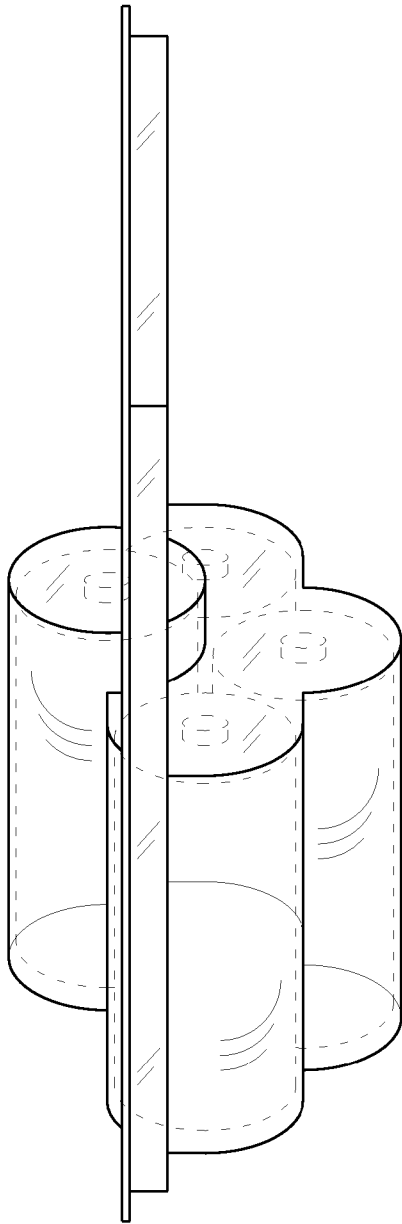


FIG. 19

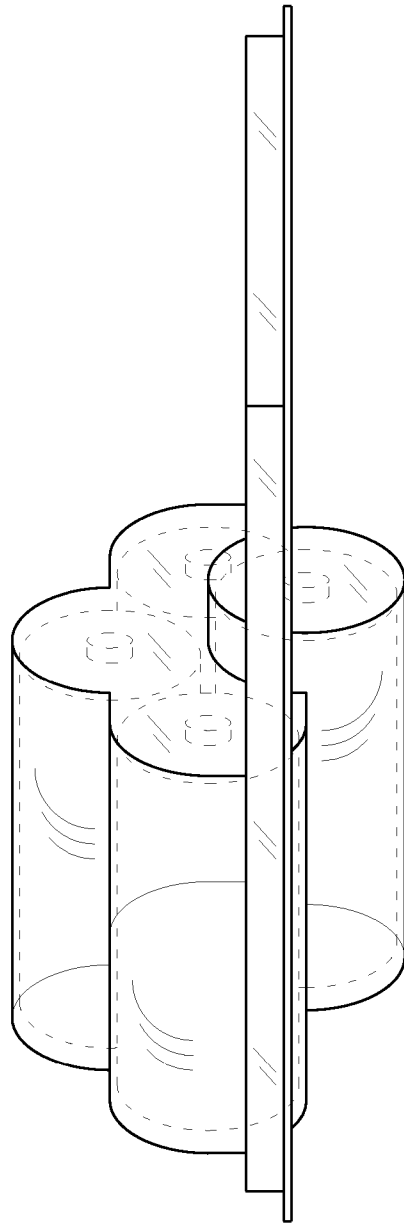


FIG. 20