



US0D1016226S

(12) **United States Design Patent**
Tsai

(10) **Patent No.:** **US D1,016,226 S**

(45) **Date of Patent:** **** Feb. 27, 2024**

(54) **FAUCET**

(71) Applicant: **GLOBE UNION INDUSTRIAL CORP.**, Taichung (TW)

(72) Inventor: **Tun-Yao Tsai**, Taichung (TW)

(73) Assignee: **GLOBE UNION INDUSTRIAL CORP.**, Taichung (TW)

(**) Term: **15 Years**

(21) Appl. No.: **29/830,253**

(22) Filed: **Mar. 11, 2022**

(51) **LOC (14) Cl.** **23-01**

(52) **U.S. Cl.**
USPC **D23/238**

(58) **Field of Classification Search**
USPC D23/238–244, 252, 254–255, 257, 499;
D8/300, 307–308; D7/398
CPC F16K 31/602; F16K 31/605; F16K 31/607;
E03C 1/0412
See application file for complete search history.

(56) **References Cited**

U.S. PATENT DOCUMENTS

D534,621 S *	1/2007	Chu	D23/238
D534,622 S *	1/2007	Chu	D23/238
D674,882 S *	1/2013	Kwok	D23/252
D691,708 S *	10/2013	Georgeson	D23/255
D705,398 S *	5/2014	Flowers	D23/238
D714,916 S *	10/2014	Flowers	D23/255
D873,960 S *	1/2020	Fritz	D23/238
D923,146 S *	6/2021	Yang	D23/238
D930,118 S *	9/2021	Elser	D23/238
D930,792 S *	9/2021	Fritz	D23/238
D930,793 S *	9/2021	Kim	D23/238
D931,418 S *	9/2021	Para	D23/238
D936,793 S *	11/2021	Stoler	D23/238
D940,278 S *	1/2022	Stoler	D23/238
D954,184 S *	6/2022	Eads	D23/238

D970,695 S *	11/2022	Lin	D23/238
D985,727 S *	5/2023	Lazarini	D23/238
D985,729 S *	5/2023	Upadhyaya	D23/238
D986,382 S *	5/2023	Garland	D23/238
D989,237 S *	6/2023	Liu	D23/238

(Continued)

FOREIGN PATENT DOCUMENTS

CA	181829	*	12/2017
CA	183090	*	8/2019

OTHER PUBLICATIONS

Moen Brantford Motionsense Wave Touchless One-Handle Pulldown Kitchen Faucet, announced Dec. 1, 2018[online], [site visited Sep. 1, 2023]. Available from internet, URL :<<https://www.amazon.com/Moen-Brantford-Motionsense-One-Handle-7185EWC/dp/B07MHJX584>> (Year: 2018).*

(Continued)

Primary Examiner — David G Muller

Assistant Examiner — Jamaal Rasheed

(74) *Attorney, Agent, or Firm* — Leong C. Lei

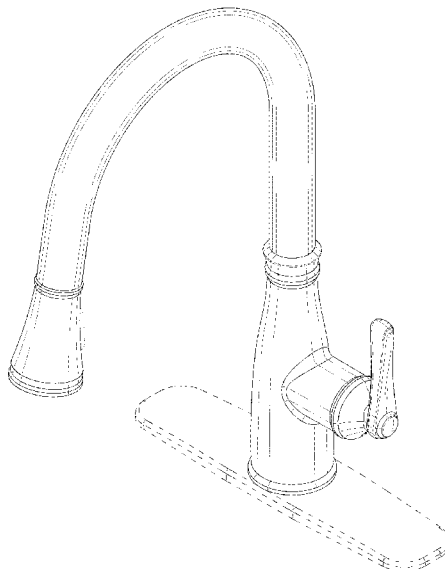
(57) **CLAIM**

The ornamental design for a faucet, as shown and described.

DESCRIPTION

FIG. 1 is a front perspective view of a faucet showing my new design;
FIG. 2 is a front elevational view thereof;
FIG. 3 is a rear elevational view thereof;
FIG. 4 is a left elevational view thereof;
FIG. 5 is a right elevational view thereof;
FIG. 6 is a top plan view thereof; and,
FIG. 7 is a bottom plan view thereof.
The portions shown in broken lines form no part of the claimed design.

1 Claim, 7 Drawing Sheets



(56)

References Cited

U.S. PATENT DOCUMENTS

D995,720 S * 8/2023 Qian D23/238
D997,303 S * 8/2023 Liu D23/238

OTHER PUBLICATIONS

Kohler Bellera Pull Down Kitchen Faucet, first available May 21, 2011[online], [site visited Sep. 1, 2023]. Available from internet, URL: <<https://www.amazon.com/dp/B0053XPRIE?tag=merchdope1-20>> (Year: 2011).*

* cited by examiner

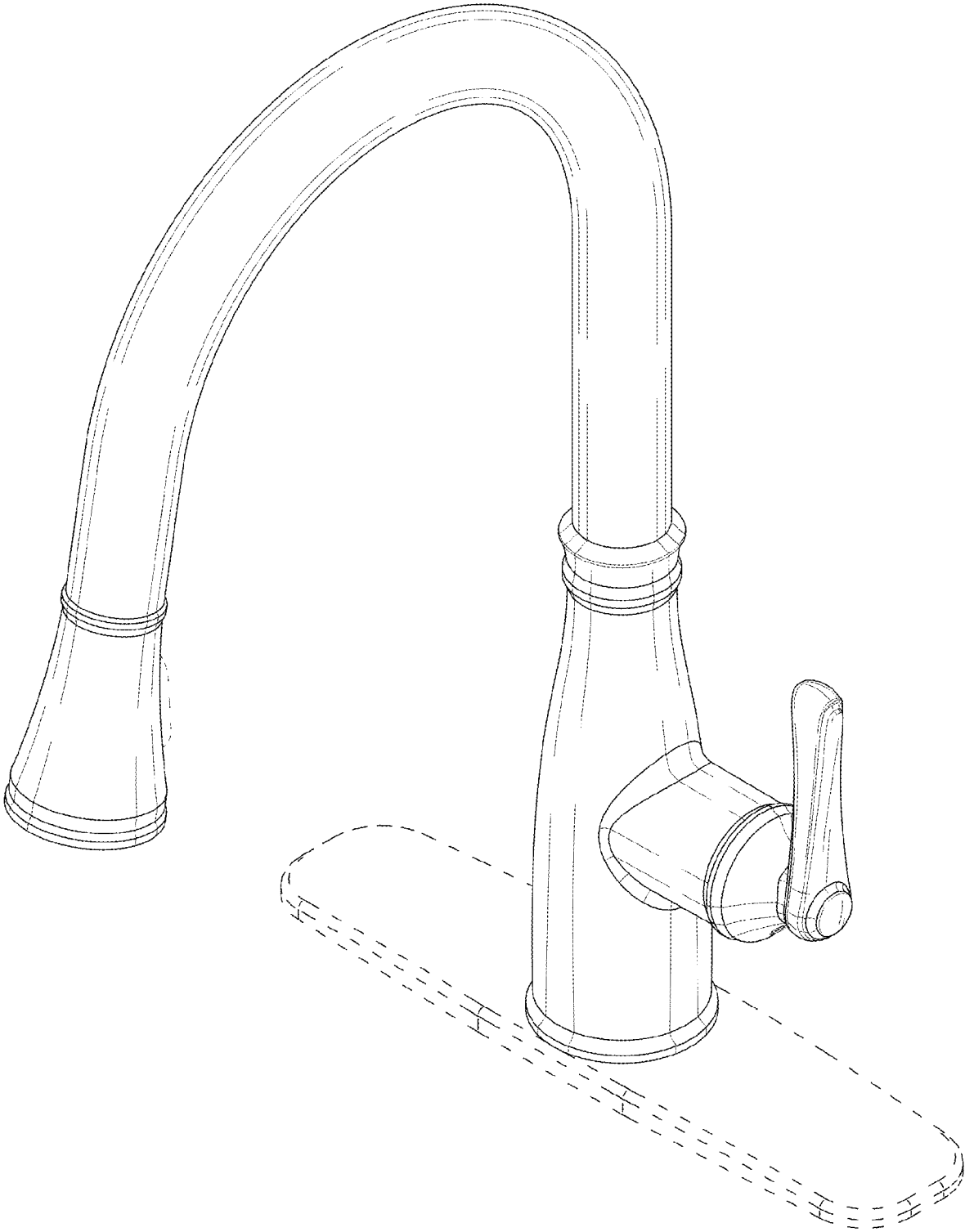


FIG. 1

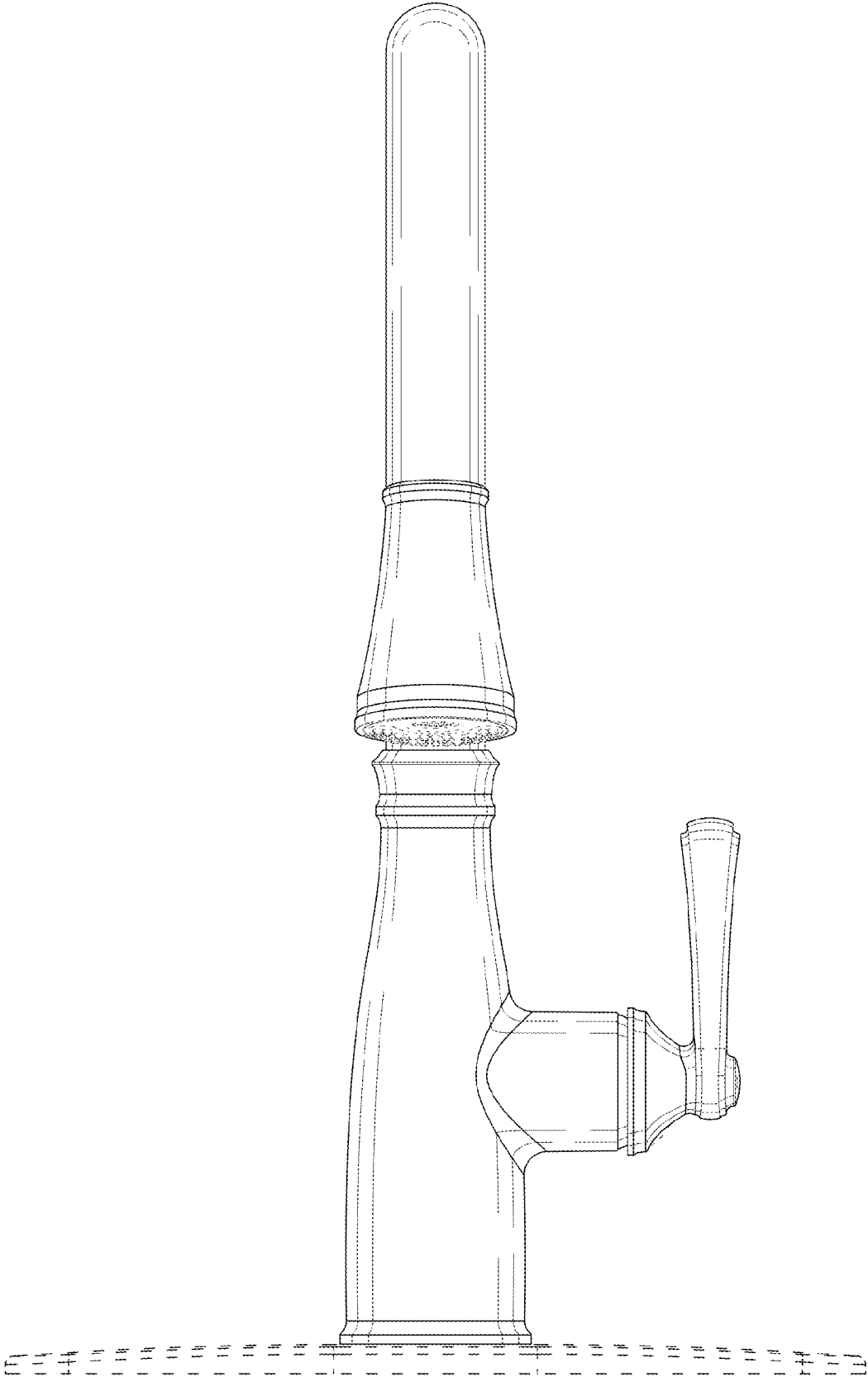


FIG. 2

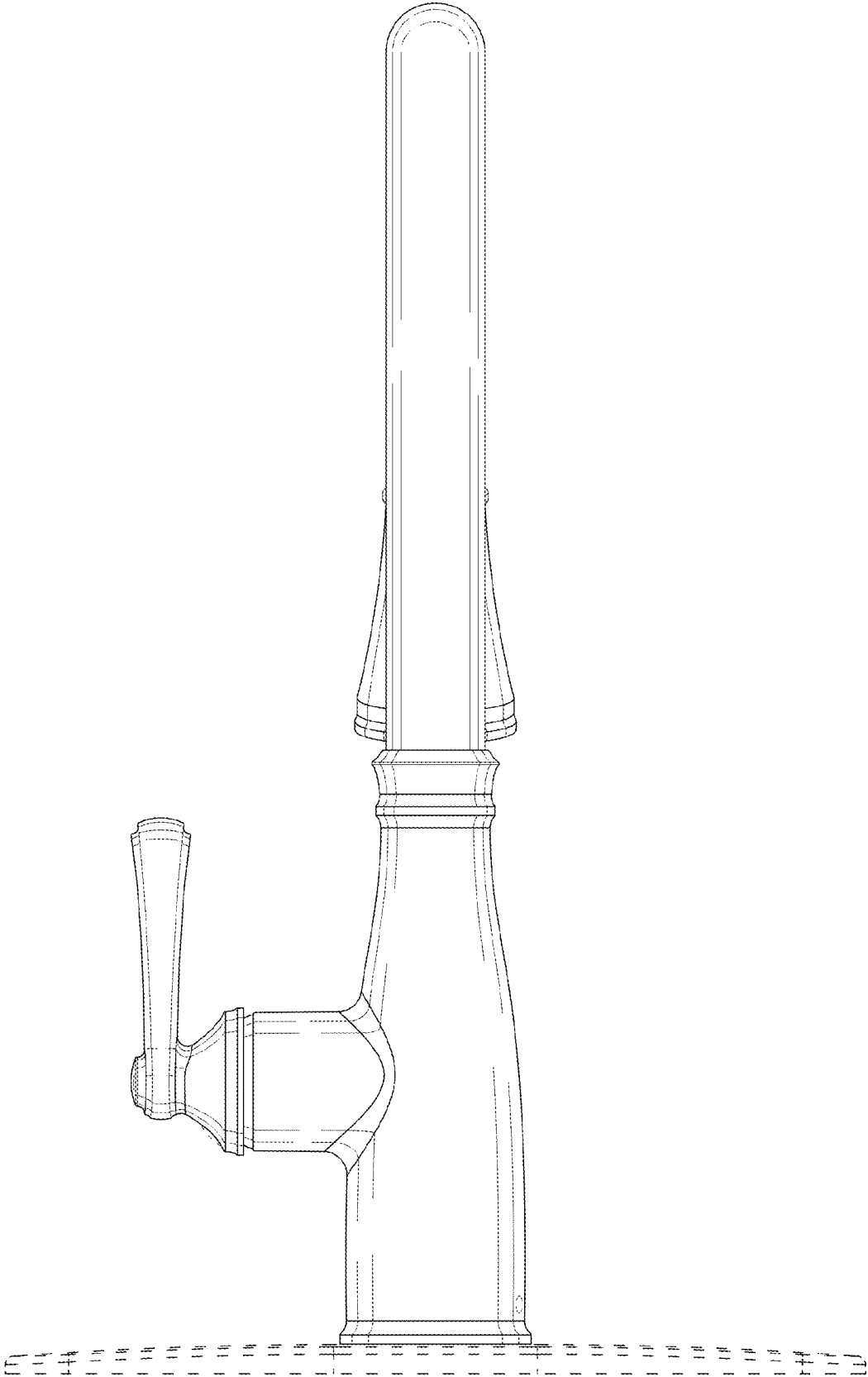


FIG. 3

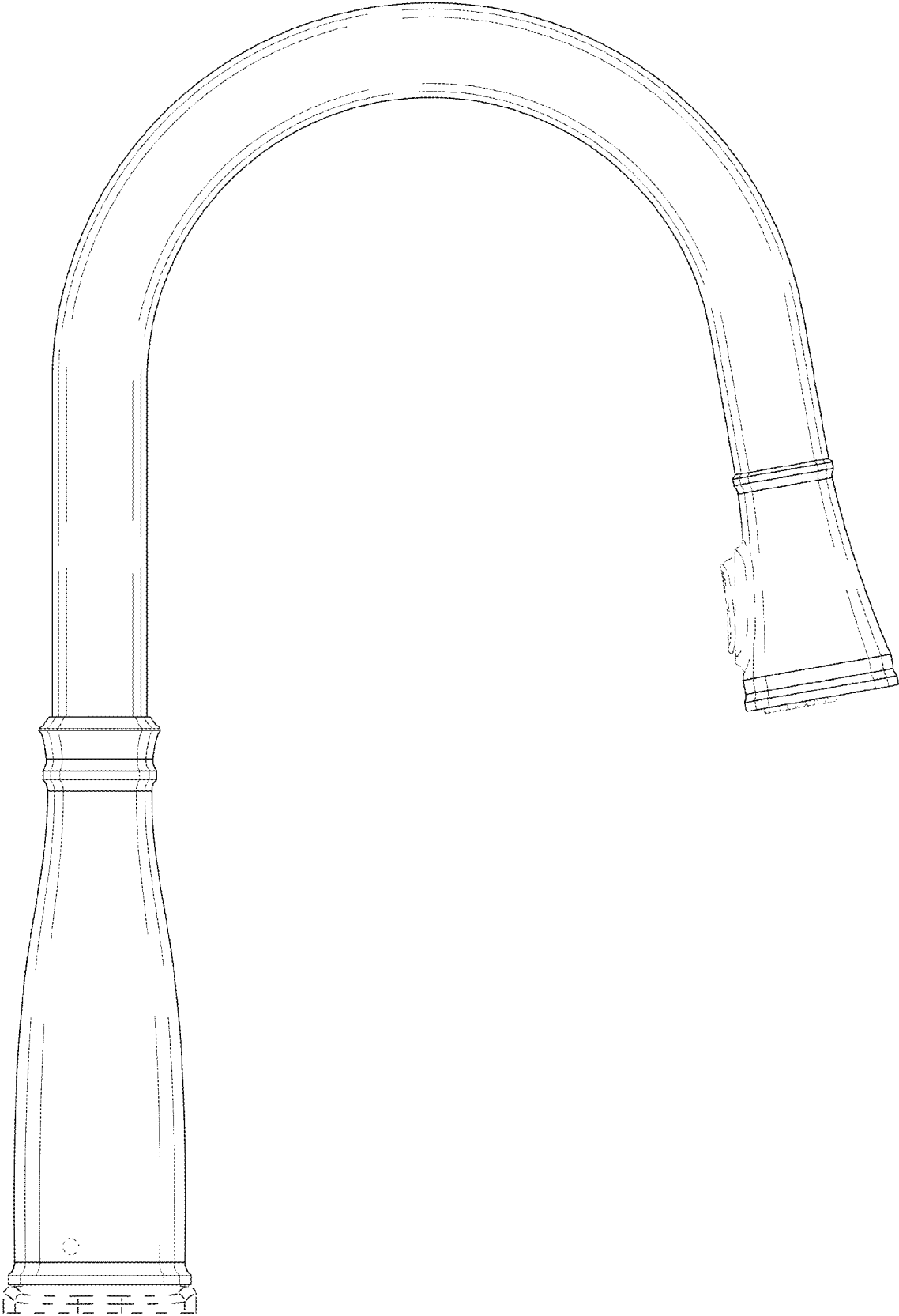


FIG. 4

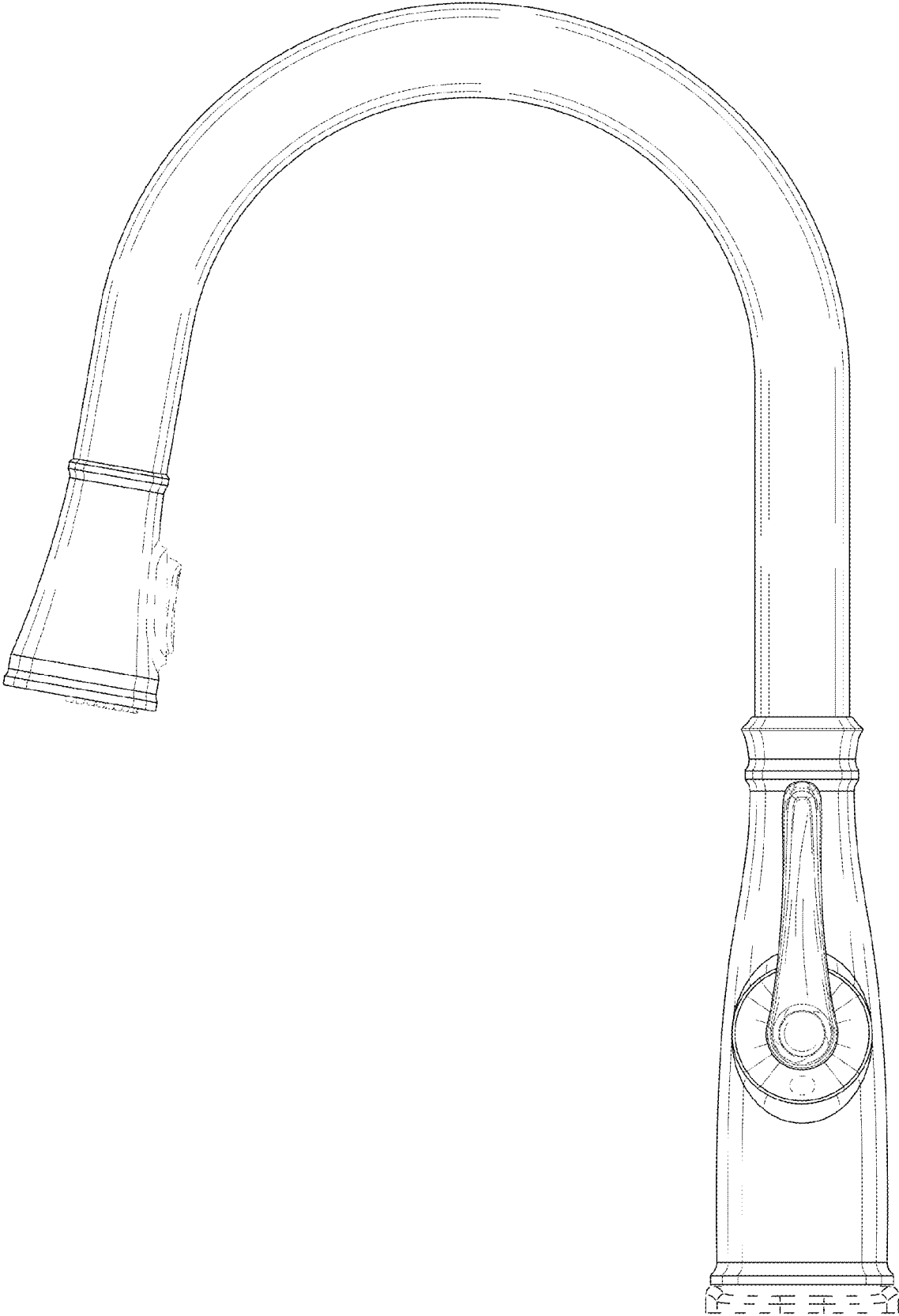
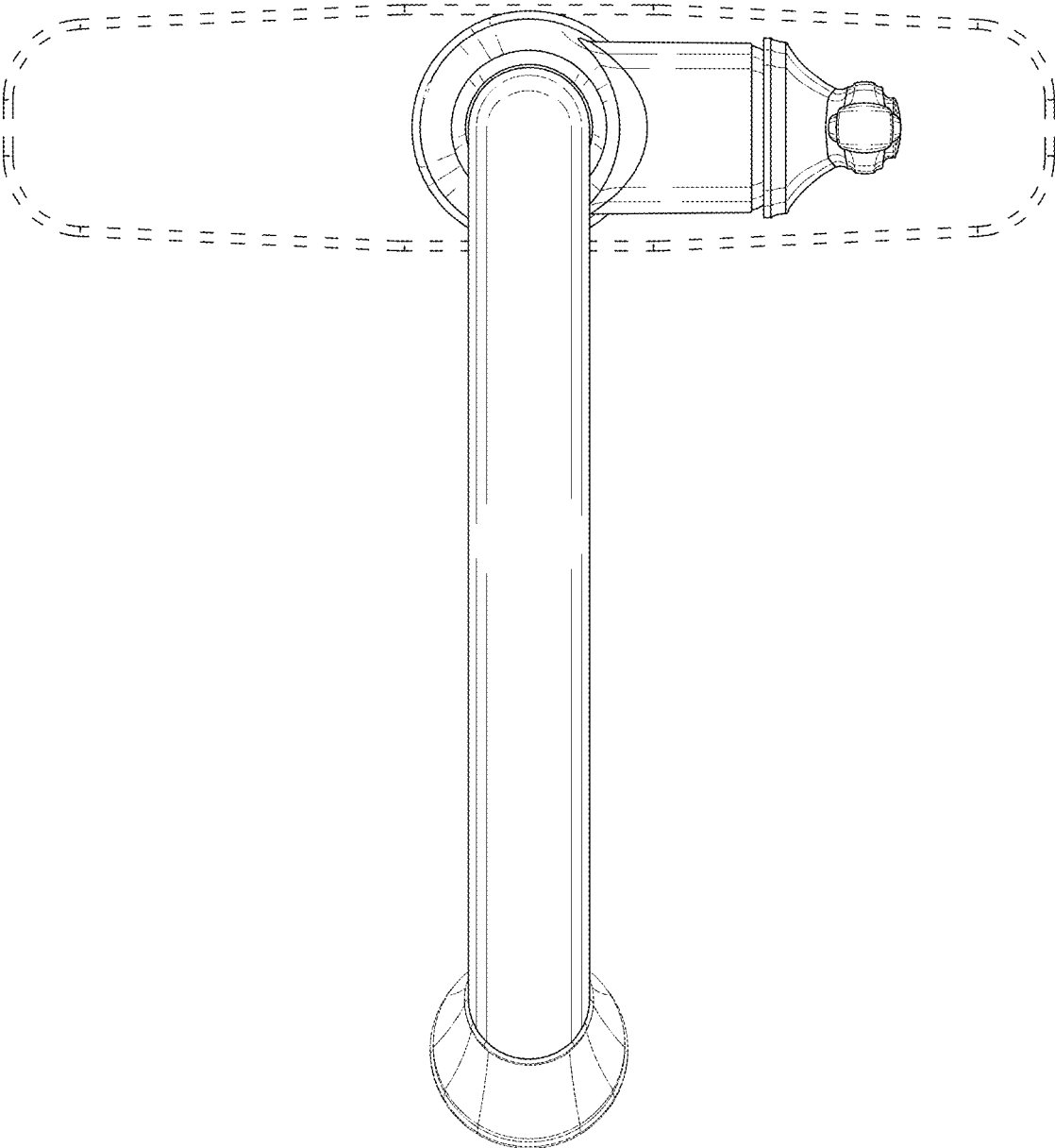
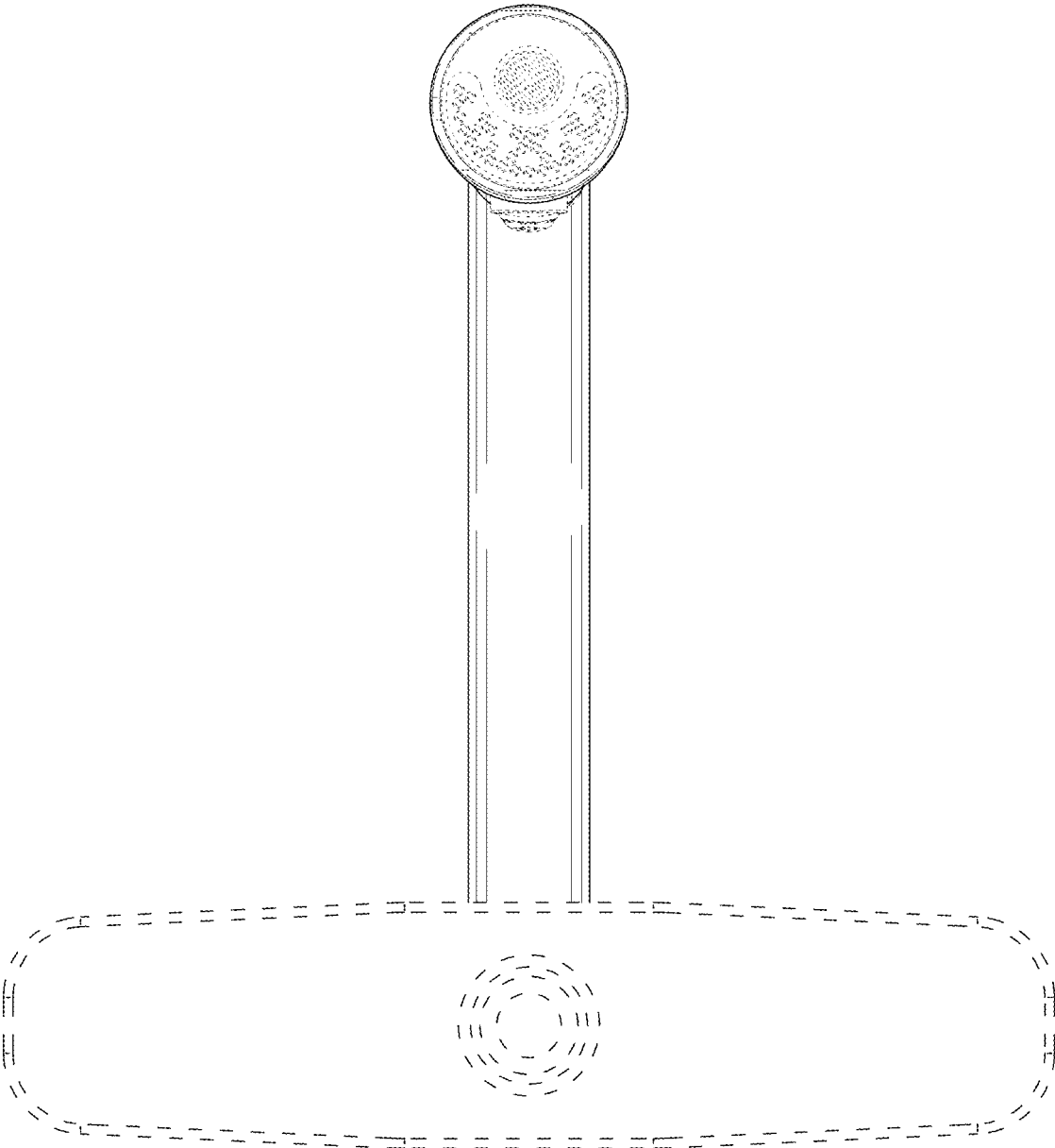


FIG. 5



F I G. 6



F I G . 7