



(12) **United States Design Patent**
Ive et al.

(10) **Patent No.:** **US D860,287 S**
(45) **Date of Patent:** **** Sep. 17, 2019**

- (54) **CAMERA**
- (71) Applicants: **Jonathan P. Ive**, Cupertino, CA (US);
Marc A. Newson, London (GB)
- (72) Inventors: **Jonathan P. Ive**, San Francisco, CA (US); **Marc A. Newson**, London (GB)
- (**) Term: **15 Years**
- (21) Appl. No.: **29/664,331**
- (22) Filed: **Sep. 24, 2018**

D479,547 S	9/2003	Nagayama	
D524,344 S *	7/2006	Imai	D16/202
D525,639 S	7/2006	Nakamura	
D532,028 S *	11/2006	Sakai	D16/202
D537,093 S	2/2007	Nakamura	
D537,460 S	2/2007	Nakamura et al.	
D547,343 S *	7/2007	Sato	D16/202
D550,736 S	9/2007	Sakai	
D555,688 S	11/2007	Yoo et al.	
D556,802 S	12/2007	Katayama	
D559,292 S	1/2008	Imai	
D560,236 S	1/2008	Yoshida	

(Continued)

Related U.S. Application Data

- (63) Continuation of application No. 29/533,637, filed on Jul. 20, 2015, now Pat. No. Des. 829,258, which is a continuation of application No. 29/469,267, filed on Oct. 8, 2013, now Pat. No. Des. 734,800.
- (51) **LOC (12) Cl.** **16-01**
- (52) **U.S. Cl.**
USPC **D16/202**
- (58) **Field of Classification Search**
USPC D16/200, 202-206, 208-209, 218, 219,
D16/242; 348/373-376; 396/535,
396/539-541
CPC G03B 15/03; G03B 17/02; G03B 17/04;
G03B 17/56; G03B 19/04; H04N 5/2251;
H04N 5/2252; H04N 5/2253; H04N
5/2254; H04N 2101/00
See application file for complete search history.

References Cited

U.S. PATENT DOCUMENTS

D359,299 S	6/1995	Moro et al.	
D383,146 S	9/1997	Hashimoto et al.	
D383,147 S	9/1997	Moro et al.	
5,950,028 A	9/1999	Ito	
D463,471 S *	9/2002	Tanaka	D16/209
D469,456 S	1/2003	Nakamura et al.	
D473,576 S	4/2003	Watanabe	

OTHER PUBLICATIONS

Leica Camera AG, "Leica M Monochrom," accessed at http://us.leica-camera.com/photography/m_system/m_monochrom/, accessed on Apr. 10, 2014, 2 pages.

(Continued)

Primary Examiner — Ramzi S Almatrahi
(74) *Attorney, Agent, or Firm* — Sterne, Kessler,
Goldstein & Fox P.L.L.C.

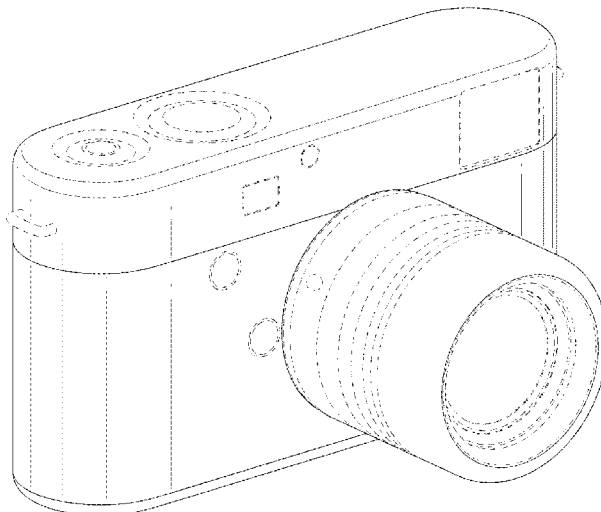
(57) **CLAIM**

The ornamental design for a camera, as shown and described.

DESCRIPTION

FIG. 1 is a top front perspective view of a camera showing the claimed design;
FIG. 2 is a front view thereof;
FIG. 3 is a rear view thereof;
FIG. 4 is a left side view thereof;
FIG. 5 is a right side view thereof;
FIG. 6 is a top view thereof; and,
FIG. 7 is a bottom view thereof.
The broken lines in the figures show portions of the camera that form no part of the claimed design.

1 Claim, 7 Drawing Sheets



(56)

References Cited

U.S. PATENT DOCUMENTS

D560,237	S	1/2008	Yoshida	
D561,218	S	2/2008	Kim	
D576,650	S	9/2008	Shibata et al.	
D582,954	S *	12/2008	Imai	D16/202
7,524,118	B2	4/2009	Maeda	
D596,217	S	7/2009	Kim et al.	
D597,576	S	8/2009	Kim et al.	
D597,578	S	8/2009	Kim et al.	
D603,886	S	11/2009	Sakai	
D613,324	S *	4/2010	Sato	D16/202
D692,044	S	10/2013	Uemachi et al.	
D695,328	S *	12/2013	Sul	D16/202
D697,959	S	1/2014	Imai	
D698,848	S	2/2014	Uemachi et al.	
D702,748	S	4/2014	Muraki et al.	
D721,751	S	1/2015	Fujita	
D726,238	S	4/2015	Izumi et al.	
D727,386	S *	4/2015	Kobayashi	D16/202
D729,297	S	5/2015	Ikegame	
D732,595	S	6/2015	Ive et al.	
D734,800	S	7/2015	Ive et al.	
D742,951	S *	11/2015	Yanagisawa	D16/202
D745,075	S	12/2015	Ive et al.	
D755,874	S *	5/2016	Yang	D16/202
D755,877	S	5/2016	Uemachi et al.	
D777,232	S *	1/2017	Lillquist	D16/202
D793,463	S *	8/2017	Houin	D16/202
2007/0212062	A1	9/2007	Saiki et al.	
2011/0181771	A1 *	7/2011	Hazama	G03B 15/05 348/371

OTHER PUBLICATIONS

Leica Camera AG, "Leica M," accessed at http://us.leica-camera.com/photography/m_system/m_new/, accessed on Apr. 10, 2014, 3 pages.

Leica Camera AG, "Leica M7," accessed at http://us.leica-camera.com/photography/m_system/m7/, accessed on Apr. 10, 2014, 2 pages.

Leica Camera AG, "The Leica M9 and M9-P," accessed at http://us.leica-camera.com/photography/m_system/m9/, accessed on Apr. 10, 2014, 2 pages.

Leica Camera AG, "Leica M9-P 'Edition Hermes,'" accessed at http://us.leica-camera.com/photography/special_editions/m9_edition_hermes/, accessed on Apr. 10, 2014, 2 pages.

Leica Camera AG, "Leica M-E," accessed at http://us.leica-camera.com/photography/m_system/m-e/, accessed on Apr. 10, 2014, 2 pages.

Leica Camera AG, "Leica MP," accessed at http://us.leica-camera.com/photography/m_system/mp/, accessed on Apr. 10, 2014, 1 page.

Leica Camera AG, "X a la carte," accessed at http://us.leica-camera.com/photography/compact_cameras_x_a_la_carte/, accessed on Apr. 10, 2014, 2 pages.

Leica Camera AG, "Leica X2 Edition Paul Smith," accessed at http://us.leica-camera.com/compact_cameras_x2_edition_paul_smith/, accessed on Apr. 10, 2014, 2 pages.

Leica Camera AG, "Leica X2," accessed at http://us.leica-camera.com/photography/compact_cameras/x2/, accessed on Apr. 10, 2014, 2 pages.

Crisp, Simon, "Leica reveals the Leica M and the stripped back M-E," accessed at <http://www.gizmag.com/leica-m-and-m-e/24247/>, dated Sep. 23, 2012, 6 pages.

* cited by examiner

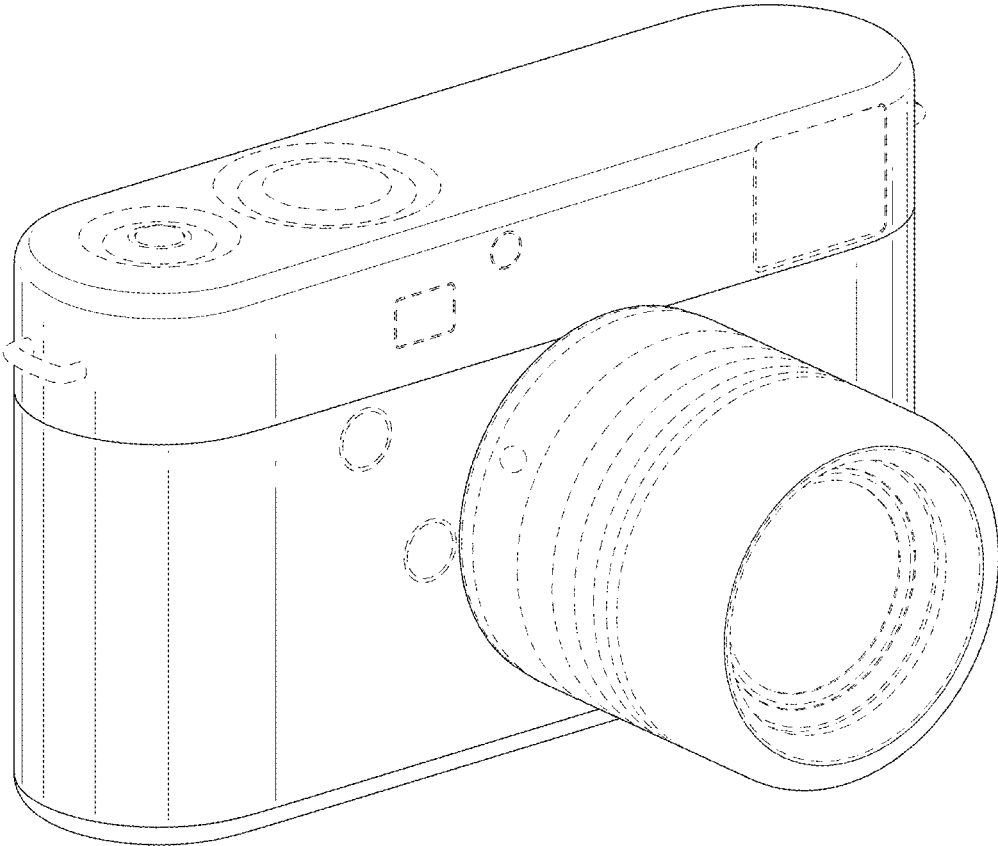


FIG. 1

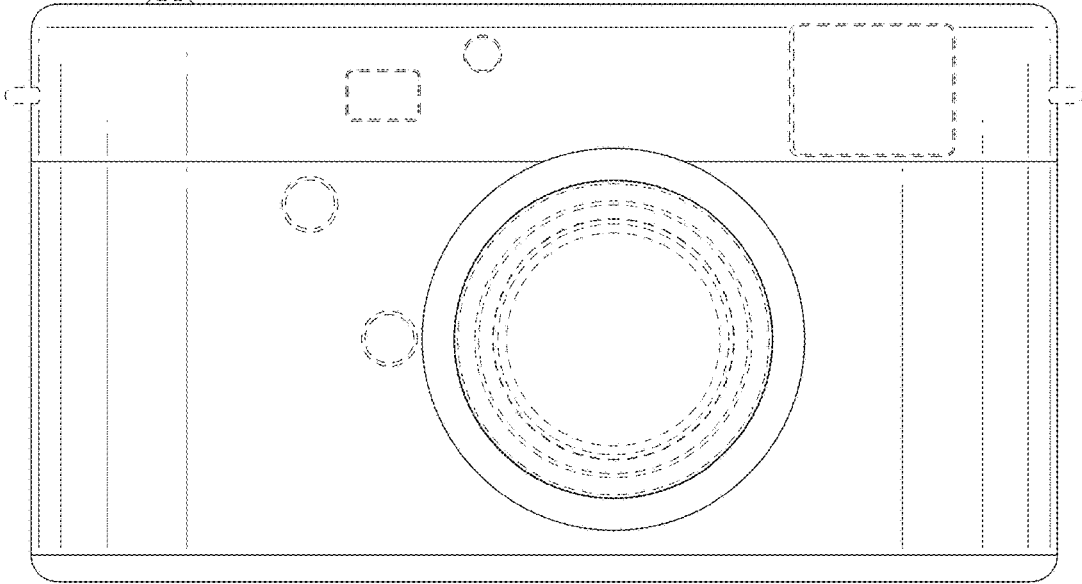


FIG. 2

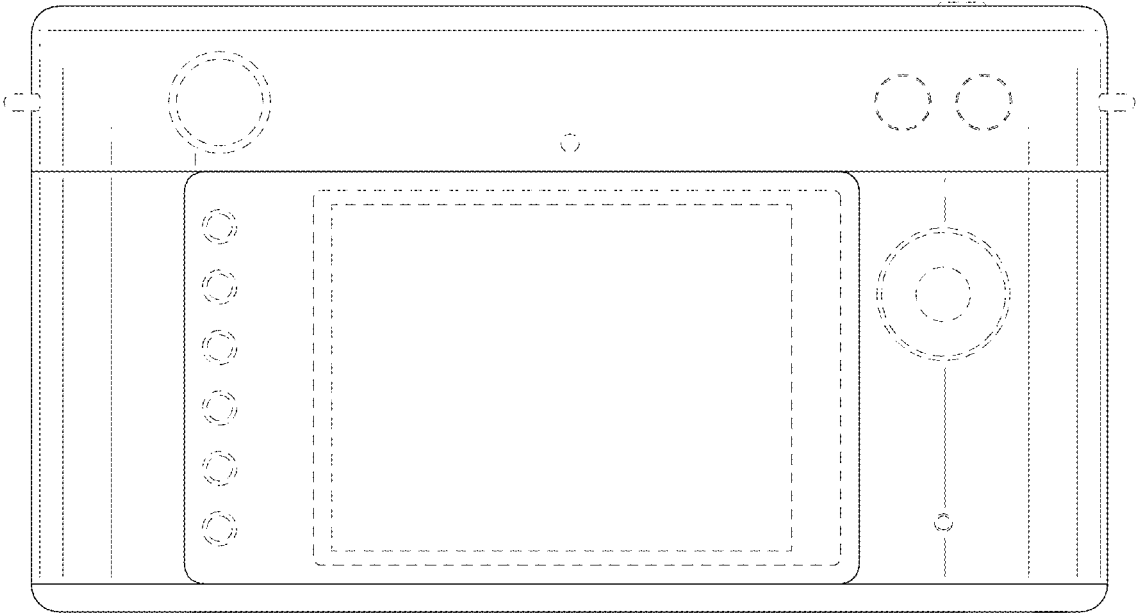


FIG. 3

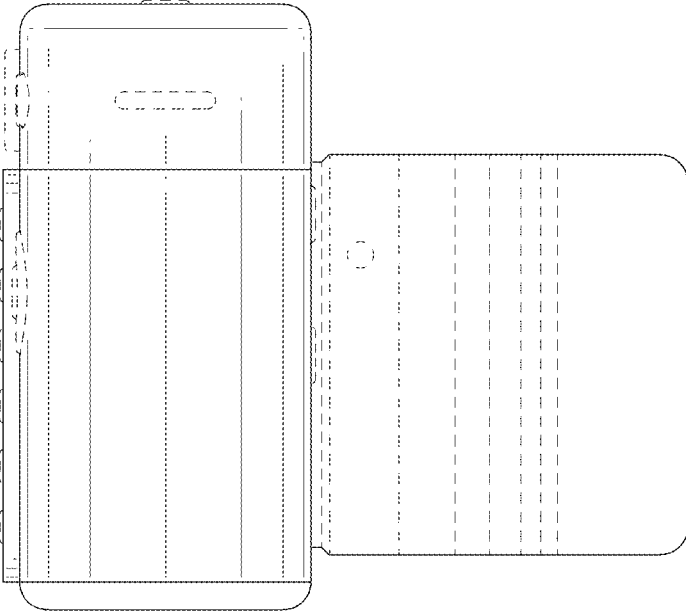


FIG. 4

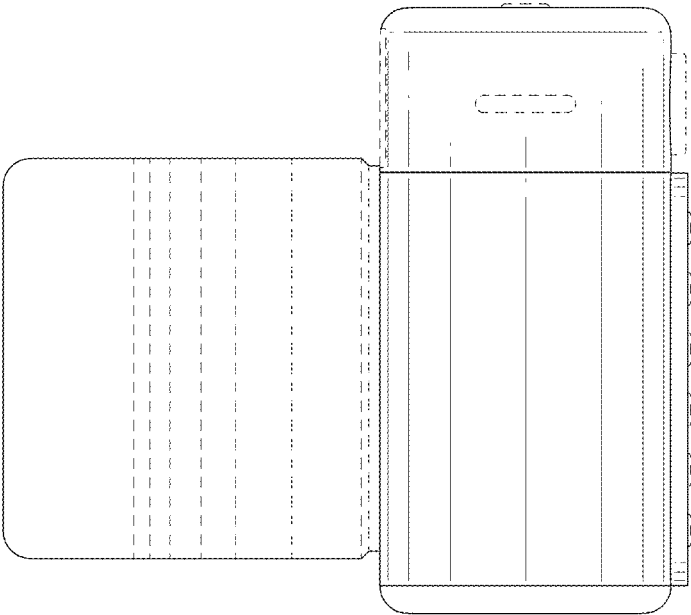


FIG. 5

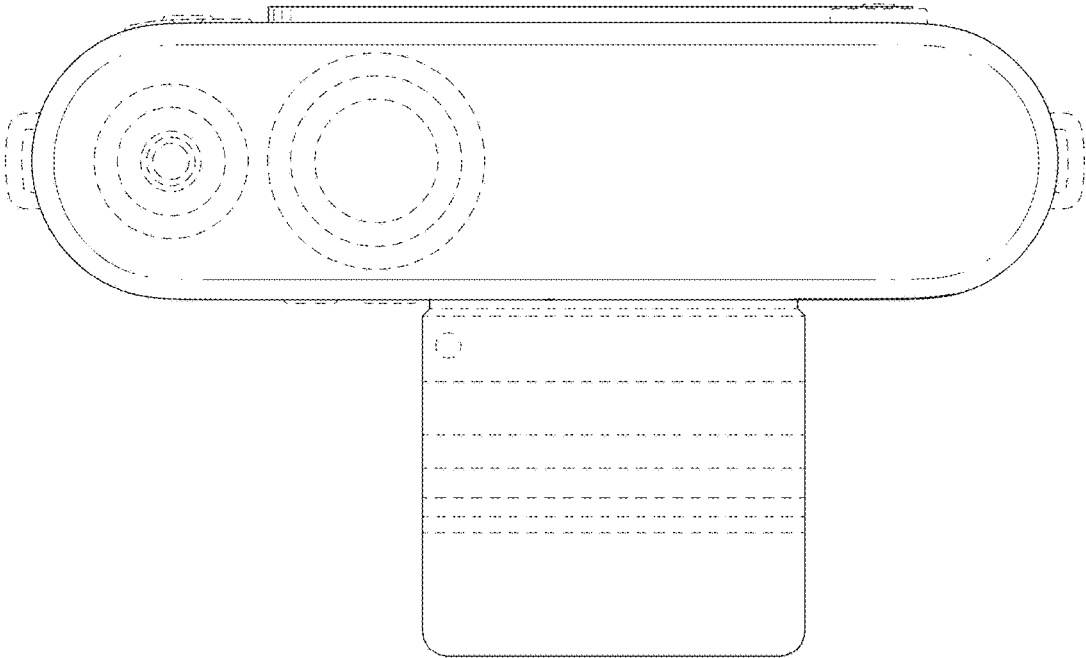


FIG. 6

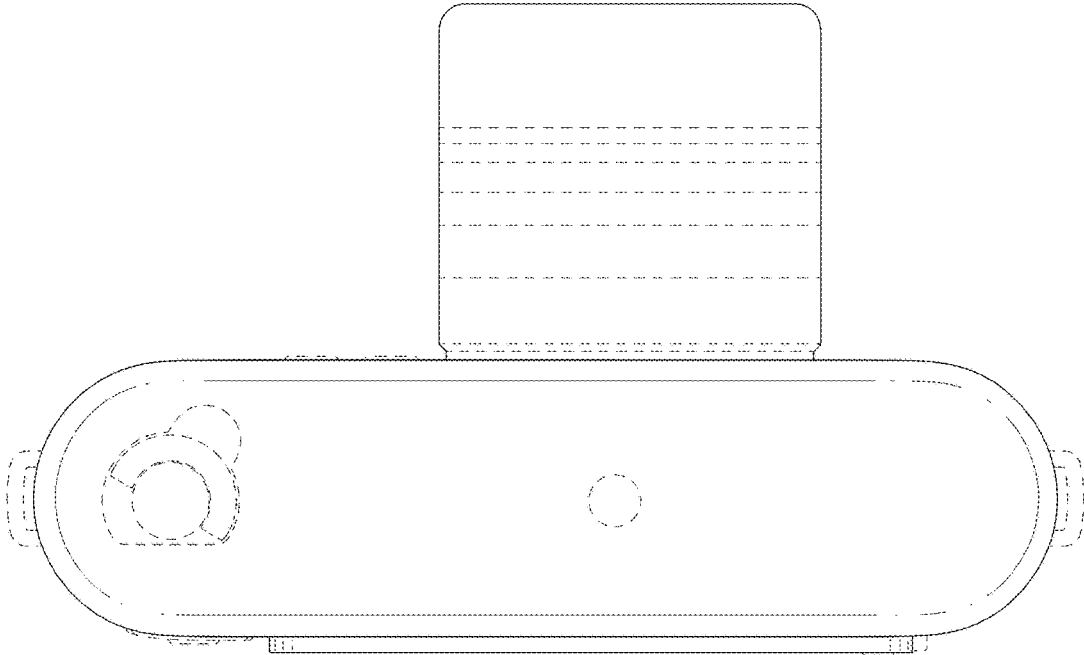


FIG. 7