

US00D386363S

# United States Patent [19] Dardashti

[11] Patent Number: Des. 386,363  
[45] Date of Patent: \*\*Nov. 18, 1997

[54] WINE BOTTLE RACK

[76] Inventor: **Shahriar Dardashti**, c/o Atlantic Representations, Inc., Post Office Box 2399, Santa Fe Springs, Calif. 90670

[\*\*] Term: **14 Years**

[21] Appl. No.: **59,737**

[22] Filed: **Sep. 9, 1996**

### Related U.S. Application Data

[63] Continuation of Ser. No. 51,233, Mar. 6, 1996, abandoned.

[51] LOC (6) CL ..... **07-06**

[52] U.S. CL ..... **D7/704; D6/458**

[58] Field of Search ..... D7/701, 704; D6/458, D6/462-465; 211/71, 74, 181; 248/311.2, 311.3

### [56] References Cited

#### U.S. PATENT DOCUMENTS

D. 216,690	3/1970	Robak	.....	D7/704
D. 260,463	9/1981	Imos	.	
1,751,505	3/1930	Borland, Jr.	.....	D6/458 X
2,527,796	10/1950	Clute	.	
2,591,362	4/1952	Koch	.	
3,003,644	10/1961	Hildebrand	.....	D7/704 X
3,160,278	12/1964	Varkala	.	

3,606,023	9/1971	Edmonds	.	
3,901,389	8/1975	Belokin, Jr.	.	
4,589,556	5/1986	Peretz	.	
4,679,695	7/1987	Leff	.....	211/71
4,998,631	3/1991	Fridjhon	.	
5,025,936	6/1991	Lamoureaux	.	
5,215,199	6/1993	Bejarano	.	
5,236,094	8/1993	Condie	.	

### OTHER PUBLICATIONS

Prior Art FIG. undated, Wine Rack. "House Beautiful," Sep. 1973, p. 155.

Primary Examiner—Terry A. Wallace  
Attorney, Agent, or Firm—Oppenheimer Poms Smith

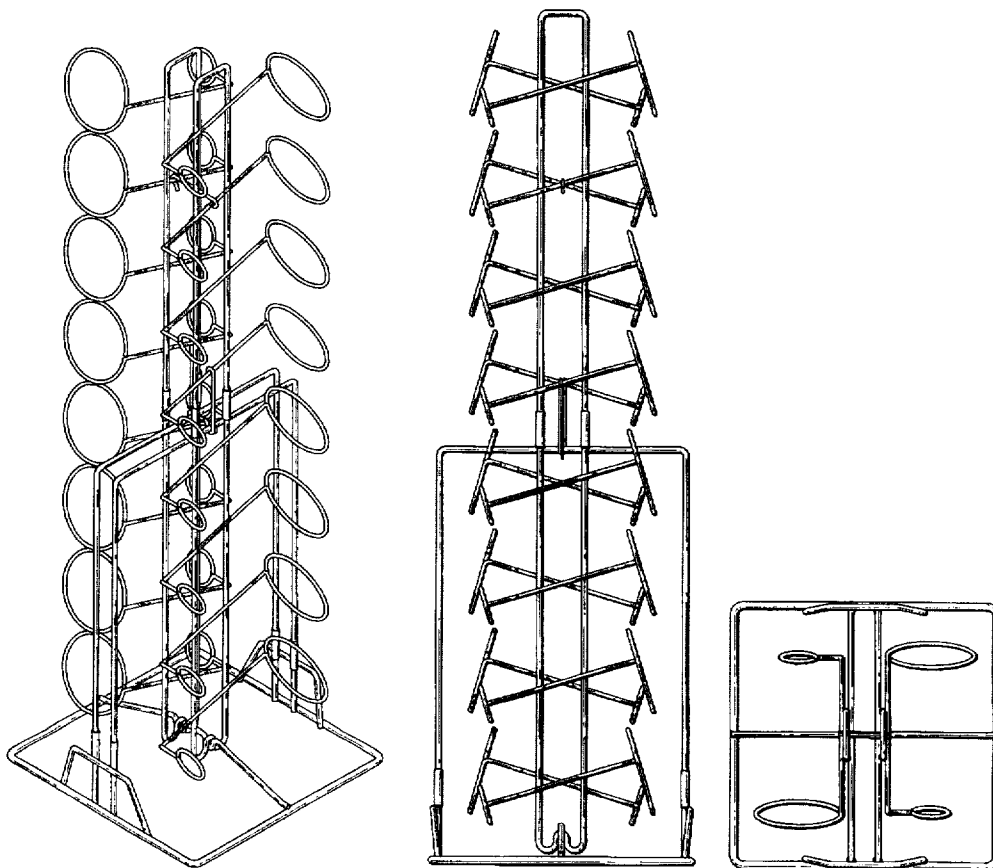
### [57] CLAIM

The ornamental design for a wine bottle rack, as shown and described.

### DESCRIPTION

FIG. 1 is a perspective view of a wine bottle rack showing my new design; FIG. 2 is a right side elevational view thereof; the left side elevational view being a mirror image thereof; FIG. 3 is a top plan view thereof; FIG. 4 is a front elevational view thereof; the rear elevational view being a mirror image thereof; and, FIG. 5 is a bottom plan view thereof.

1 Claim, 3 Drawing Sheets



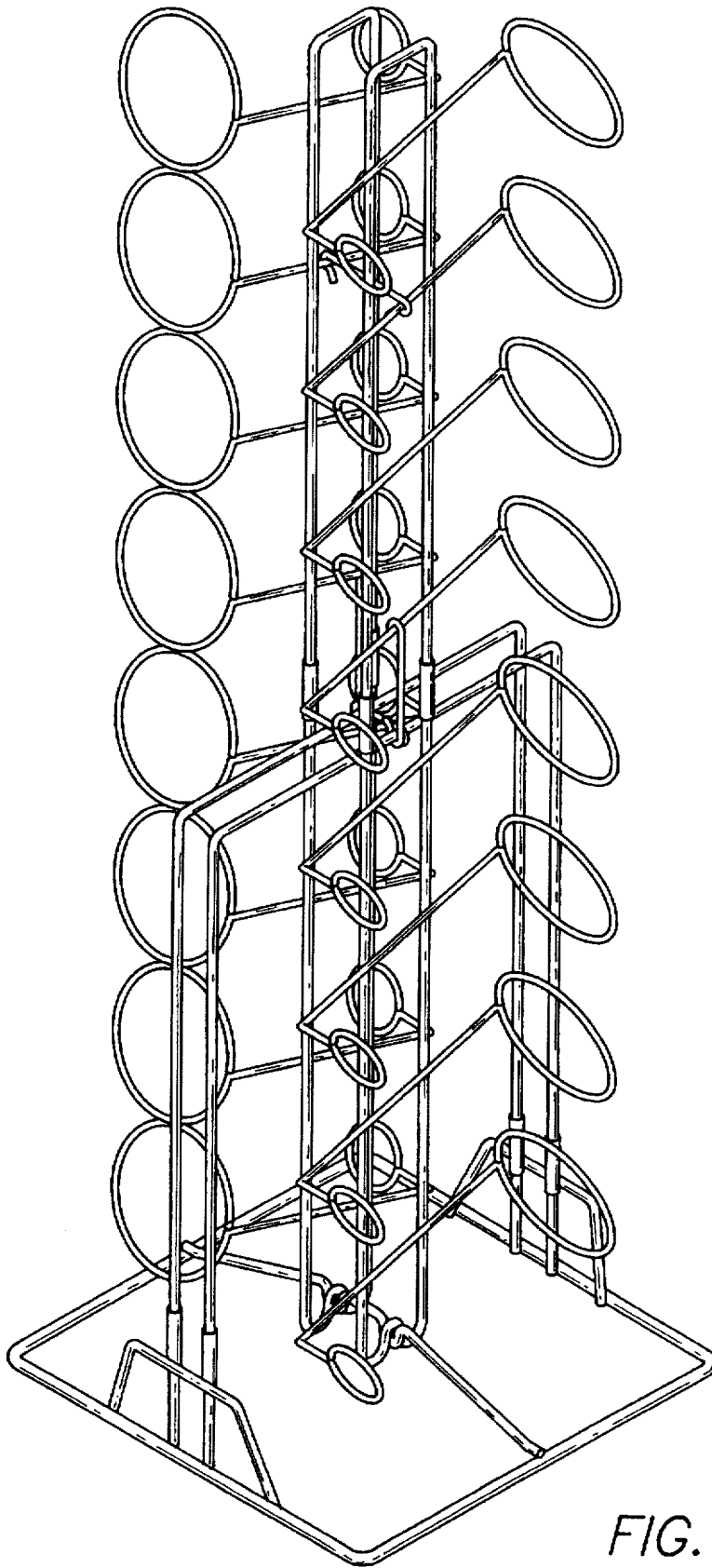


FIG. 1

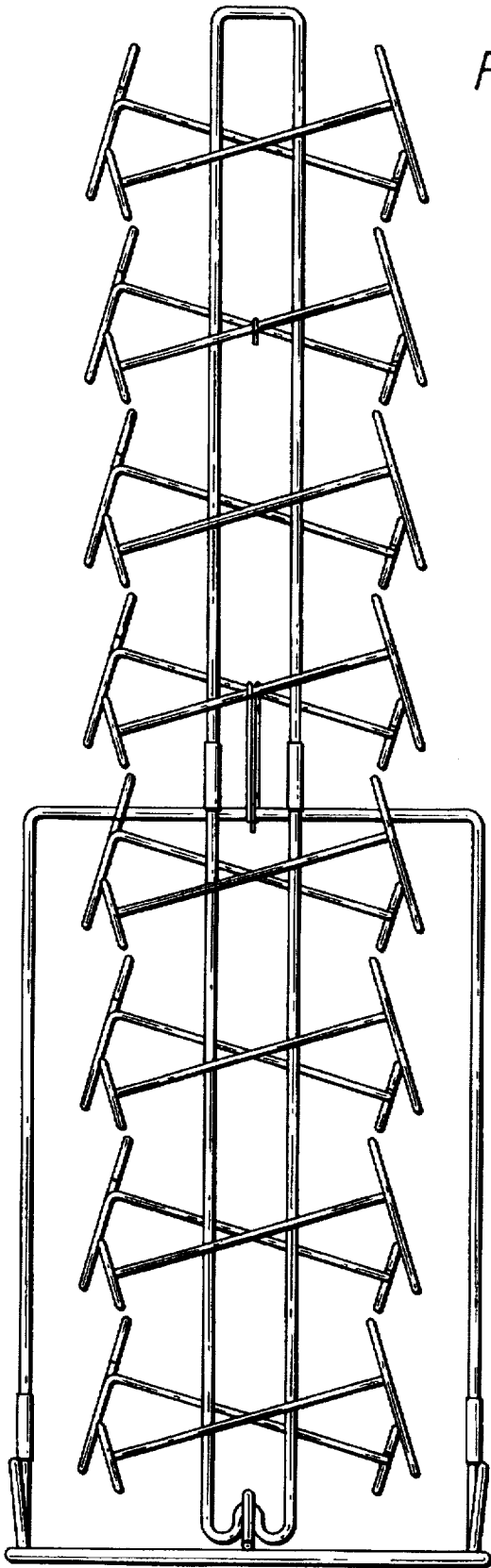


FIG. 2

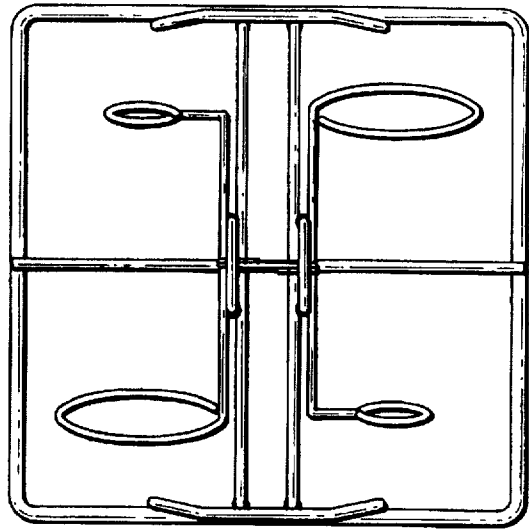


FIG. 3

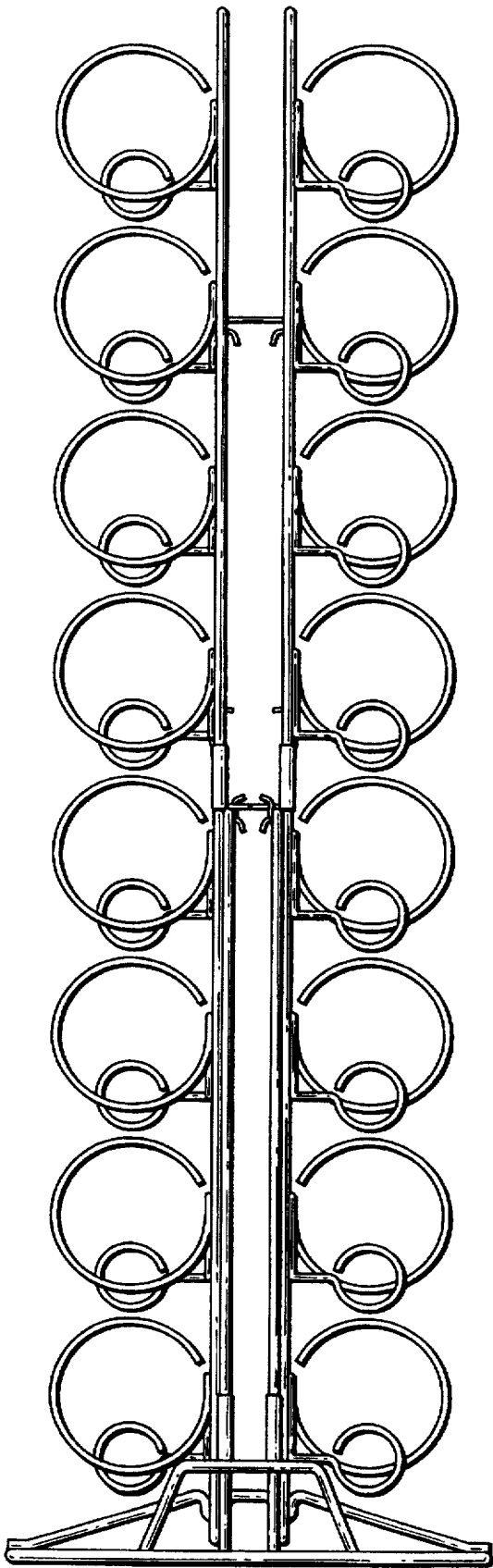


FIG. 4

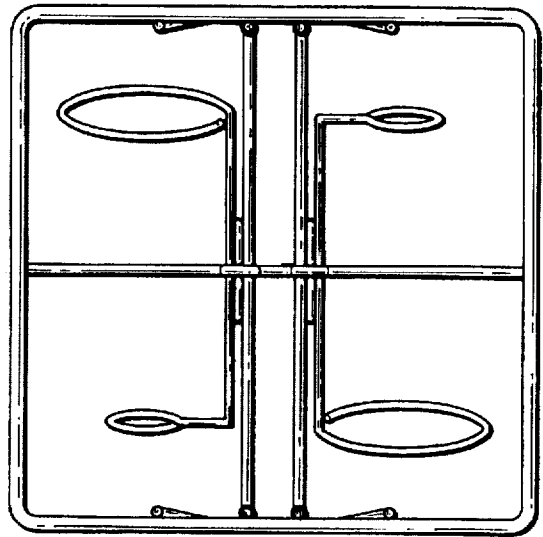


FIG. 5