



US00D740968S

(12) **United States Design Patent**
Stanfill

(10) **Patent No.:** **US D740,968 S**

(45) **Date of Patent:** **** Oct. 13, 2015**

(54) **SIDING TRIM PIECE**

(71) Applicant: **Rustique Enterprises, Inc.**, O'Fallon,
MO (US)

(72) Inventor: **Heath Stanfill**, Foristell, MO (US)

(73) Assignee: **Rustique Enterprises, Inc.**, O'Fallon,
MO (US)

(**) Term: **14 Years**

(21) Appl. No.: **29/508,312**

(22) Filed: **Nov. 5, 2014**

Related U.S. Application Data

(62) Division of application No. 29/449,429, filed on Mar.
15, 2013, now Pat. No. Des. 724,239.

(51) **LOC (10) Cl.** **25-01**

(52) **U.S. Cl.**
USPC **D25/119**

(58) **Field of Classification Search**

USPC D25/119, 136, 55, 141; 52/62, 169.5,
52/281, 282.1, 287.1, 288.1, 716.2, 716.8,
52/717.01, 371, 254, 255, 459, 461, 465,
52/471, 472, 555, 556, 560, 96
See application file for complete search history.

(56) **References Cited**

U.S. PATENT DOCUMENTS

3,831,334 A 8/1974 Rutkowski et al.
D248,327 S 6/1978 South
4,189,885 A 2/1980 Fritz
5,016,415 A 5/1991 Kellis

5,090,174 A 2/1992 Fragale
6,505,448 B2 1/2003 Ito
D649,263 S 11/2011 Brabeck et al.
8,104,234 B1 1/2012 Sawyer
D693,483 S * 11/2013 Krieger D25/119
2002/0029537 A1 3/2002 Manning et al.
2006/0075712 A1 4/2006 Gilbert et al.
2006/0272257 A1 12/2006 Hobbie
2007/0119107 A1 5/2007 Shaw et al.
2007/0193177 A1 8/2007 Wilson et al.

* cited by examiner

Primary Examiner — Doris Clark

(74) *Attorney, Agent, or Firm* — Thompson Coburn LLP

(57) **CLAIM**

The ornamental design for a siding trim piece, as shown and described.

DESCRIPTION

FIG. 1 is a perspective view of a trim piece showing my new sign;
FIG. 2 is a bottom rear perspective view of the trim piece of FIG. 1;
FIG. 3 is a bottom front perspective view of the trim piece of FIG. 1;
FIG. 4 is a top front perspective view of the trim piece of FIG. 1;
FIG. 5 is a front view of the trim piece of FIG. 1;
FIG. 6 is a back view of the trim piece of FIG. 1;
FIG. 7 is a top view of the trim piece FIG. 1;
FIG. 8 is a left view of the trim piece;
FIG. 9 is a right view of the trim piece; and,
FIG. 10 is a bottom view of the trim piece of FIG. 1.
The claimed design is broken in the center to indicate indeterminate length.

1 Claim, 2 Drawing Sheets

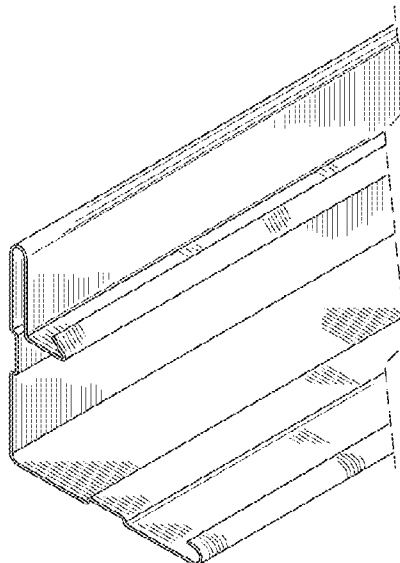


FIG. 1

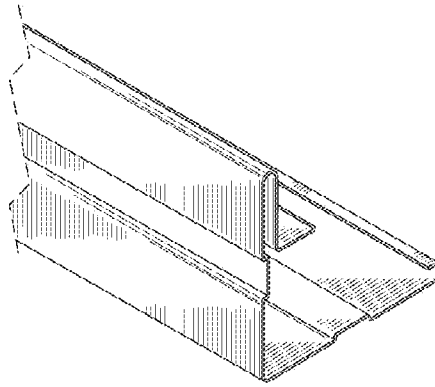


FIG. 2

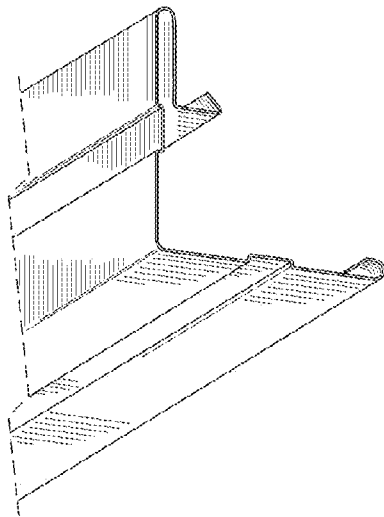


FIG. 3

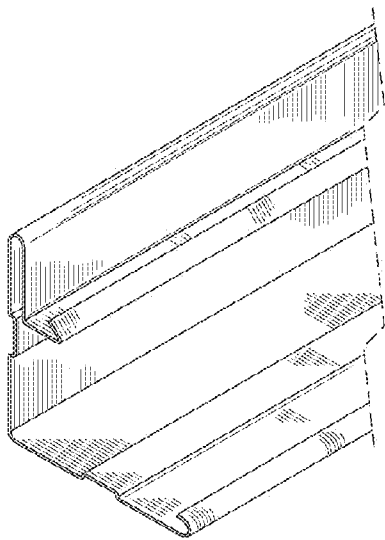
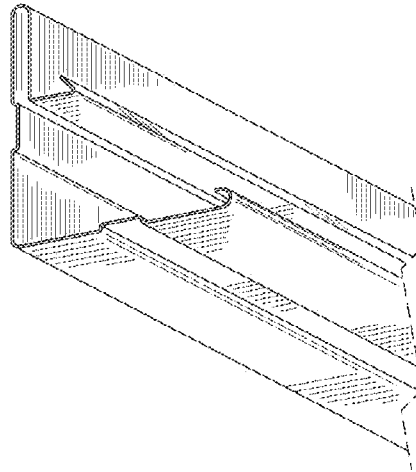


FIG. 4



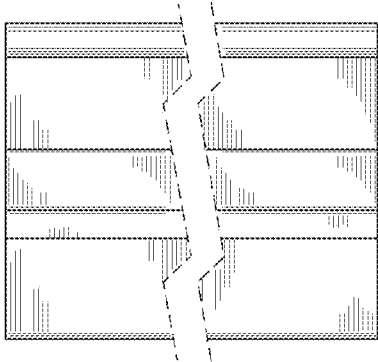


FIG. 7

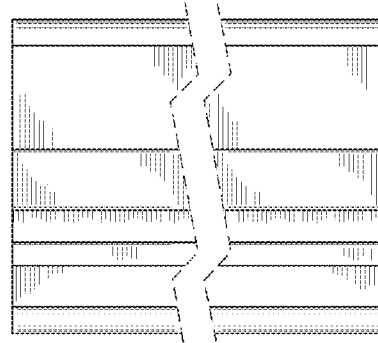


FIG. 5

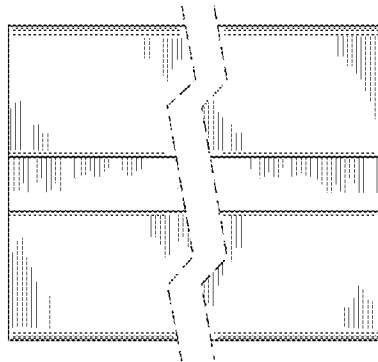


FIG. 6

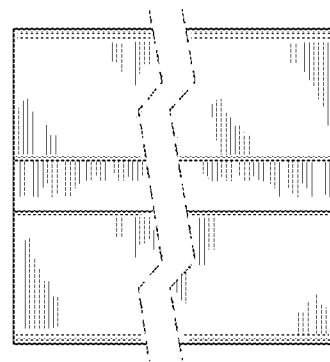


FIG. 10

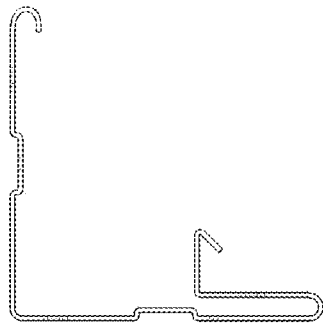


FIG. 8

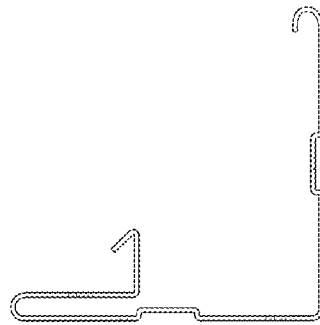


FIG. 9