



US00D674253S

(12) **United States Design Patent**  
**Spiegel**

(10) **Patent No.:** **US D674,253 S**

(45) **Date of Patent:** **\*\* Jan. 15, 2013**

(54) **PEELER**  
(75) Inventor: **Peter Spiegel**, Sherman Oaks, CA (US)  
(73) Assignee: **Ideal Living Holdings Limited**,  
Wanchai (HK)  
(\*\*) Term: **14 Years**  
(21) Appl. No.: **29/405,813**

(22) Filed: **Nov. 7, 2011**  
(51) **LOC (9) Cl.** ..... **07-06**  
(52) **U.S. Cl.** ..... **D7/695**  
(58) **Field of Classification Search** ..... D7/368,  
D7/669, 693, 694, 695, 393, 395; 241/92-95,  
241/168, 169, 169.1, 273.1, 273.2, 273.3,  
241/273.4; 99/485, 495, 567, 568, 584, 585,  
99/588; 30/120.1, 278, 279.2, 279.4, 279.6,  
30/280, 281, 282, 123.5, 294  
See application file for complete search history.

(56) **References Cited**

U.S. PATENT DOCUMENTS

2,309,444	A	*	1/1943	De Vault	.....	30/280
2,323,863	A	*	7/1943	Feemster	.....	30/279.2
2,562,842	A	*	7/1951	Cushman	.....	81/3.56
D403,928	S	*	1/1999	Joergensen	.....	D7/695
5,865,110	A	*	2/1999	Yonezawa	.....	99/588
D407,277	S	*	3/1999	Cousins	.....	D7/695
D461,692	S	*	8/2002	Law	.....	D7/695
D479,445	S	*	9/2003	Chang	.....	D7/695

D486,703	S	*	2/2004	Settele	.....	D7/695
D488,362	S	*	4/2004	Overthun et al.	.....	D7/695
D506,650	S	*	6/2005	Lee	.....	D7/695
D511,442	S	*	11/2005	Lee	.....	D7/695
D518,689	S	*	4/2006	McGuyer	.....	D7/695
D519,335	S	*	4/2006	Ishii	.....	D7/695
7,065,882	B2	*	6/2006	Haberstroh	.....	30/279.6
D531,466	S	*	11/2006	Zirbes	.....	D7/695
D563,738	S	*	3/2008	Michaelian et al.	.....	D7/695
D609,537	S	*	2/2010	Kestenbaum	.....	D7/695
D626,387	S	*	11/2010	Hawker	.....	D7/695

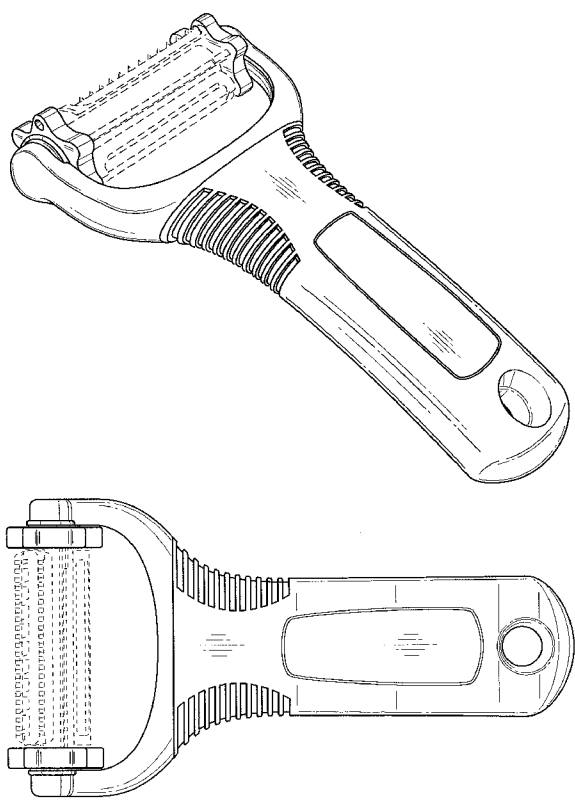
\* cited by examiner  
*Primary Examiner* — Elizabeth J Oswecki  
(74) *Attorney, Agent, or Firm* — Tutunjian & Bitetto, P.C.

(57) **CLAIM**  
The ornamental design for a peeler, as shown and described.

**DESCRIPTION**

FIG. 1 is a perspective view of a peeler showing my new design;  
FIG. 2 is a front view thereof,  
FIG. 3 is a back view thereof;  
FIG. 4 is a left side view thereof;  
FIG. 5 is top view thereof;  
FIG. 6 is a right side view thereof; and,  
FIG. 7 is a bottom view thereof.  
The broken lines shown in FIGS. 1-7 represent unclaimed portions of the peeler and form no part of the claimed design.

**1 Claim, 3 Drawing Sheets**



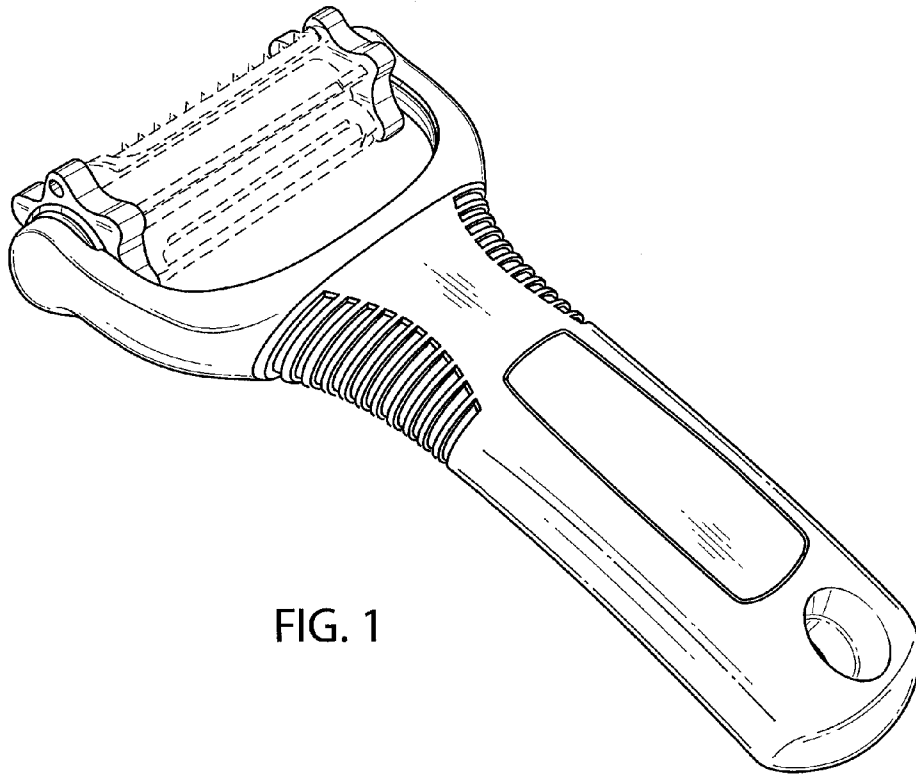


FIG. 1

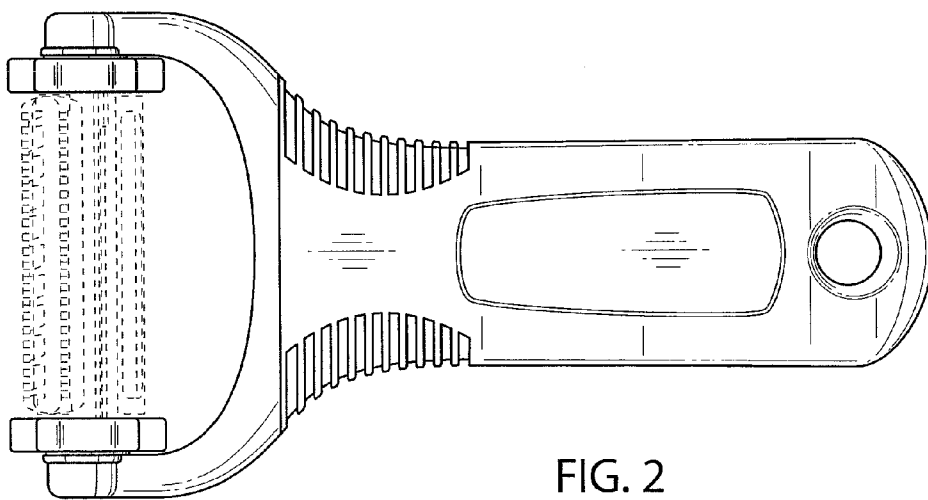


FIG. 2

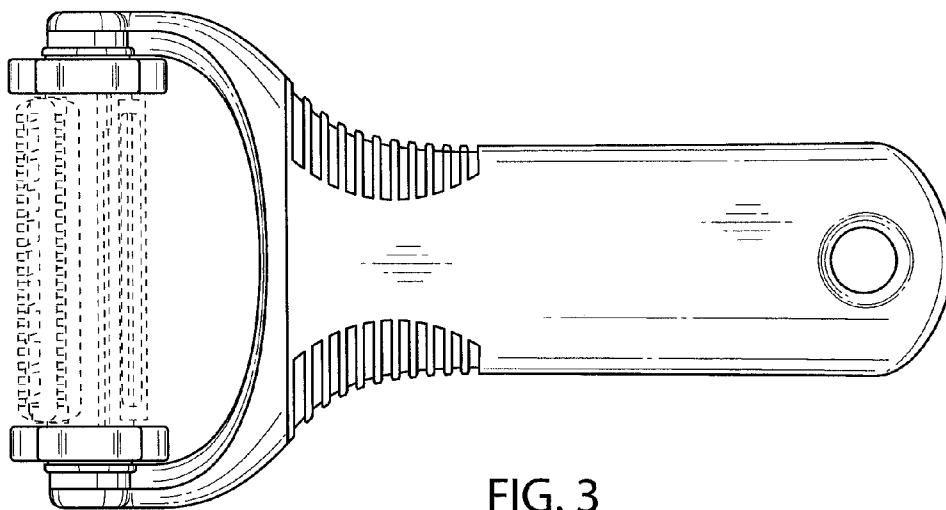


FIG. 3

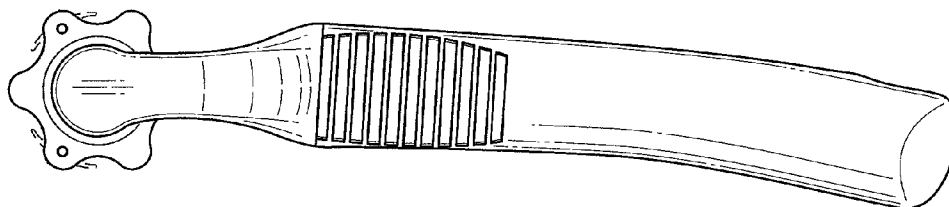


FIG. 4

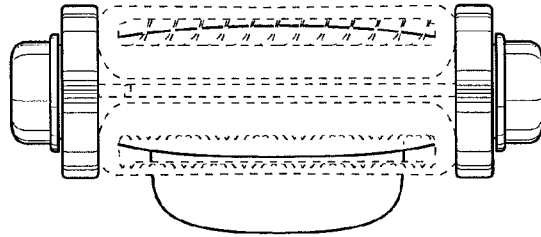


FIG. 5

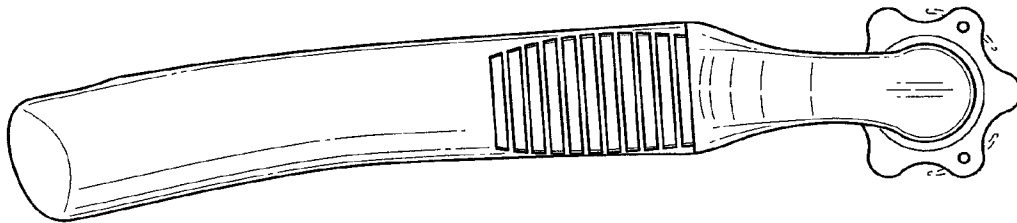


FIG. 6

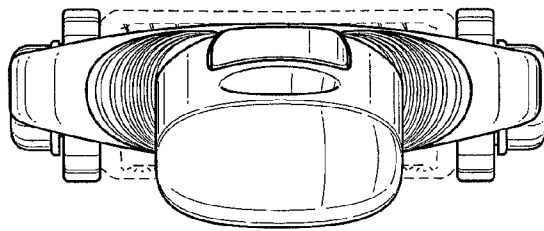


FIG. 7