



US00D360045S

# United States Patent [19]

[11] Patent Number: **Des. 360,045**

**Inukai**

[45] Date of Patent: **\*\* Jul. 4, 1995**

[54] **FLASH LIGHT**

D. 308,253	5/1990	Battles et al.	.....	D26/38
D. 331,118	11/1992	Yeung	.....	D26/49
2,818,498	12/1957	Foch	.....	362/183

[75] Inventor: **Hiroharu Inukai**, Osaka, Japan

[73] Assignee: **Matsushita Electric Industrial Co., Ltd.**, Osaka, Japan

[\*\*] Term: **14 Years**

[21] Appl. No.: **19,829**

[22] Filed: **Mar. 14, 1994**

[30] **Foreign Application Priority Data**

Sep. 13, 1993	[JP]	Japan	.....	5-27832
Sep. 13, 1993	[JP]	Japan	.....	5-27833
[52]	<b>U.S. Cl.</b>	.....		<b>D26/49</b>
[58]	<b>Field of Search</b>	.....		D26/37-50;
				362/157-158, 171-172, 178, 181, 183, 192, 194,
				196-197, 200-206

[56] **References Cited**

**U.S. PATENT DOCUMENTS**

D. 286,681 11/1986 Hung ..... D26/49

*Primary Examiner*—Susan J. Lucas  
*Assistant Examiner*—Robin V. Taylor  
*Attorney, Agent, or Firm*—Sughrue, Mion, Zinn, Macpeak & Seas

[57] **CLAIM**

The ornamental design for a flash light, as shown and described.

**DESCRIPTION**

FIG. 1 is a perspective view showing the top, front and one side of a flash light showing my new design; FIG. 2 is a perspective view of the bottom, rear end and opposite side thereof; FIG. 3 is a top plan view thereof; FIG. 4 is a front end elevational view thereof; and, FIG. 5 is a top, front and one side perspective view of another embodiment thereof, the only difference being in proportion.

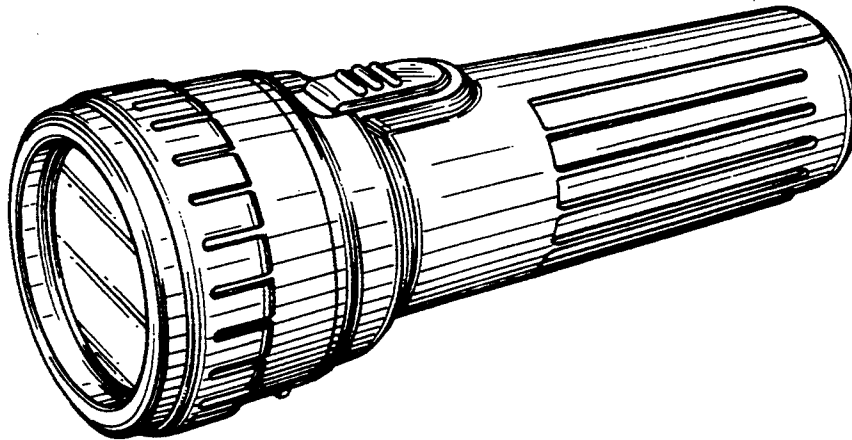


FIG. 1

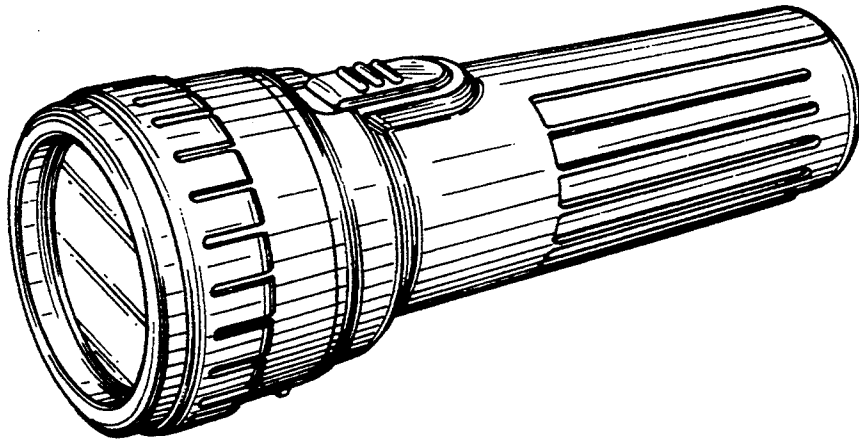


FIG. 2

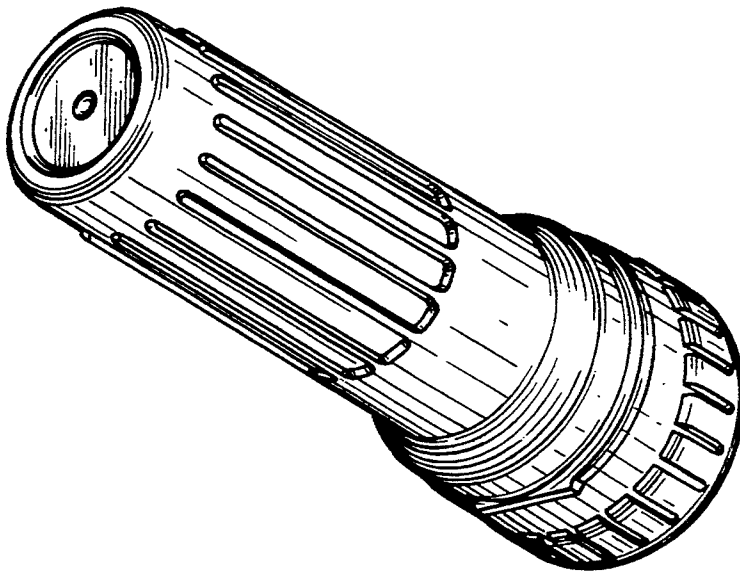


FIG. 3

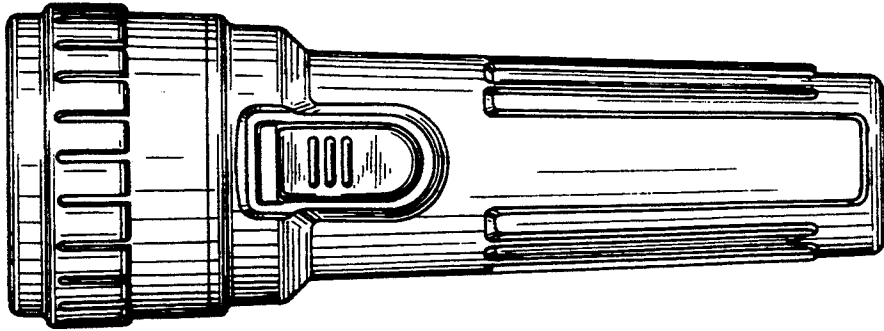


FIG. 4

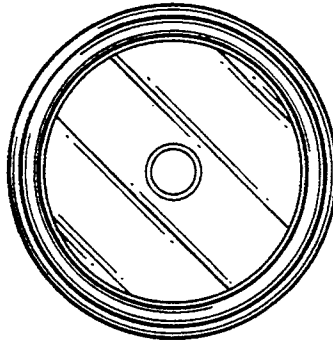


FIG. 5

