



US00D947458S

(12) **United States Design Patent**
Zhang

(10) **Patent No.:** **US D947,458 S**

(45) **Date of Patent:** **** Mar. 29, 2022**

(54) **NAIL DRYER**

(71) Applicant: **Yinan Zhang**, Huazhou (CN)

(72) Inventor: **Yinan Zhang**, Huazhou (CN)

(**) Term: **15 Years**

(21) Appl. No.: **29/736,262**

(22) Filed: **May 29, 2020**

(51) **LOC (13) Cl.** **28-03**

(52) **U.S. Cl.**
USPC **D28/58**

(58) **Field of Classification Search**
USPC D28/58, 12, 54.1, 56, 57, 62, 99
CPC A45D 29/00; A45D 29/007; A45D 29/20;
A45D 2200/15-155; A45D 2200/205;
A45D 2029/008; A24F 1/26; A24F 1/60;
A24F 3/00; A47K 10/48; A47K 10/00;
F21V 33/0004; F21V 33/00

See application file for complete search history.

(56) **References Cited**

U.S. PATENT DOCUMENTS

D680,272 S *	4/2013	Cheng	D28/54.1
D685,949 S *	7/2013	Valia	D28/58
D805,692 S *	12/2017	Cheng	D28/58
D853,031 S *	7/2019	Ouyang	D28/58
D857,993 S *	8/2019	Hsieh	D28/58
D858,883 S *	9/2019	Wu	D28/58
D858,884 S *	9/2019	Wu	D28/58
D858,885 S *	9/2019	Wu	D28/58
D864,485 S *	10/2019	Ouyang	D28/58
D880,068 S *	3/2020	Wu	D28/58
D890,431 S *	7/2020	Hsieh	D28/58
D897,044 S *	9/2020	Yu	D28/58

D900,396 S *	10/2020	Zhang	D28/58
D909,682 S *	2/2021	Wu	D28/58
D919,184 S *	5/2021	Feng	D28/58
D920,576 S *	5/2021	Liu	D28/58
D926,379 S *	7/2021	Wu	D28/58

OTHER PUBLICATIONS

Nail Dryer By: PHYOPUS found on Amazon Jun. 10, 2021 https://www.amazon.com/Professional-Portable-Suitable-Fingernails-Toenails/dp/B08HH7HX9Y/ref=sr_1_5?dchild= Apr. 28, 2021.*

* cited by examiner

Primary Examiner — Marissa J Cash
Assistant Examiner — Rebecca Tsehaye

(57) **CLAIM**

The ornamental design for a nail dryer, as shown and described.

DESCRIPTION

FIG. 1 is a first perspective view of a nail dryer showing my new design;

FIG. 2 is a second perspective view thereof;

FIG. 3 is a front view thereof;

FIG. 4 is a back view thereof;

FIG. 5 is a left side view thereof;

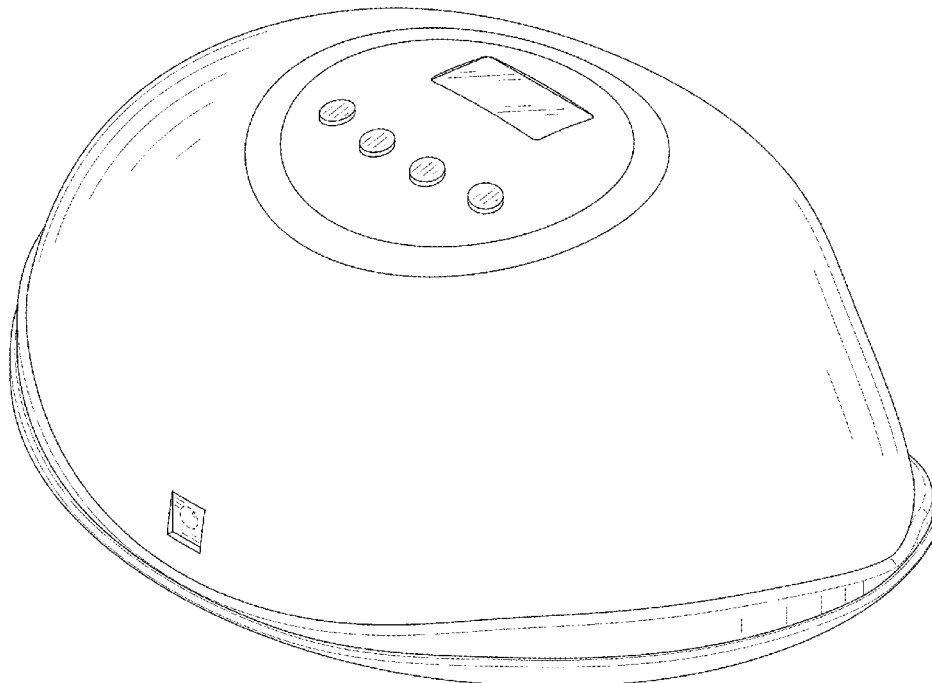
FIG. 6 is a right side view thereof;

FIG. 7 is a top view thereof; and,

FIG. 8 is a bottom view thereof.

The broken lines shown in the drawing depict portions of the nail dryer in which the design is embodied that form no part of the claimed design.

1 Claim, 8 Drawing Sheets



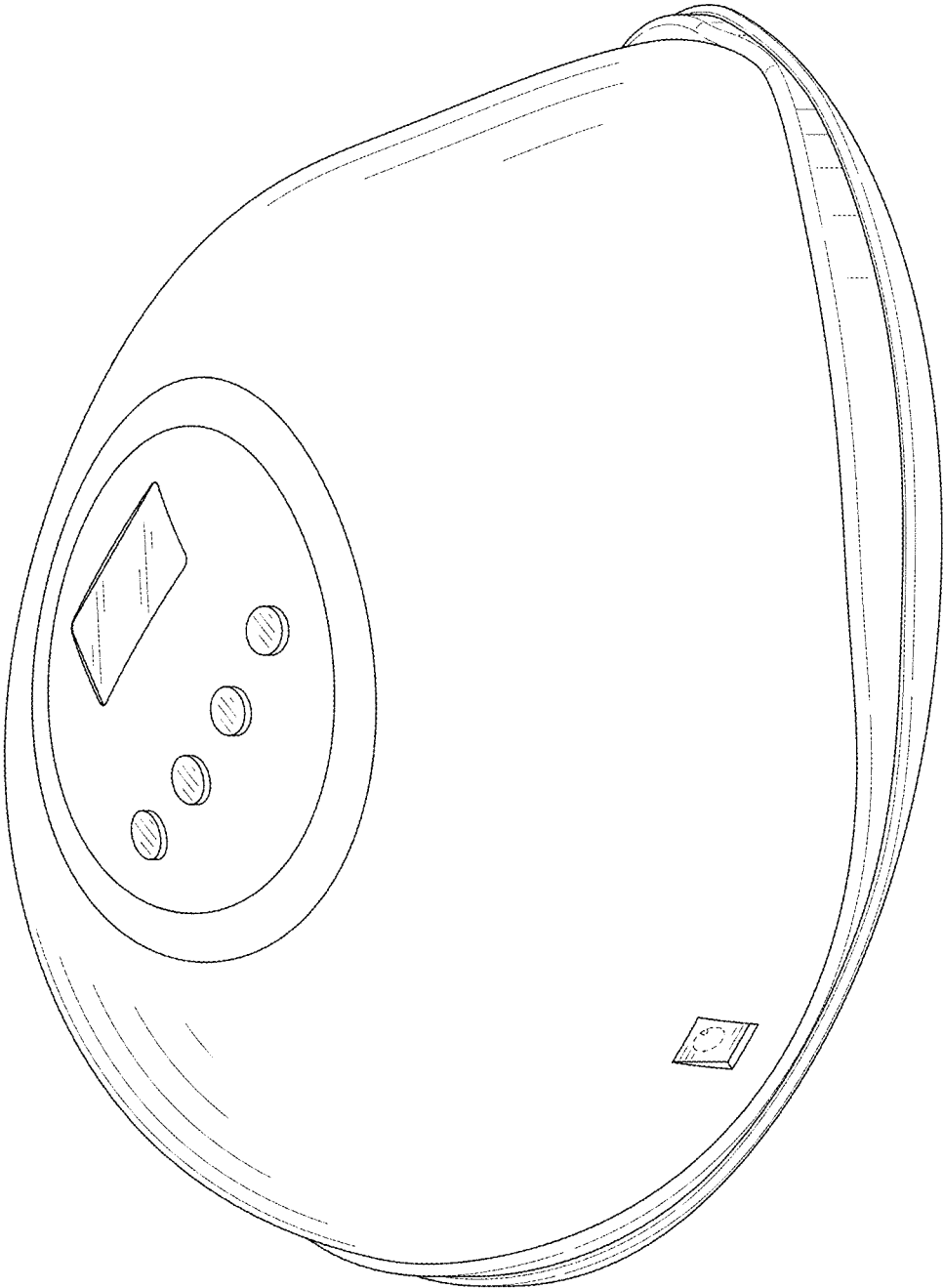


FIG. 1

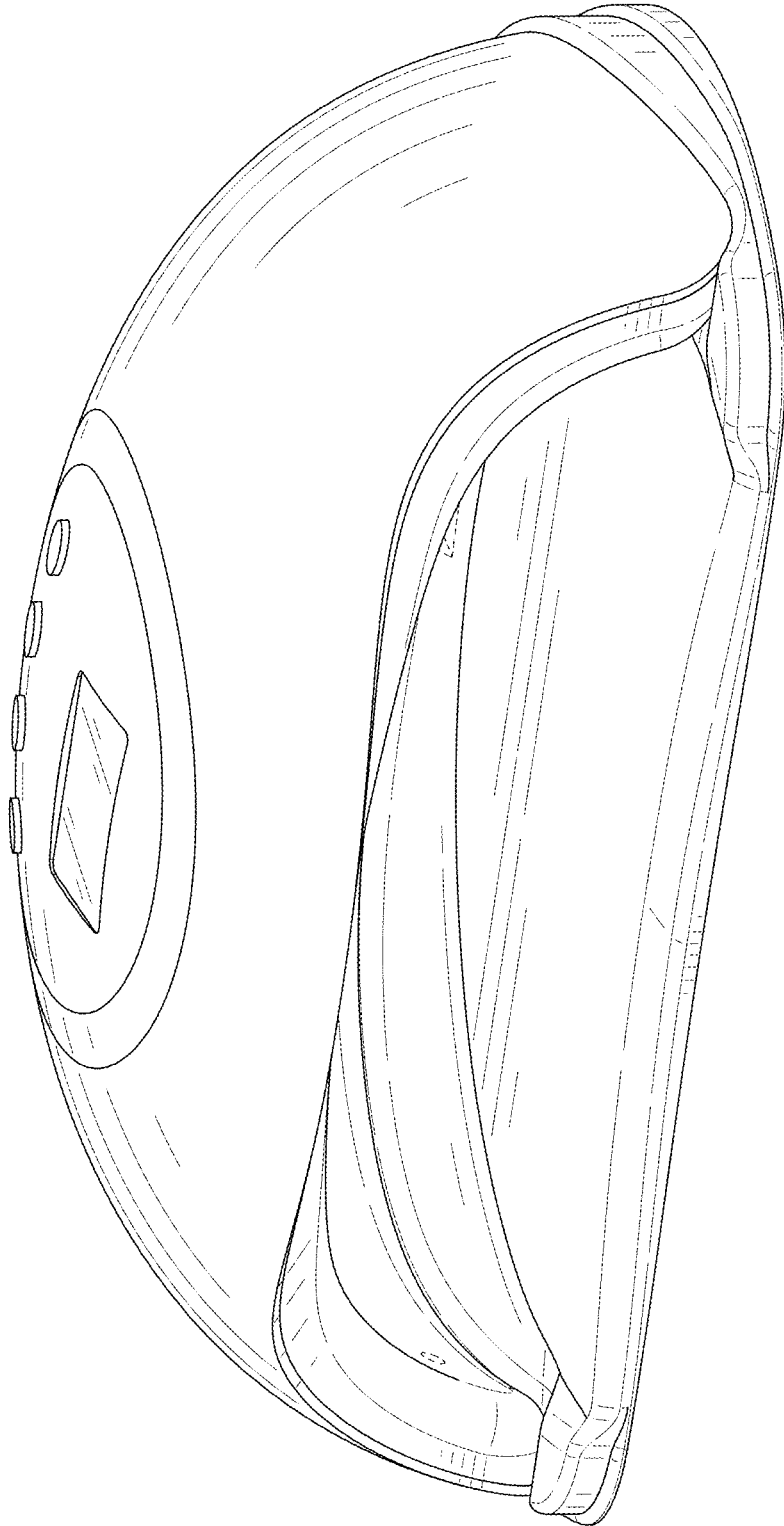


FIG. 2

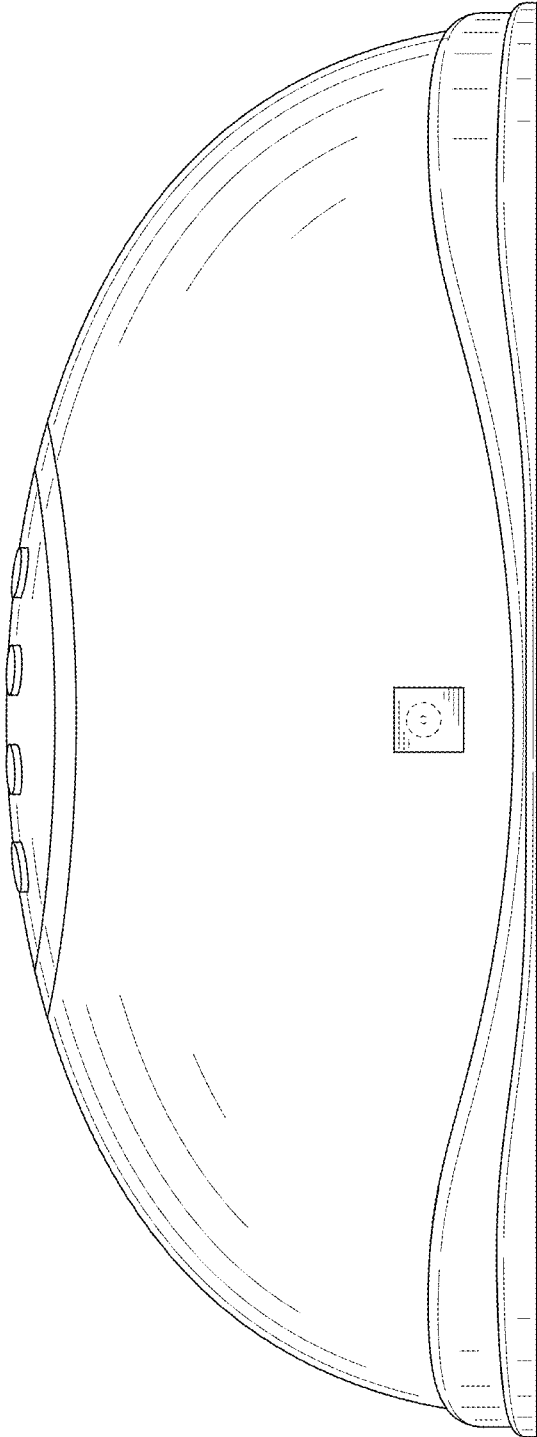


FIG. 3

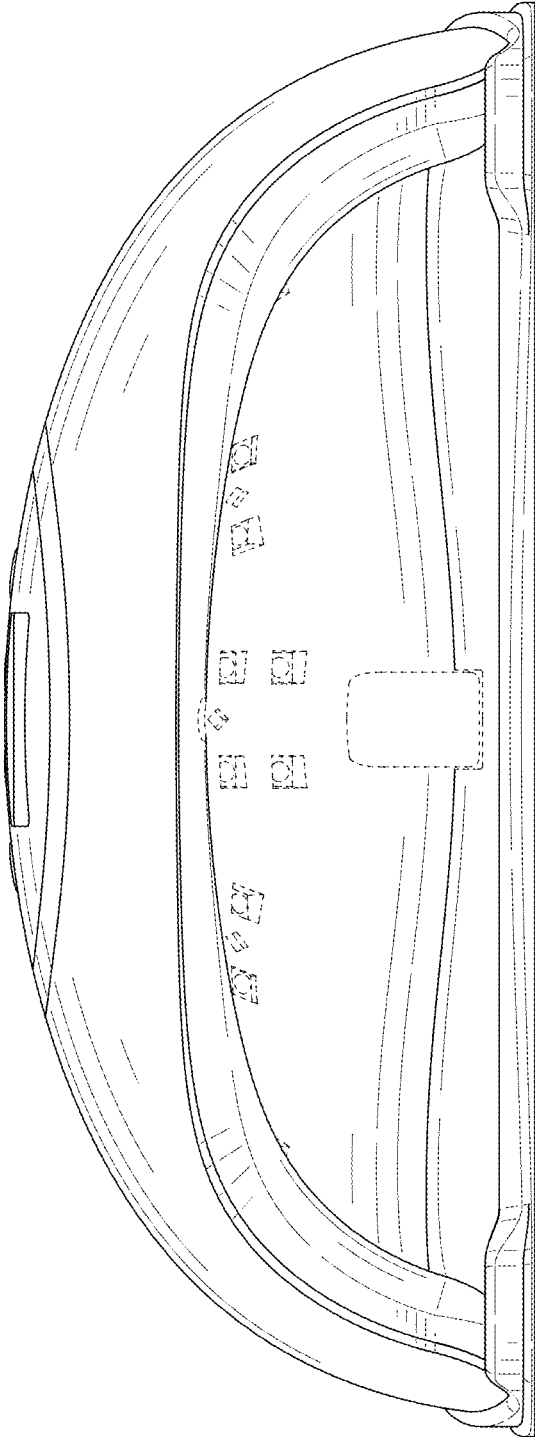


FIG. 4

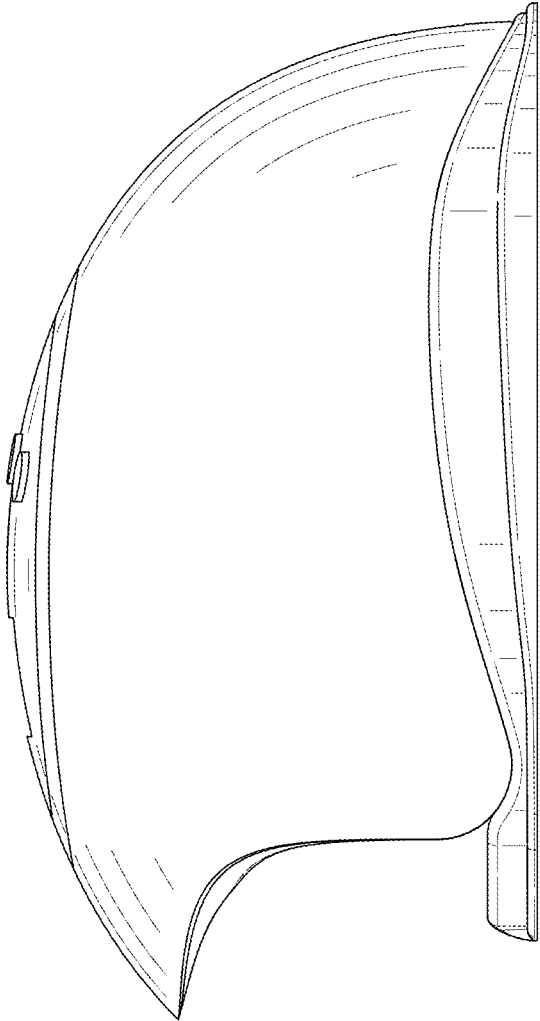


FIG. 5

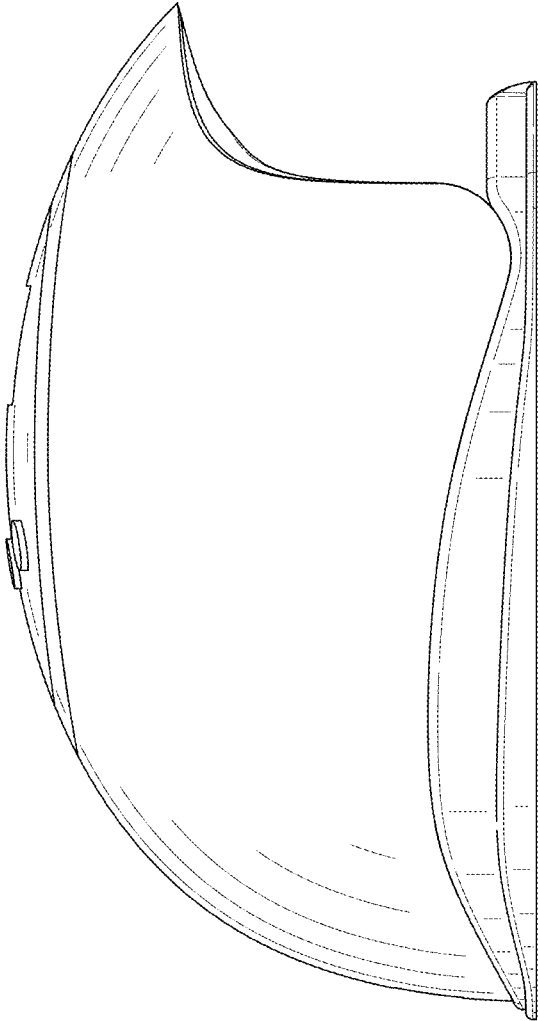


FIG. 6

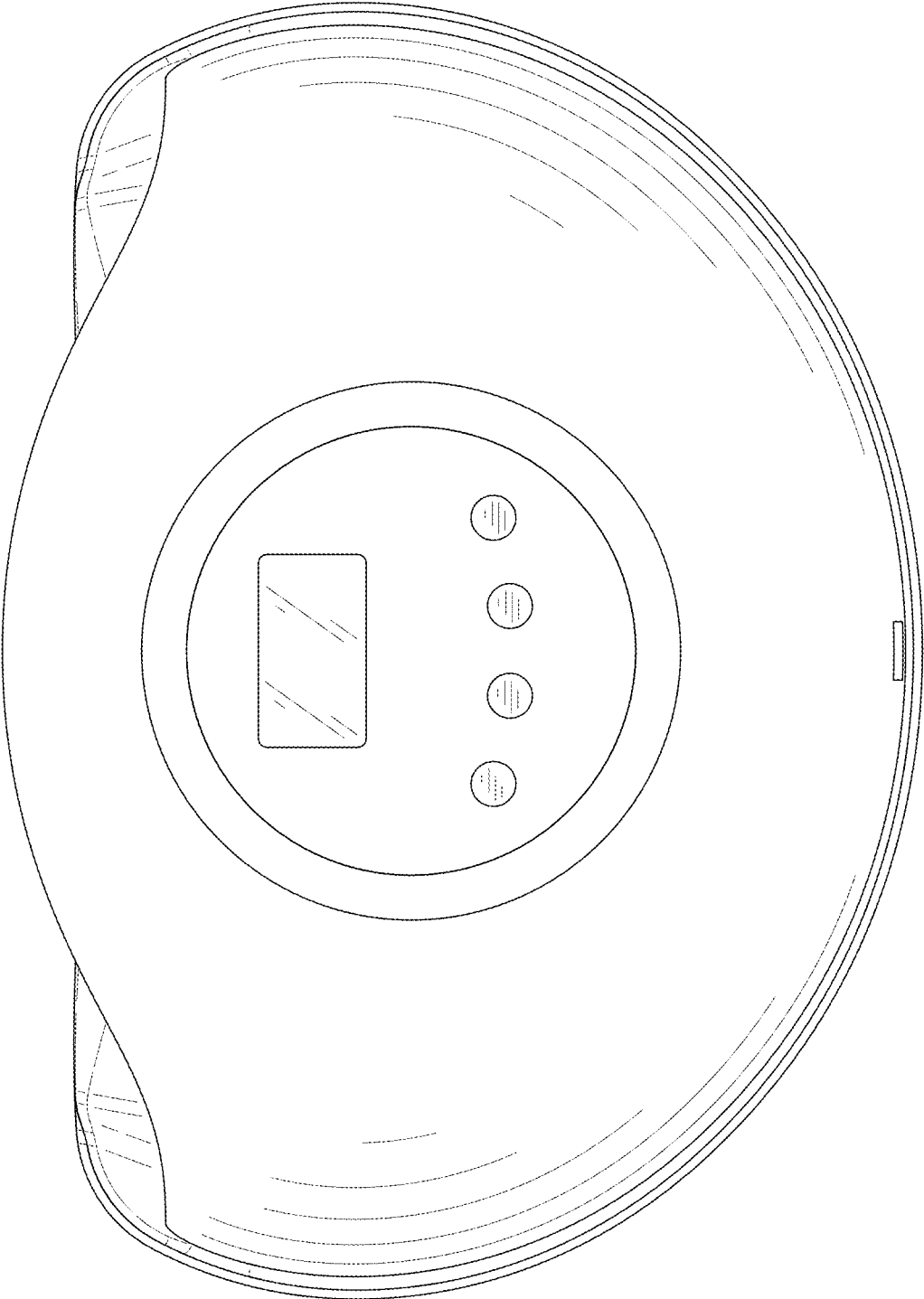


FIG. 7

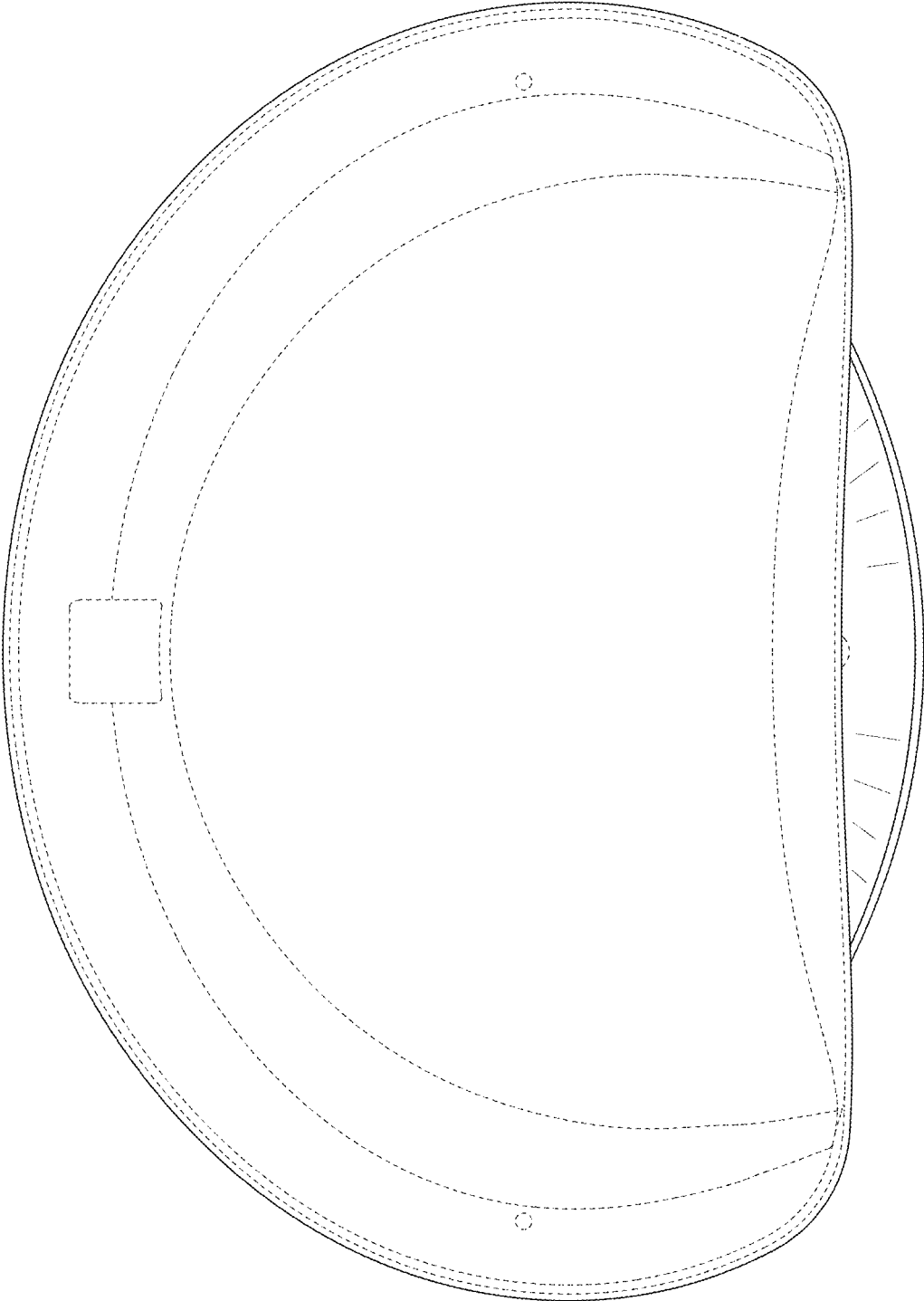


FIG. 8