

[54] JEWELRY DISPLAY RACK

4,141,453 2/1979 Hanan 211/163
4,390,099 6/1983 Trautlein et al. 211/205 X

[76] Inventor: Paul D. Knudsen, 3823 W. Sandra Ter., Phoenix, Ariz. 85023

Primary Examiner—Carmen H. Vales-Lado
Attorney, Agent, or Firm—LaValle D. Ptak

[**] Term: 14 Years

[57] CLAIM

[21] Appl. No.: 62,056

The ornamental design for a jewelry display rack, as shown and described.

[22] Filed: Jun. 15, 1987

[52] U.S. Cl. D6/457

[58] Field of Search D6/455, 456, 457, 458, D6/459; 211/13, 163, 205

DESCRIPTION

[56] References Cited

U.S. PATENT DOCUMENTS

- D. 82,082 9/1930 Finch D6/458
- D. 224,060 6/1972 Larson D6/457
- D. 241,394 9/1976 Widdowson D6/457 X
- D. 249,101 8/1978 Strubble et al. D6/457
- 3,997,050 12/1976 Patterson 211/163 X

FIG. 1 is a perspective view of a jewelry display rack showing my new design;
 FIG. 2 is an enlarged detailed perspective view of the encircled area in FIG. 1;
 FIG. 3 is a reduced scale elevational view, shown broken away for convenience of illustration, the other sides being identical thereto;
 FIG. 4 is a top plan view thereof; and
 FIG. 5 is a bottom plan view thereof.

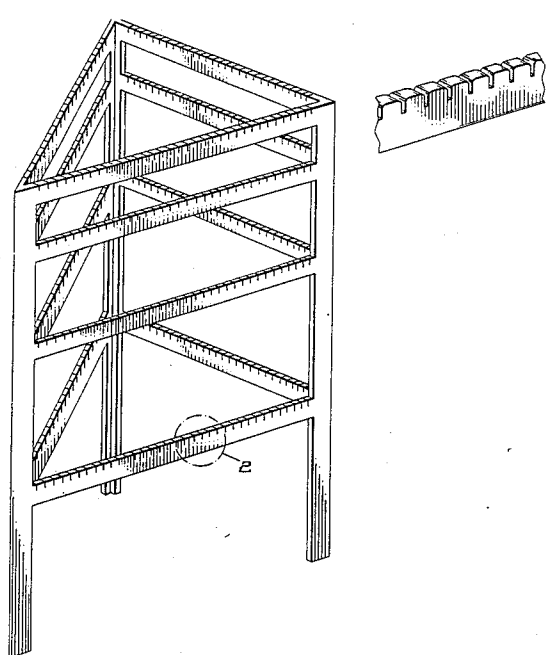


FIG. 1

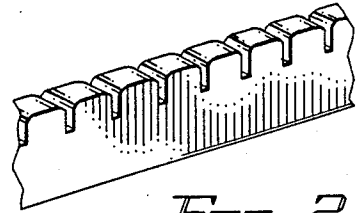
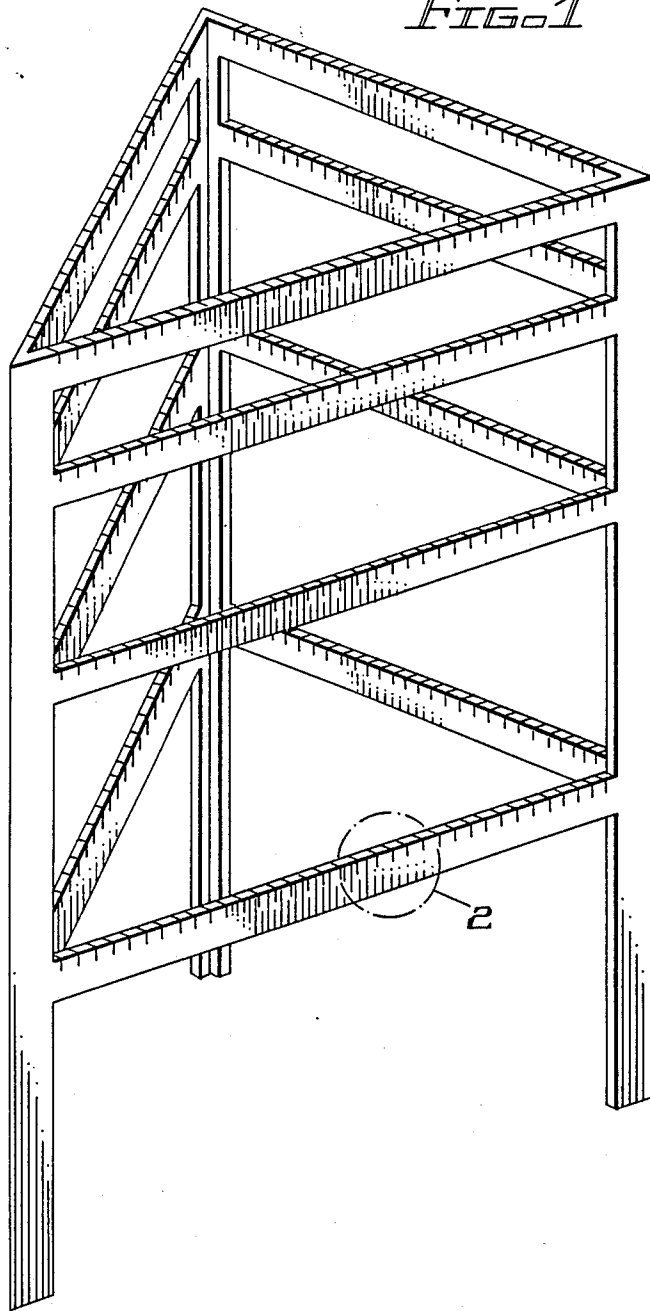


FIG. 2

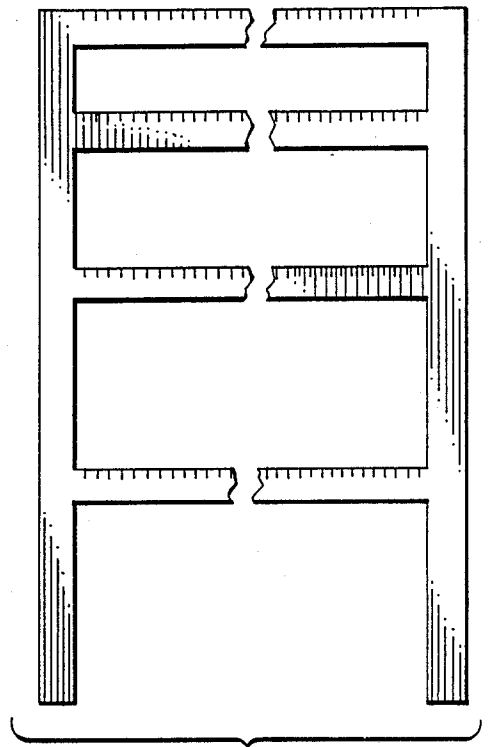


FIG. 3

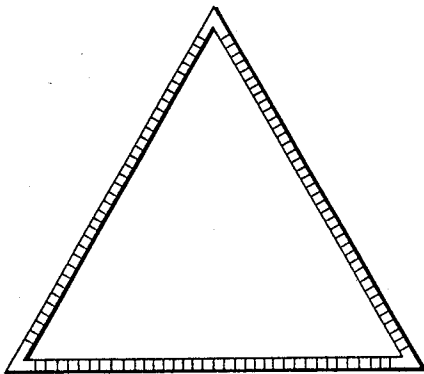


FIG. 4

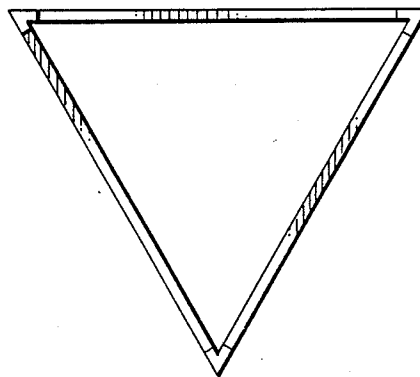


FIG. 5