



US00D837685S

(12) **United States Design Patent**  
**Miki**

(10) **Patent No.:** **US D837,685 S**  
(45) **Date of Patent:** **\*\* Jan. 8, 2019**

(54) **EYELET**  
(71) Applicants: **MORITO CO., LTD.**, Osaka (JP);  
**KANE-M INDUSTRIAL CO., LTD.**,  
Osaka (JP)  
(72) Inventor: **Atsushi Miki**, Yao (JP)  
(73) Assignees: **Morito Co., Ltd.**, Osaka (JP); **Kane-M**  
**Industrial Co., Ltd.**, Osaka (JP)  
(\*\*) Term: **15 Years**  
(21) Appl. No.: **35/503,231**  
(22) Filed: **Dec. 20, 2016**  
(80) **Hague Agreement Data**  
Int. Filing Date: **Dec. 20, 2016**  
Int. Reg. No.: **DM/094487**  
Int. Reg. Date: **Dec. 20, 2016**  
Int. Reg. Pub. Date: **Jun. 23, 2017**

(51) **LOC (11) Cl.** ..... **02-07**  
(52) **U.S. Cl.**  
USPC ..... **D11/200**  
(58) **Field of Classification Search**  
USPC ..... D2/609, 639, 946, 973, 999; D8/349,  
D8/354, 355, 356, 382, 383, 396;  
D11/200  
CPC ..... A43C 5/00; A43D 100/02; A44B 13/007;  
A44B 13/0076; A44B 13/0082; A44B  
13/0088; A44B 17/0017; A44B 1/44;  
Y10T 24/45911; Y10T 24/45927; Y10T  
24/3617; Y10T 24/3698  
See application file for complete search history.

(56) **References Cited**  
U.S. PATENT DOCUMENTS

1,976,776 A \* 10/1934 Gookin ..... A44B 13/0082  
24/713.7  
2,759,237 A \* 8/1956 Scovill ..... A44B 17/0017  
24/691

3,333,306 A \* 8/1967 Daddona, Jr. .... A44B 17/00  
24/691  
3,505,923 A \* 4/1970 Neill ..... F16B 19/06  
411/501  
3,613,181 A \* 10/1971 Taylor ..... A44B 17/0029  
24/662  
4,664,574 A \* 5/1987 Kasai ..... A44B 13/007  
411/508  
4,698,881 A \* 10/1987 Watanabe ..... A44B 17/0088  
24/113 MP  
5,029,879 A \* 7/1991 Strang, Sr. .... F16L 41/088  
277/606  
5,769,144 A \* 6/1998 Carter ..... A44B 13/0076  
160/123  
D402,354 S \* 12/1998 Strong ..... D23/259  
D422,307 S \* 4/2000 Whaley ..... D19/27  
D442,064 S \* 5/2001 Chung ..... D8/356  
6,757,945 B2 \* 7/2004 Shibuya ..... A47G 27/0418  
16/8  
D623,045 S \* 9/2010 Moncade ..... D8/354  
D634,520 S \* 3/2011 Choi ..... D2/902

(Continued)

*Primary Examiner* — Elizabeth A. Albert  
(74) *Attorney, Agent, or Firm* — Bacon & Thomas, PLLC

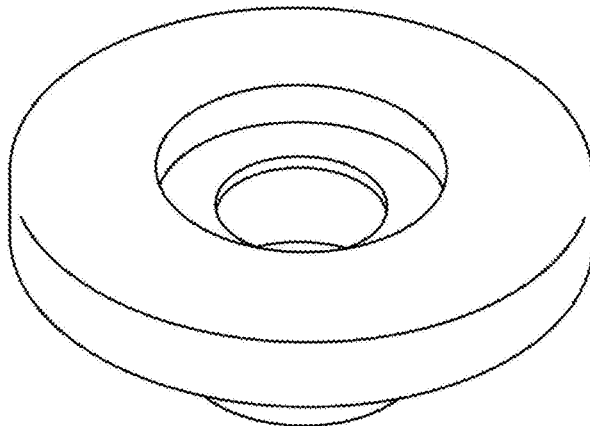
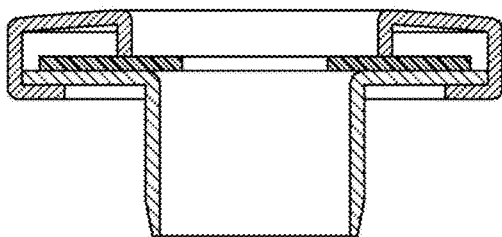
(57) **CLAIM**

The ornamental design for an eyelet, as shown and described.

**DESCRIPTION**

1. Eyelet  
**1.1** : Front  
**1.2** : Right  
**1.3** : Top  
**1.4** : Bottom  
**1.5** : Cross-sectional  
**1.6** : Perspective  
**1.7** Another cross-sectional view showing state in use  
The broken line portions of **1.1** are included to show unclaimed environmental subject matter only and form no part of the claimed design.

**1 Claim, 7 Drawing Sheets**



(56)

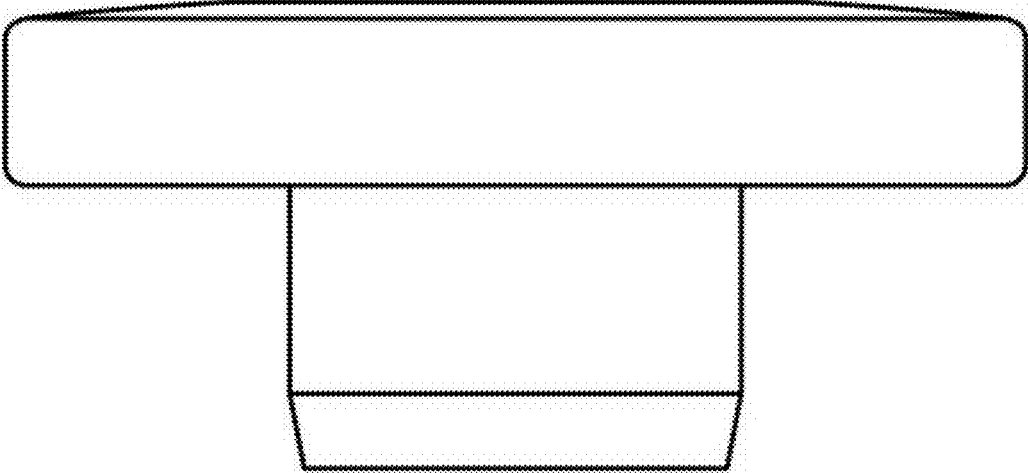
**References Cited**

U.S. PATENT DOCUMENTS

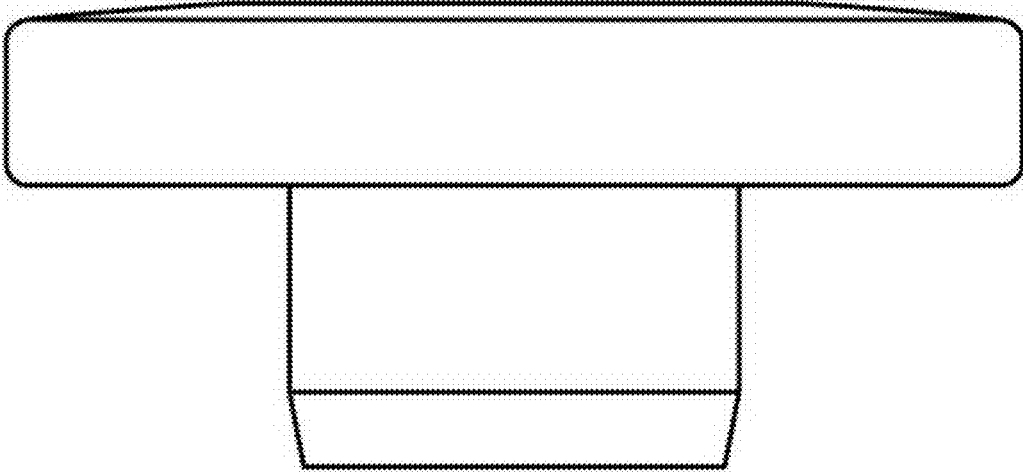
7,945,992	B2 *	5/2011	Parisi .....	B60N 3/046 16/4
D666,798	S *	9/2012	Now .....	D2/969
D690,336	S *	9/2013	Gjertsen .....	D15/144
D707,439	S *	6/2014	DelVecchio .....	D2/973
D714,531	S *	10/2014	Guglielmo .....	D2/946
D722,486	S *	2/2015	Wang .....	D8/355
9,273,707	B2 *	3/2016	Lee .....	F16B 3/00
D765,957	S *	9/2016	Dupuy .....	D2/946
2006/0005363	A1 *	1/2006	Reiter .....	A44B 17/0017 24/459

\* cited by examiner

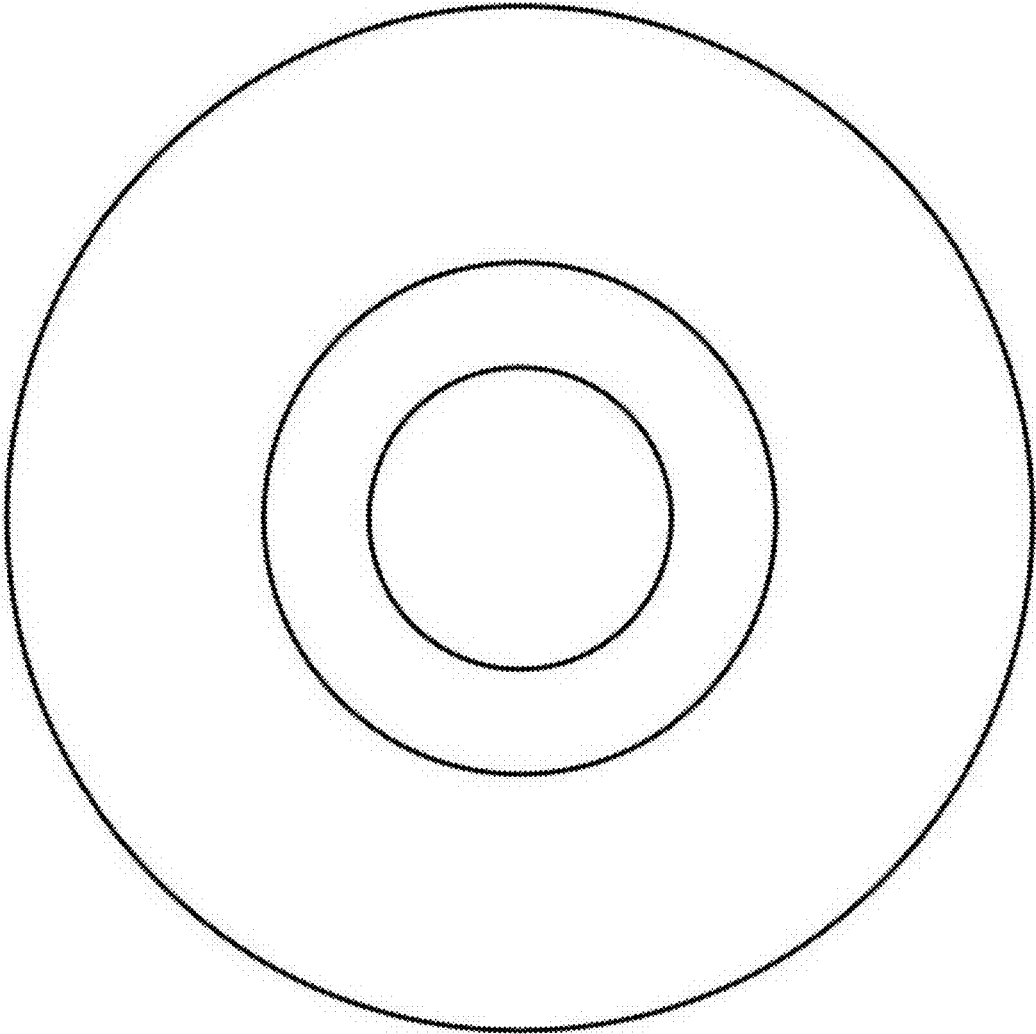
1.1



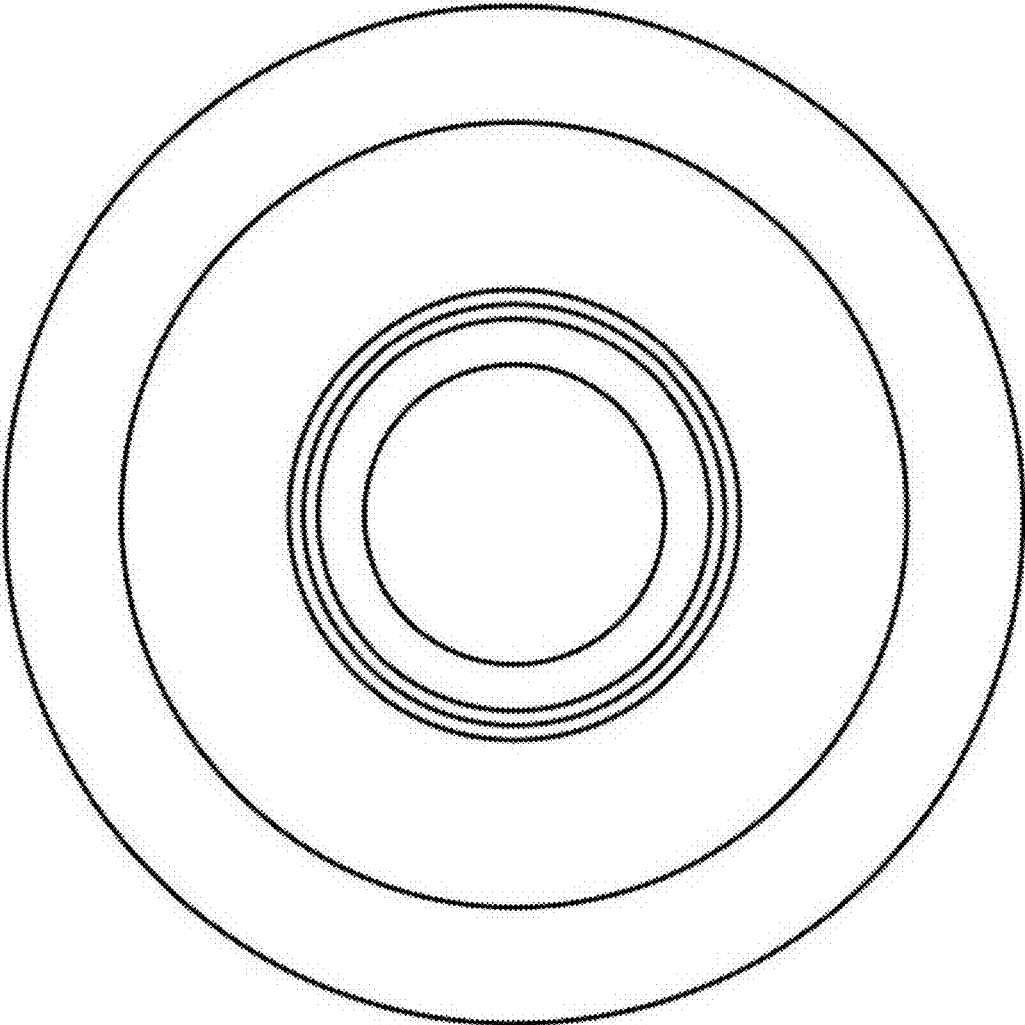
1.2



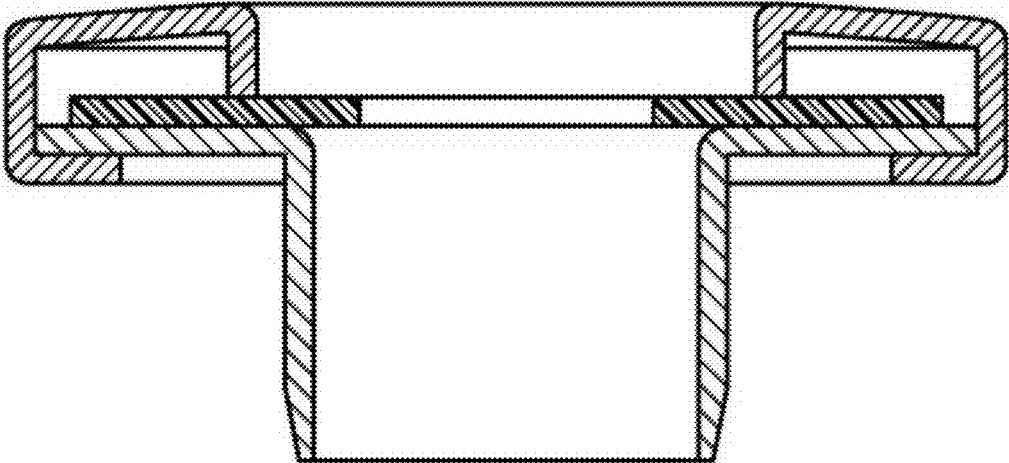
1.3



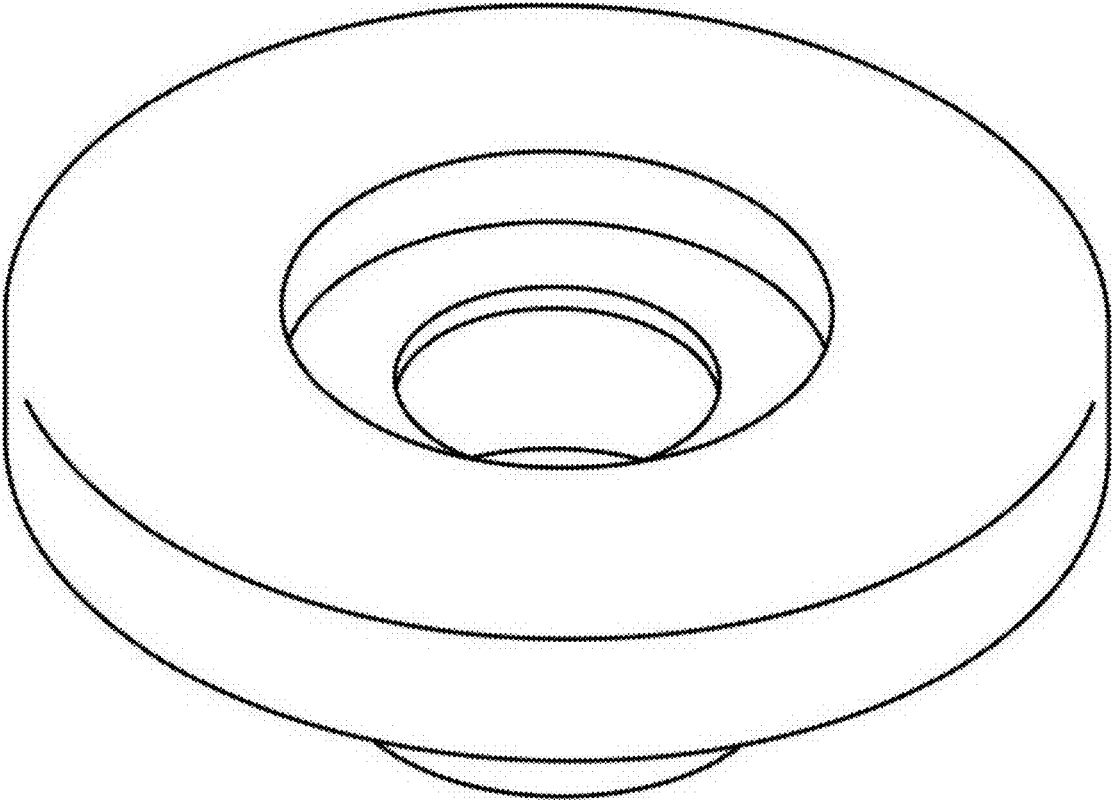
1.4



1.5



1.6





1.7

