

(19) World Intellectual Property Organization
International Bureau



(43) International Publication Date
12 September 2008 (12.09.2008)

PCT

(10) International Publication Number
WO 2008/109668 A3

- (51) International Patent Classification:
C12M 1/12 (2006.01) C12M 3/06 (2006.01)
- (21) International Application Number:
PCT/US2008/055904
- (22) International Filing Date: 5 March 2008 (05.03.2008)
- (25) Filing Language: English
- (26) Publication Language: English
- (30) Priority Data:

60/892,903	5 March 2007 (05.03.2007)	US
60/892,962	5 March 2007 (05.03.2007)	US
60/892,981	5 March 2007 (05.03.2007)	US
60/911,393	12 April 2007 (12.04.2007)	US
60/971,511	11 September 2007 (11.09.2007)	US
60/971,494	11 September 2007 (11.09.2007)	US

AO, AT, AU, AZ, BA, BB, BG, BH, BR, BW, BY, BZ, CA, CH, CN, CO, CR, CU, CZ, DE, DK, DM, DO, DZ, EC, EE, EG, ES, FI, GB, GD, GE, GH, GM, GT, HN, HR, HU, ID, IL, IN, IS, JP, KE, KG, KM, KN, KP, KR, KZ, LA, LC, LK, LR, LS, LT, LU, LY, MA, MD, ME, MG, MK, MN, MW, MX, MY, MZ, NA, NG, NI, NO, NZ, OM, PG, PH, PL, PT, RO, RS, RU, SC, SD, SE, SG, SK, SL, SM, SV, SY, TJ, TM, TN, TR, TT, TZ, UA, UG, US, UZ, VC, VN, ZA, ZM, ZW.

(84) Designated States (unless otherwise indicated, for every kind of regional protection available): ARIPO (BW, GH, GM, KE, LS, MW, MZ, NA, SD, SL, SZ, TZ, UG, ZM, ZW), Eurasian (AM, AZ, BY, KG, KZ, MD, RU, TJ, TM), European (AT, BE, BG, CH, CY, CZ, DE, DK, EE, ES, FI, FR, GB, GR, HR, HU, IE, IS, IT, LT, LU, LV, MC, MT, NL, NO, PL, PT, RO, SE, SI, SK, TR), OAPI (BF, BJ, CF, CG, CI, CM, GA, GN, GQ, GW, ML, MR, NE, SN, TD, TG).

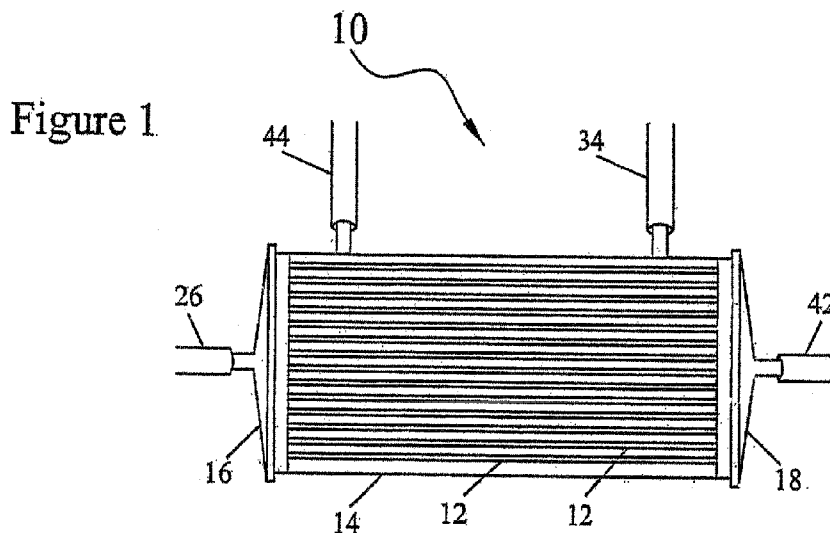
- (71) Applicant (for all designated States except US): CARIDI-ANBCT, INC. [US/US]; Intellectual Property Department, 10811 West Collins Avenue, Lakewood, CO 80215 (US).
- (72) Inventor; and
- (75) Inventor/Applicant (for US only): ANTWILER, Glen, Delbert [US/US]; 2905 Xenon Street, Lakewood, CO 80215 (US).
- (74) Agent: ARCINIEGAS, Laura, B.; 10810 W. Collins Avenue, Lakewood, CO 80215 (US).
- (81) Designated States (unless otherwise indicated, for every kind of national protection available): AE, AG, AL, AM,

Declarations under Rule 4.17:
— as to applicant's entitlement to apply for and be granted a patent (Rule 4.17(ii))
— as to the applicant's entitlement to claim the priority of the earlier application (Rule 4.17(iii))

Published:
— with international search report
— before the expiration of the time limit for amending the claims and to be republished in the event of receipt of amendments

(88) Date of publication of the international search report:
2 April 2009

(54) Title: METHODS TO CONTROL CELL MOVEMENT IN HOLLOW FIBER BIOREACTORS



(57) Abstract: This invention is directed toward methods of moving cells throughout a hollow fiber bioreactor using fluid flow.

WO 2008/109668 A3

INTERNATIONAL SEARCH REPORT

International application No
PCT/US2008/055904

A. CLASSIFICATION OF SUBJECT MATTER
INV. C12M1/12 C12M3/06

According to International Patent Classification (IPC) or to both national classification and IPC

B. FIELDS SEARCHED

Minimum documentation searched (classification system followed by classification symbols)
C12M C12N C12Q

Documentation searched other than minimum documentation to the extent that such documents are included in the fields searched

Electronic data base consulted during the international search (name of data base and, where practical, search terms used)

EPO-Internal, WPI Data

C. DOCUMENTS CONSIDERED TO BE RELEVANT

Category*	Citation of document, with indication, where appropriate, of the relevant passages	Relevant to claim No.
X	US 6 001 585 A (GRAMER MICHAEL J [US]) 14 December 1999 (1999-12-14) column 1, lines 5-10,39-45,64-67 column 2, lines 1-22 column 3, lines 33-67 column 4 column 5, lines 39-59 claims; figures column 9, lines 5-8	1-13,16
X	WO 95/04813 A (UNISYN TECHNOLOGIES INC [US]; GOFFE RANDAL A [US]; LOWREY DAVID M [US]) 16 February 1995 (1995-02-16) page 6 - page 12 claims	1-13,16

Further documents are listed in the continuation of Box C.

See patent family annex.

* Special categories of cited documents :

A document defining the general state of the art which is not considered to be of particular relevance

E earlier document but published on or after the international filing date

L document which may throw doubts on priority claim(s) or which is cited to establish the publication date of another citation or other special reason (as specified)

O document referring to an oral disclosure, use, exhibition or other means

P document published prior to the international filing date but later than the priority date claimed

T later document published after the international filing date or priority date and not in conflict with the application but cited to understand the principle or theory underlying the invention

X document of particular relevance; the claimed invention cannot be considered novel or cannot be considered to involve an inventive step when the document is taken alone

Y document of particular relevance; the claimed invention cannot be considered to involve an inventive step when the document is combined with one or more other such documents, such combination being obvious to a person skilled in the art.

& document member of the same patent family

Date of the actual completion of the international search

16 January 2009

Date of mailing of the international search report

29/01/2009

Name and mailing address of the ISA/

European Patent Office, P.B. 5818 Patentlaan 2
NL - 2280 HV Rijswijk
Tel. (+31-70) 340-2040,
Fax: (+31-70) 340-3016

Authorized officer

Böhm, Ingo

INTERNATIONAL SEARCH REPORT

International application No
PCT/US2008/055904

C(Continuation). DOCUMENTS CONSIDERED TO BE RELEVANT .		
Category*	Citation of document, with indication, where appropriate, of the relevant passages	Relevant to claim No.
A	US 4 391 912 A (YOSHIDA KOICHI [JP] ET AL) 5 July 1983 (1983-07-05) column 2 - column 3 claims	1,13,16
A	US 5 622 857 A (GOFFE RANDAL A [US]) 22 April 1997 (1997-04-22) column 2 - column 5 claims; figures	1,13,14, 16
A	US 4 647 539 A (BACH BERT R [US]) 3 March 1987 (1987-03-03) column 2 - column 3	1,13,16
A	WO 00/75275 A (UNIV NORTH CAROLINA [US]) 14 December 2000 (2000-12-14) pages 7,8,12	1,13,16
A	WO 03/105663 A (STELSYS LLC [US]; LI ALBERT [US]; MURRAY SONYA H [US]; COWGER NANCY [U] 24 December 2003 (2003-12-24) paragraphs [0026], [0027] claims; figures	1,13,16
A	US 5 981 211 A (HU WEI-SHOU [US] ET AL) 9 November 1999 (1999-11-09) column 9 - column 10 claims	1,13,16
A	WO 95/11048 A (UNIV MICHIGAN [US]) 27 April 1995 (1995-04-27) page 7 - page 9 page 14, paragraph 1 page 18, paragraph 2 - paragraph 3	1,13,16

INTERNATIONAL SEARCH REPORT

Information on patent family members

International application No PCT/US2008/055904

Patent document cited in search report	A	Publication date	Patent family member(s)	Publication date
US 6001585	A	14-12-1999	NONE	
WO 9504813	A	16-02-1995	AU 7520894 A	28-02-1995
US 4391912	A	05-07-1983	DE 3035118 A1 FR 2476124 A1 GB 2062006 A JP 56042584 A	19-03-1981 21-08-1981 20-05-1981 20-04-1981
US 5622857	A	22-04-1997	US 5882918 A	16-03-1999
US 4647539	A	03-03-1987	NONE	
WO 0075275	A	14-12-2000	AT 274571 T AU 780160 B2 AU 5180100 A CA 2376039 A1 DE 60013277 D1 DE 60013277 T2 EP 1185612 A2 ES 2226850 T3 HK 1045323 A1 JP 2003501078 T ZA 200109939 A	15-09-2004 03-03-2005 28-12-2000 14-12-2000 30-09-2004 11-08-2005 13-03-2002 01-04-2005 15-04-2005 14-01-2003 13-02-2003
WO 03105663	A	24-12-2003	AU 2003275991 A1	31-12-2003
US 5981211	A	09-11-1999	US 5595909 A	21-01-1997
WO 9511048	A	27-04-1995	AT 257018 T AU 692191 B2 AU 7970194 A CA 2173594 A1 DE 69433464 D1 DE 69433464 T2 EP 0746343 A1 JP 3614853 B2 JP 9503941 T JP 3795900 B2 JP 2004267795 A US 5686289 A	15-01-2004 04-06-1998 08-05-1995 27-04-1995 05-02-2004 11-11-2004 11-12-1996 26-01-2005 22-04-1997 12-07-2006 30-09-2004 11-11-1997