



US00D769737S

(12) **United States Design Patent**
Voirin

(10) **Patent No.:** **US D769,737 S**

(45) **Date of Patent:** **** Oct. 25, 2016**

(54) **WATCHCASE**

(71) Applicant: **LONGINES WATCH CO.,
FRANCILLON LTD.,** St-Imier (CH)

(72) Inventor: **Alexandre Voirin,** Morteau (FR)

(73) Assignee: **LONGINES WATCH CO.,
FRANCILLON LTD.,** St-Imier (CH)

(**) Term: **15 Years**

(21) Appl. No.: **29/536,578**

(22) Filed: **Aug. 18, 2015**

(30) **Foreign Application Priority Data**

Feb. 18, 2015 (WO) DM/085683

(51) **LOC (10) Cl.** **10-02**

(52) **U.S. Cl.**
USPC **D10/30; D10/38**

(58) **Field of Classification Search**
USPC D10/30-39, 1-29, 122-132; 368/10,
368/15-18, 21, 28, 37, 80, 223, 228, 232,
368/276, 277, 281, 282, 285, 294, 295, 308,
368/319

CPC G04B 17/00; G04B 17/02; G04B 17/005;
G04B 17/285; G04B 37/00; G04B 37/0008;
G04B 37/0058; G04B 45/00; G04B 45/038;
G04B 45/0069; G04B 45/0076; G04B 45/02;
G04B 29/00

See application file for complete search history.

(56) **References Cited**

U.S. PATENT DOCUMENTS

1,162,480 A * 11/1915 Hathaway G04B 37/0472
224/167
2,191,020 A * 2/1940 Kaufmann A44C 5/145
224/177

D157,607 S * 3/1950 Lachman D10/38
D284,949 S * 8/1986 Kong D10/128
D296,991 S * 8/1988 Lauper D10/131
D309,865 S * 8/1990 Woormer D10/122
D319,027 S * 8/1991 Burgener D10/39
D332,055 S * 12/1992 Gander D10/39
5,319,615 A * 6/1994 Ng G04B 47/046
368/276
D353,544 S * 12/1994 Reich D10/32
5,373,484 A * 12/1994 Rappo G04B 37/1486
368/281
5,398,218 A * 3/1995 Munnier G04B 37/1486
224/164
D558,612 S * 1/2008 Wei D10/38
D606,890 S * 12/2009 Bulgari D10/39
D647,808 S * 11/2011 Giroud D10/38
D746,157 S * 12/2015 Babcock D10/30
D756,239 S * 5/2016 Delhotal D10/30

* cited by examiner

Primary Examiner — Susan Bennett Hattan

Assistant Examiner — Jennifer Wright

(74) *Attorney, Agent, or Firm* — Donald J. Ranft; Collen IP

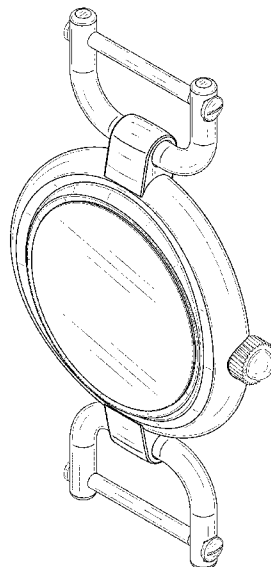
(57) **CLAIM**

The ornamental design for a watchcase, as shown.

DESCRIPTION

FIG. 1 is a front right perspective view of a watchcase showing my new design;
FIG. 2 is a front left perspective view thereof;
FIG. 3 is a rear right perspective view thereof;
FIG. 4 is a rear left perspective view thereof;
FIG. 5 is a front view thereof;
FIG. 6 is a rear view thereof;
FIG. 7 is a left side view thereof;
FIG. 8 is a right side view thereof;
FIG. 9 is a top view thereof; and,
FIG. 10 is a bottom view thereof.

1 Claim, 8 Drawing Sheets



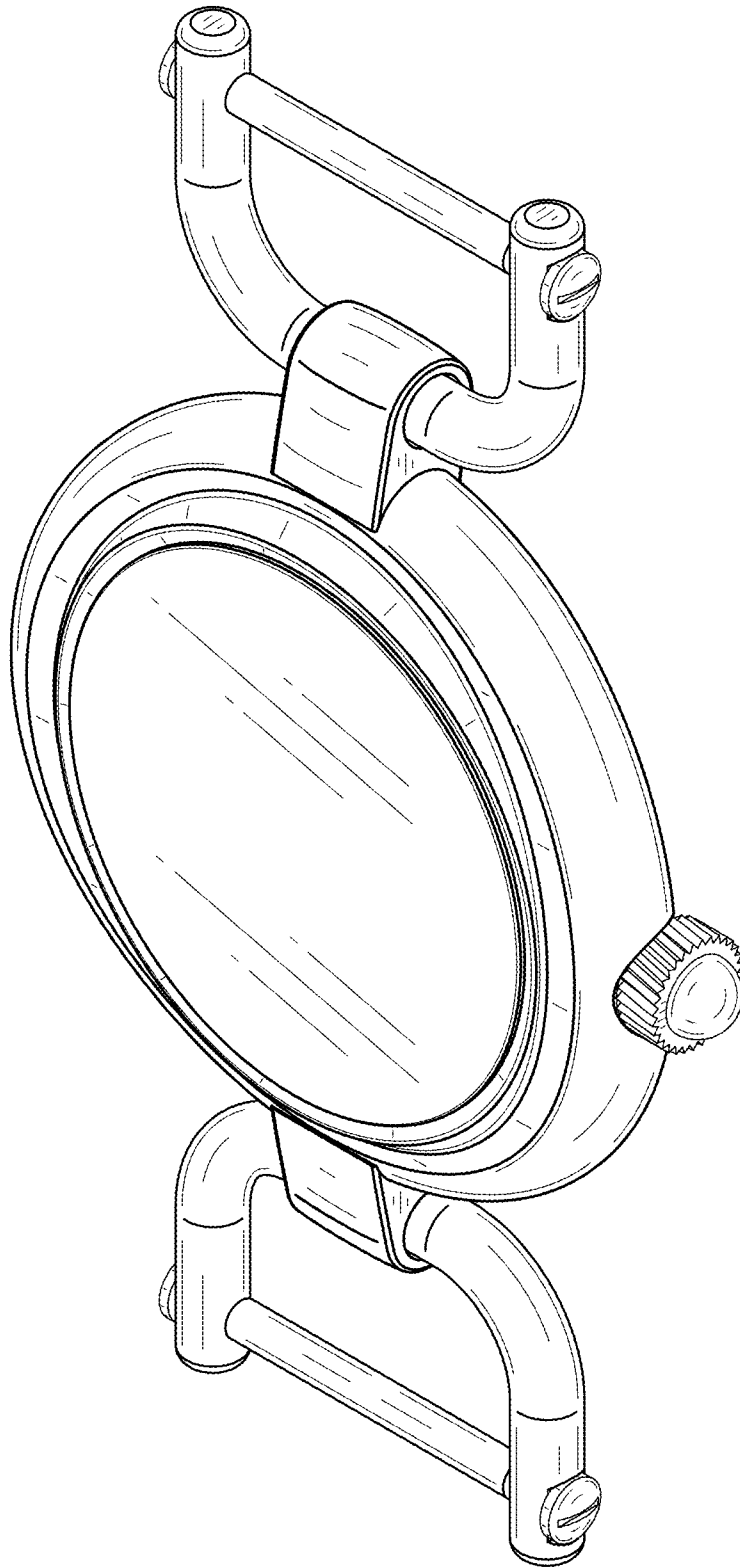


FIG. 1

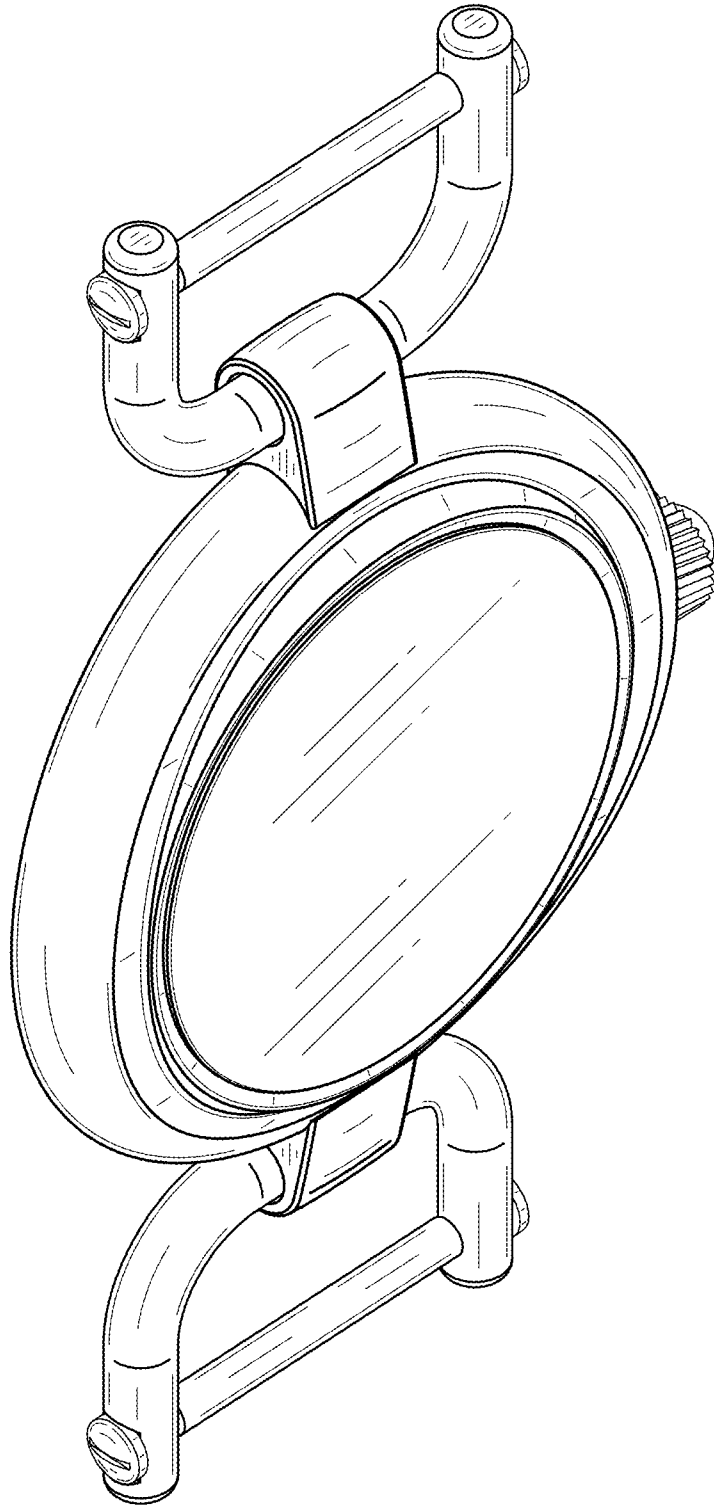


FIG. 2

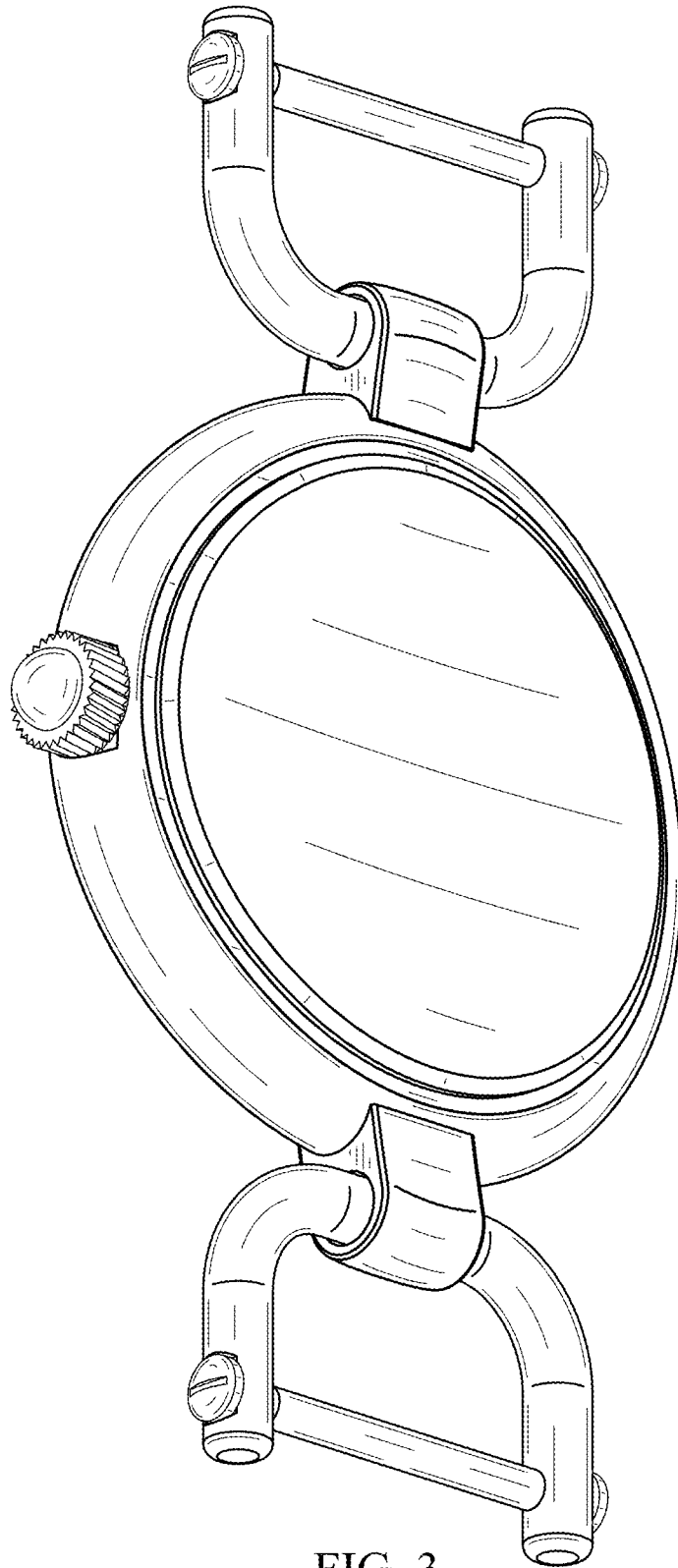


FIG. 3

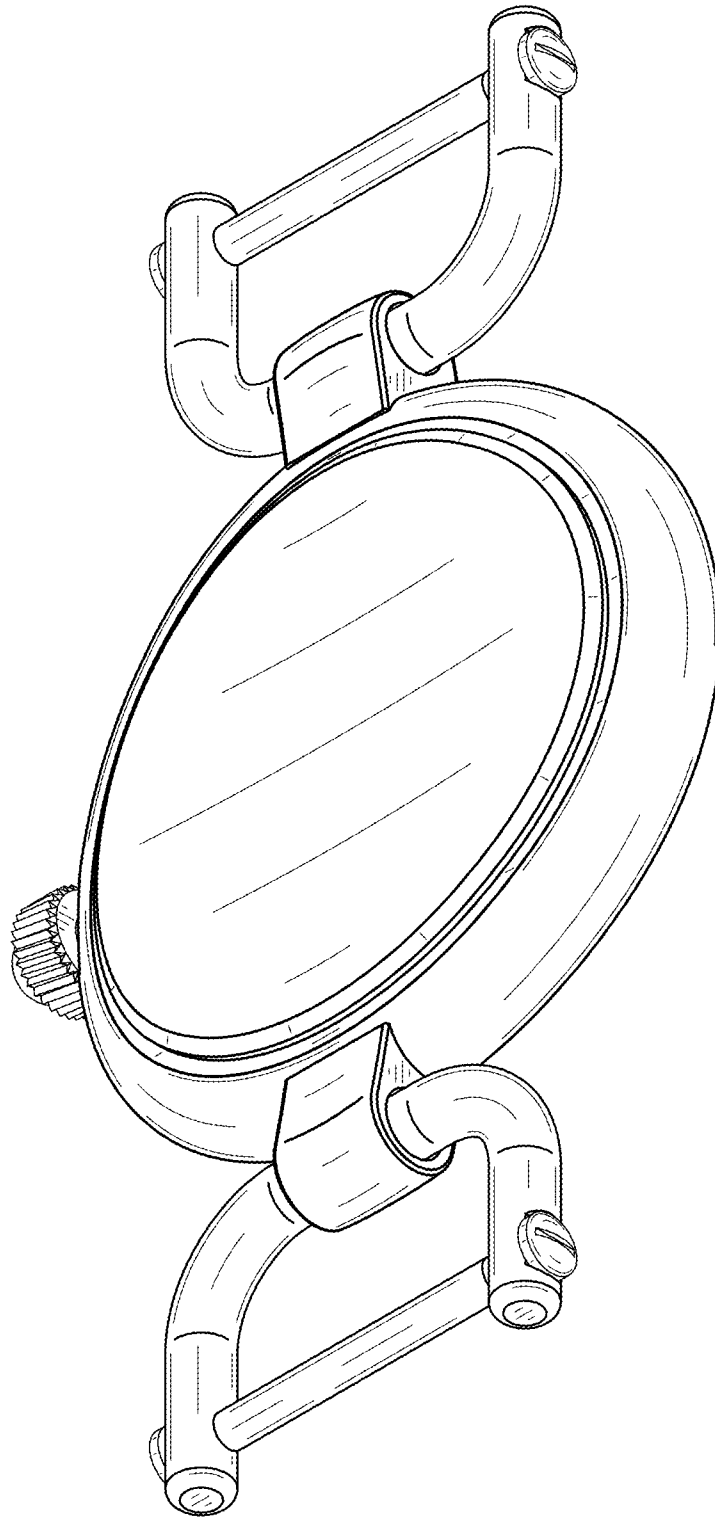


FIG. 4

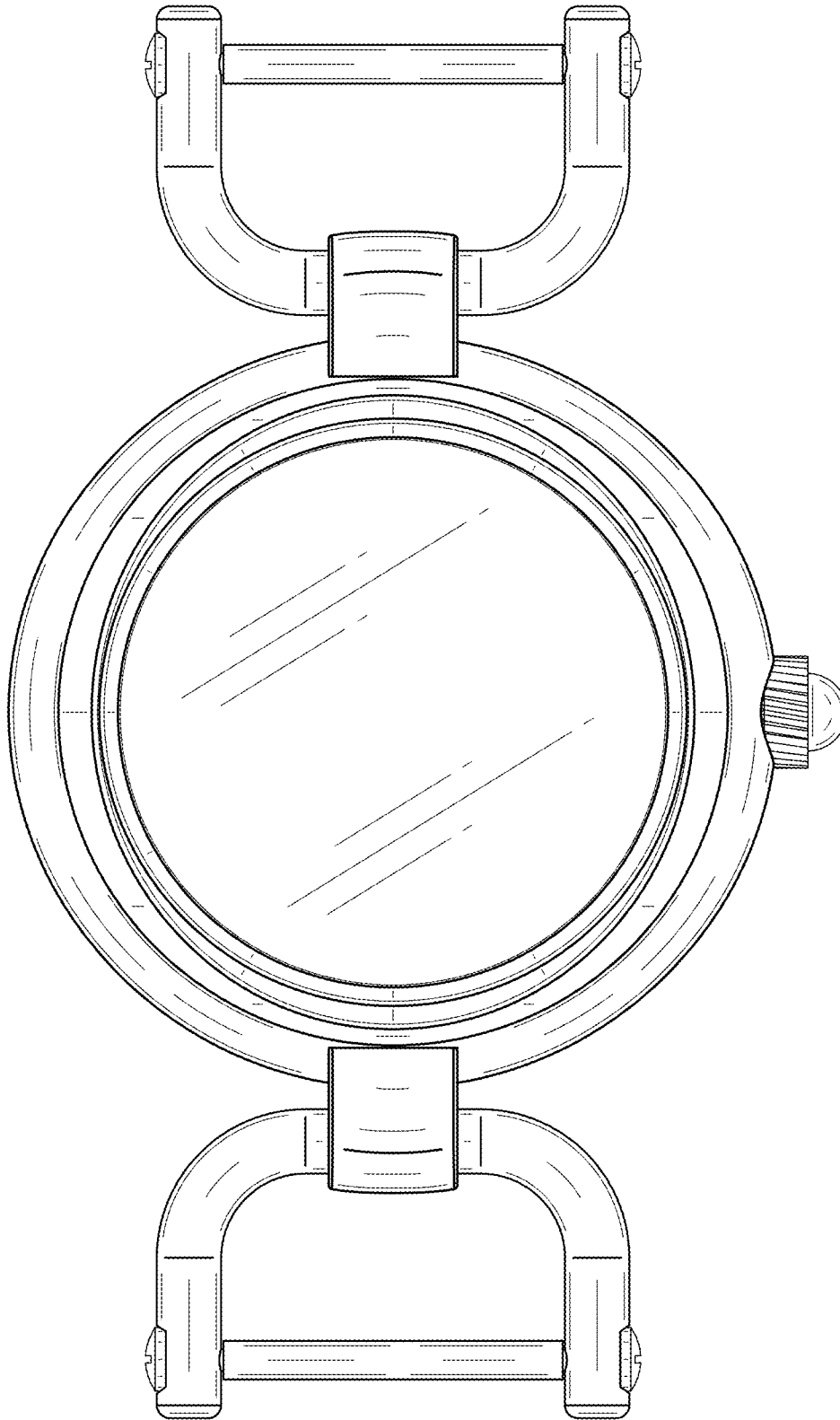


FIG. 5

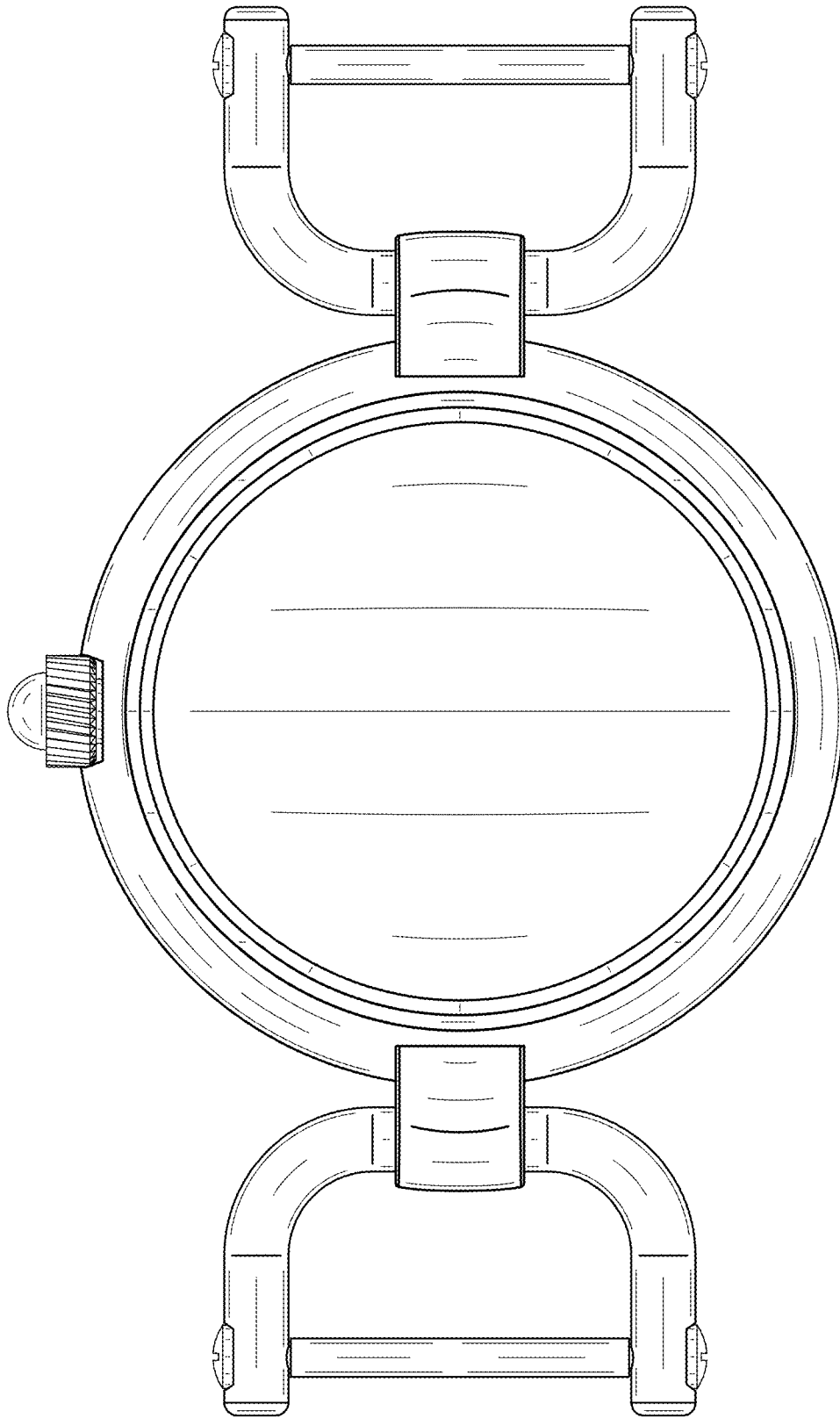


FIG. 6

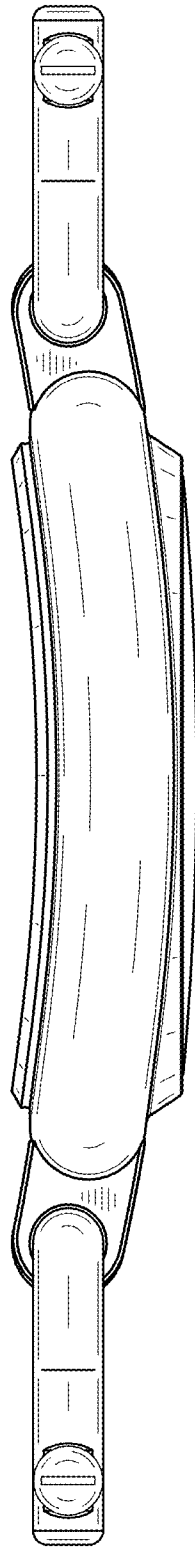


FIG. 7

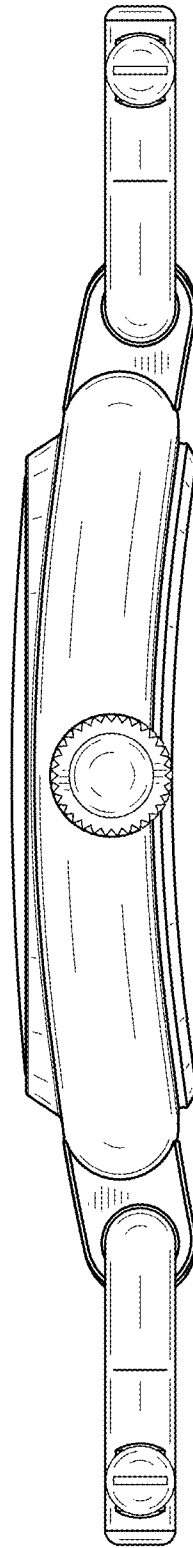


FIG. 8

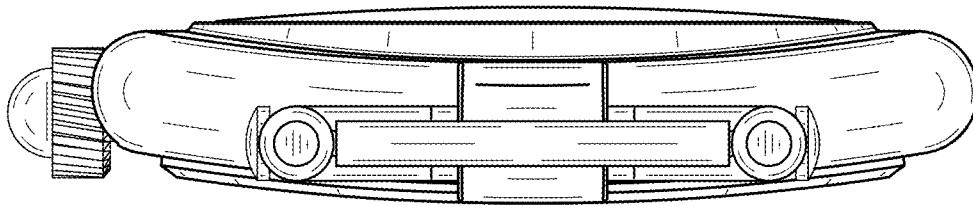


FIG. 9

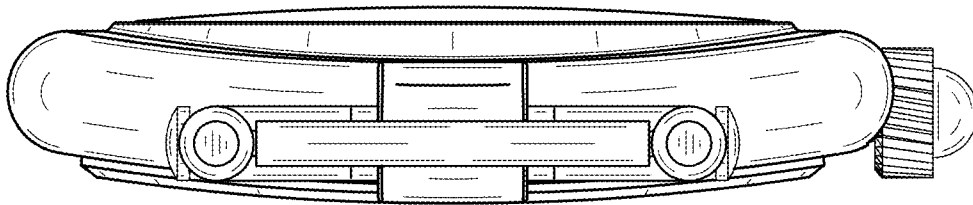


FIG. 10