



US00D327013S

United States Patent [19]

[11] Patent Number: **Des. 327,013**

Reighart

[45] Date of Patent: **** Jun. 16, 1992**

[54] **PACKAGING CONTAINER**

[75] Inventor: **Richard L. Reighart, Toledo, Ohio**

[73] Assignee: **Cooper Industries, Inc., Houston, Tex.**

[**] Term: **14 Years**

[21] Appl. No.: **576,345**

[22] Filed: **Aug. 29, 1990**

[52] U.S. Cl. **D9/415**

[58] Field of Search D9/415, 418, 337, 416, D9/425; 206/461-471, 806, 45.34, 45.31, 44 R, 335, 443, 45.33; 53/420, 449, 397

4,239,104 12/1980 Roccaforte et al. 206/45.33
 4,378,903 4/1983 Sherwood 206/806 X
 4,854,450 8/1989 Fisher 206/469
 5,027,947 7/1991 Reighart 206/468 X

Primary Examiner—Bernard Ansher
Assistant Examiner—Prabhakar Deshmukh
Attorney, Agent, or Firm—Eddie E. Scott; Alan R. Thiele

[56] **References Cited**

U.S. PATENT DOCUMENTS

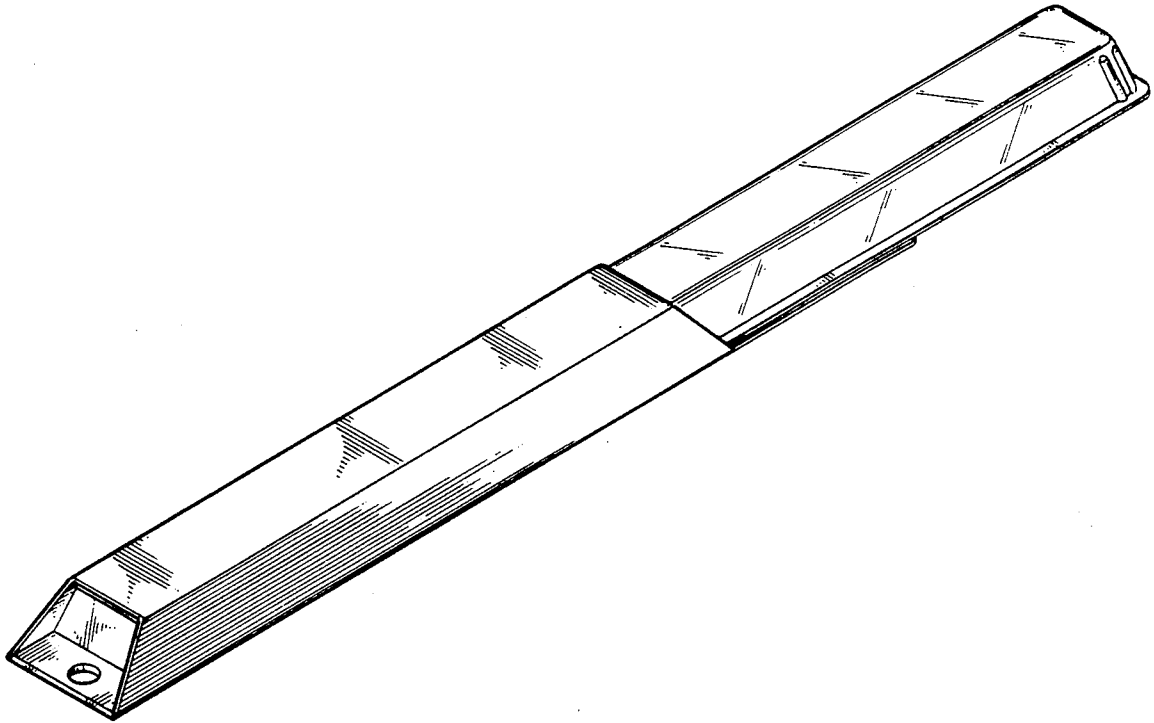
D. 92,775 7/1934 Sekine D9/418
 D. 288,907 3/1987 Crawford D9/415
 D. 289,014 3/1987 Crawford D9/415
 4,106,621 8/1978 Sorenson 206/461 X

[57] **CLAIM**

The ornamental design for a packaging container, as shown and described.

DESCRIPTION

FIG. 1 is a perspective view of a packaging container showing my new design;
 FIG. 2 is a front elevation view;
 FIG. 3 is a left side elevation thereof; the right side elevation being a mirror image thereof;
 FIG. 4 is a rear elevation thereof;
 FIG. 5 is a bottom plan view thereof; and,
 FIG. 6 is a top plan view thereof.



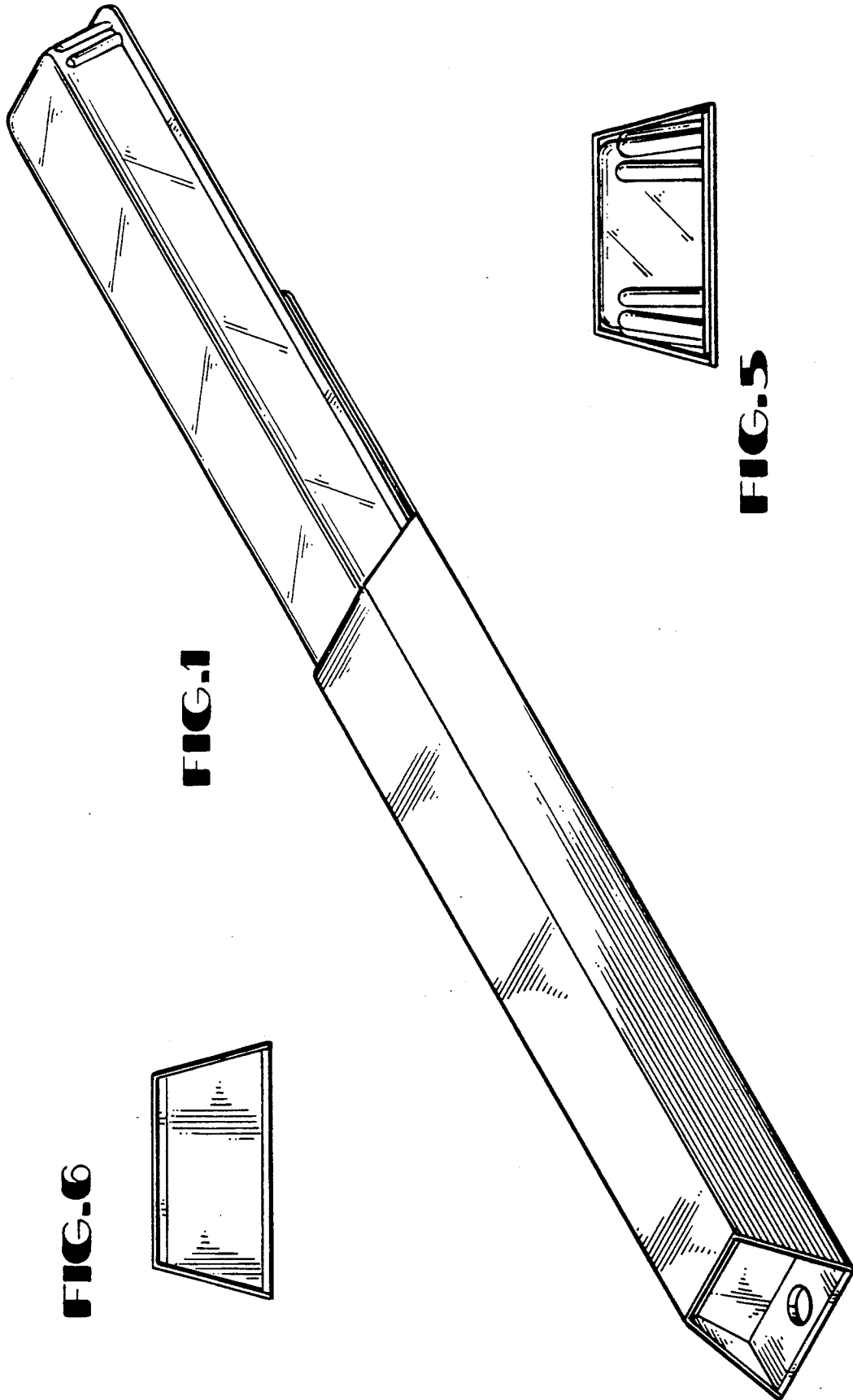


FIG. 1

FIG. 5

FIG. 6

