



US00D520242S

(12) **United States Design Patent**
Gonzalez

(10) **Patent No.:** **US D520,242 S**

(45) **Date of Patent:** **** May 9, 2006**

(54) **CLASP JEWEL PIECE**

(75) Inventor: **Alvaro Gonzalez**, Florence (IT)

(73) Assignee: **J. Choo (Jersey) Limited**, Jersey (GB)

(**) Term: **14 Years**

(21) Appl. No.: **29/221,778**

(22) Filed: **Jan. 20, 2005**

(30) **Foreign Application Priority Data**

Sep. 28, 2004 (EM) 000234901-0010

(51) **LOC (8) Cl.** **03-99**

(52) **U.S. Cl.** **D3/323**

(58) **Field of Classification Search** D3/323-324,
D3/326, 900, 232, 242, 243; 150/118, 123,
150/143, 149, 152; D32/61-64; 24/40, 303,
24/324, 385, 455, 461, 572.1, 573.11, 578.1,
24/578.11, 578.15, 578.17; D8/382-383,
D8/397-399; D11/86-87, 200, 206, 212,
D11/218, 214-216, 220, 222, 226, 230; 292/251.5,
292/299, 1, 137, 281, DIG. 37, DIG. 61
See application file for complete search history.

(56) **References Cited**

U.S. PATENT DOCUMENTS

70,907 A	11/1867	Sims	
1,764,806 A	* 6/1930	Saccoccia	292/128
D82,349 S	* 10/1930	Schell	D3/290
1,947,718 A	* 2/1934	Labadie et al.	190/115
2,316,328 A	* 4/1943	Guenther et al.	190/124
2,474,003 A	* 6/1949	Lifton	190/124
2,817,378 A	* 12/1957	Damast	190/109
2,822,013 A	* 2/1958	Renz	190/126
D206,702 S	1/1967	Conner	
4,262,718 A	* 4/1981	Stark	150/118
D265,694 S	8/1982	Sogoian et al.	
D274,101 S	* 6/1984	Silk	D3/233
D295,919 S	* 5/1988	Makio	D8/338
4,913,283 A	* 4/1990	Stuhn	206/224
D312,351 S	* 11/1990	Bishop	D3/251
D314,668 S	* 2/1991	Cousins	D3/292

D320,309 S	* 10/1991	Pardo	D3/292
D327,365 S	* 6/1992	Pardo	D3/290
D328,389 S	8/1992	Pardo	
D451,672 S	* 12/2001	Rasmussen	D3/276
6,438,808 B1	* 8/2002	Kung	24/572.1
D471,485 S	* 3/2003	Schlatter	D11/200
D471,716 S	* 3/2003	Wolf	D3/318
D472,386 S	* 4/2003	Bauer	D3/290
D492,482 S	* 7/2004	Hanley	D3/243

OTHER PUBLICATIONS

J. Choo (Jersey) Limited, Tahula Range, Undated photograph.
U.S. Appl. No. 29/221,717, filed Jan. 18, 2005, to Alvaro Gonzalez.

* cited by examiner

Primary Examiner—Sandra S. Snapp
(74) *Attorney, Agent, or Firm*—Fross Zelnick Lehrman & Zissu, P.C.; Lawrence E. Apolzon, Esq.

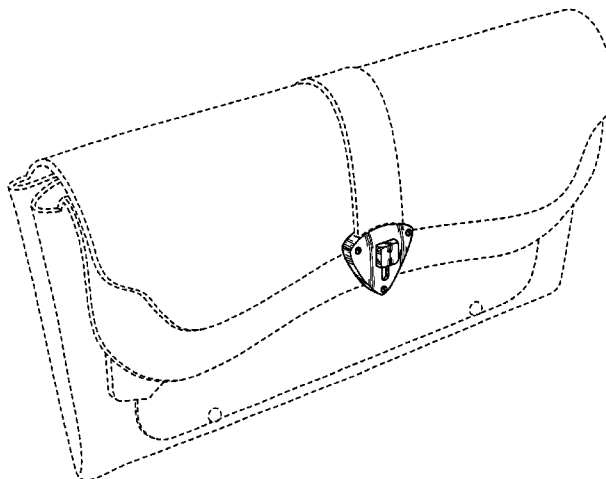
(57) **CLAIM**

The ornamental design for a clasp jewel piece, as shown and described.

DESCRIPTION

FIG. 1 is a front perspective view of a clasp jewel piece showing my new design;
FIG. 2 is a front view of the clasp jewel piece shown in FIG. 1;
FIG. 3 is a left side view of the clasp jewel piece shown in FIG. 1;
FIG. 4 is a right side view of the clasp jewel piece shown in FIG. 1;
FIG. 5 is a top view of the clasp jewel piece shown in FIG. 1; and,
FIG. 6 is a bottom view of the clasp jewel piece shown in FIG. 1.
The broken line showing of the overall wallet structure, pockets, and straps is for illustrative purposes only to show the environment in which the design is associated and forms no part of the claimed design.

1 Claim, 4 Drawing Sheets



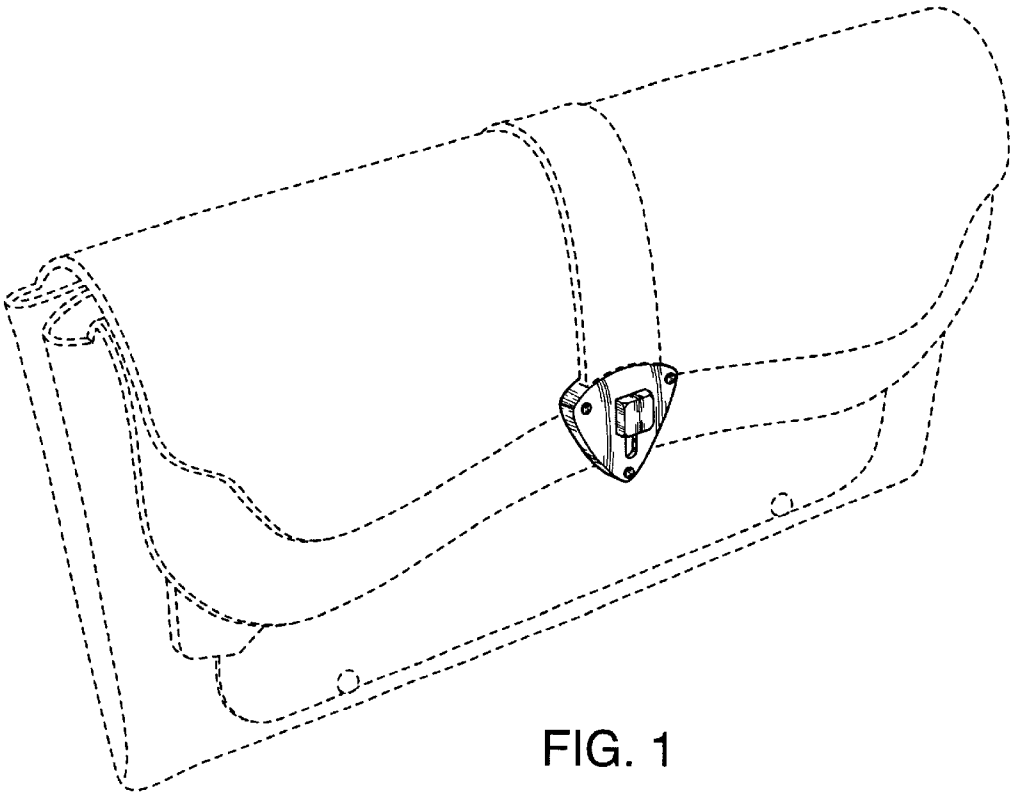


FIG. 1

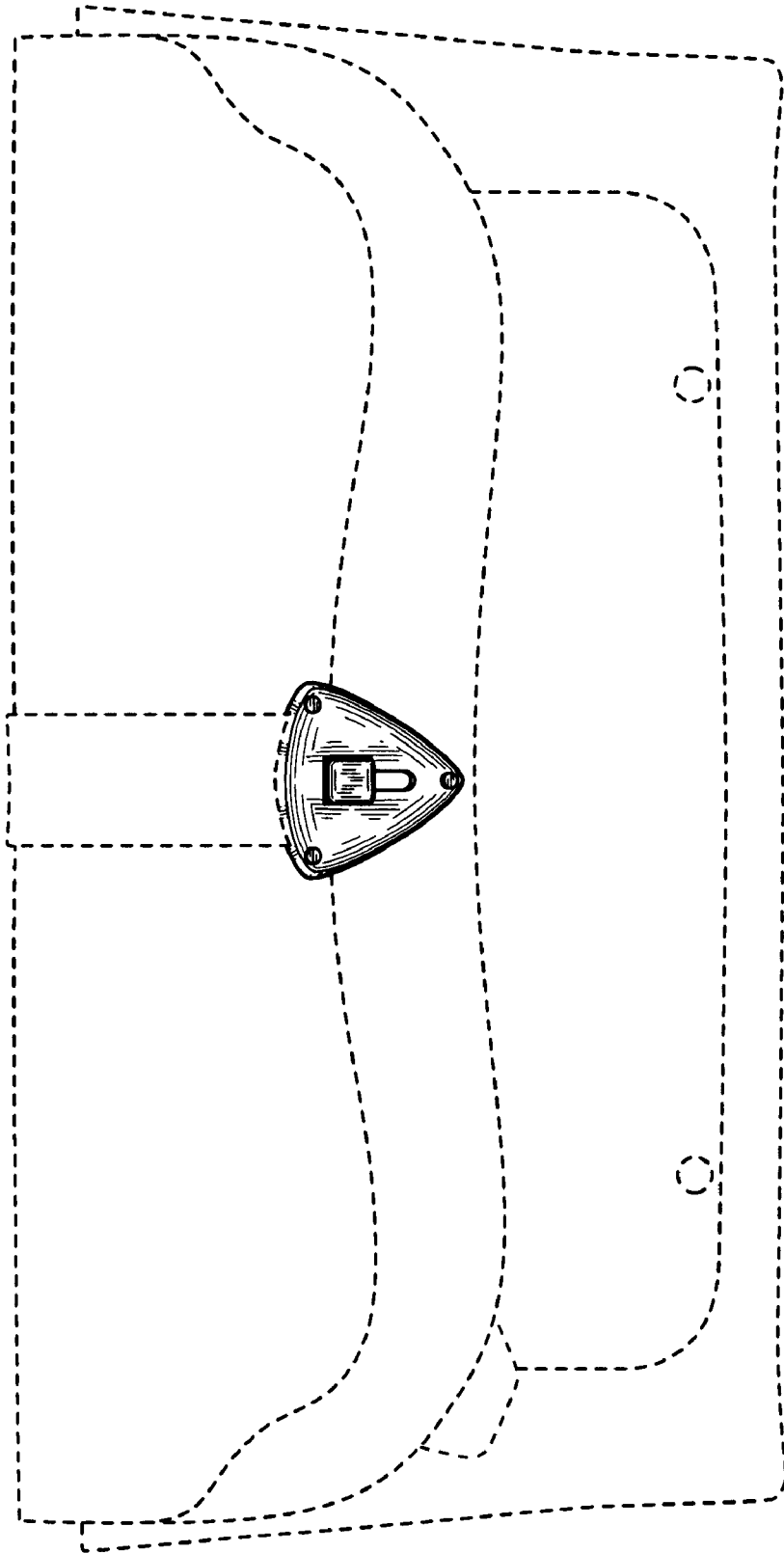


FIG. 2

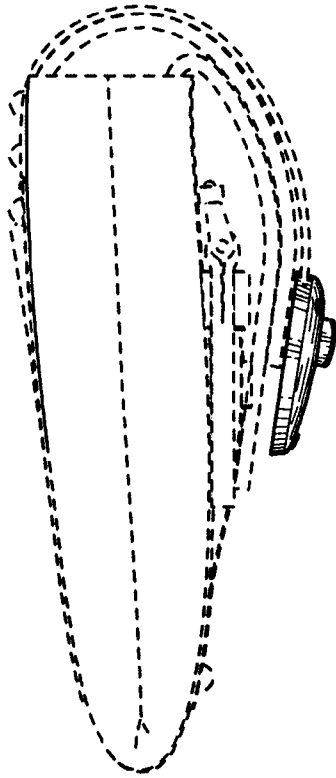


FIG. 3

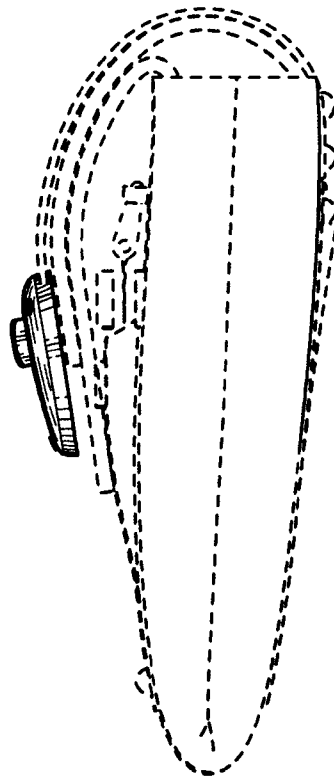


FIG. 4

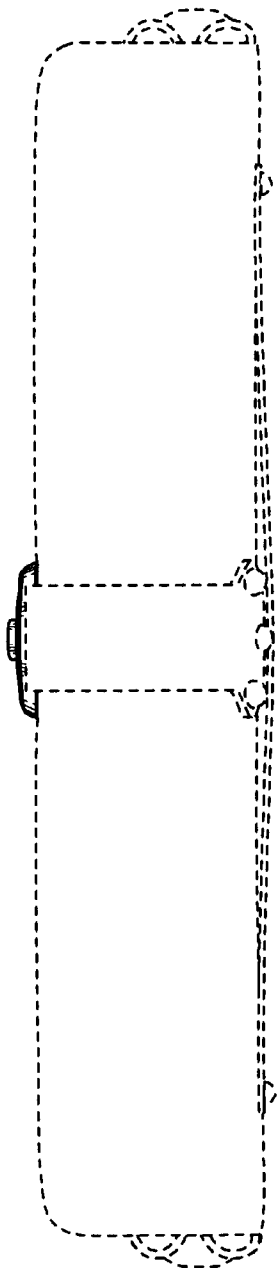


FIG. 5

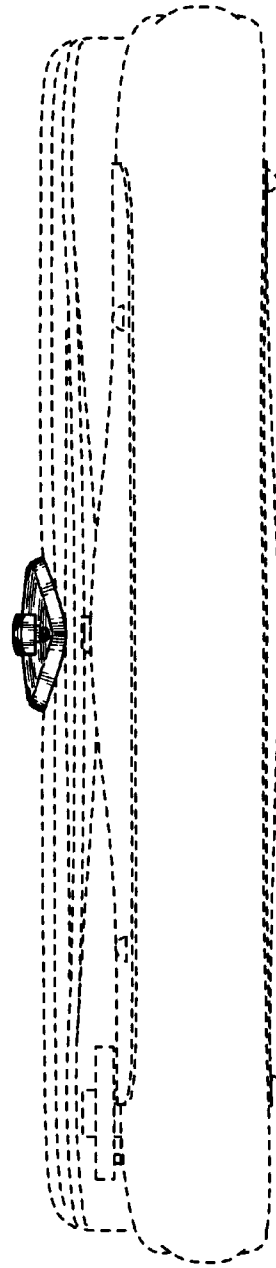


FIG. 6