



US00D612463S

(12) **United States Design Patent**
Shah et al.

(10) **Patent No.:** **US D612,463 S**

(45) **Date of Patent:** **** *Mar. 23, 2010**

(54) **RIBBED PIPE COUPLING SEGMENT**

(75) Inventors: **Amit R. Shah**, Quakertown, PA (US);
Douglas R. Dole, Whitehouse Station,
NJ (US); **John W. Pierce**, Nazareth, PA
(US); **Scott D. Madara**, Nazareth, PA
(US)

(73) Assignee: **Victaulic Company**, Easton, PA (US)

(*) Notice: This patent is subject to a terminal disclaimer.

(**) Term: **14 Years**

(21) Appl. No.: **29/339,920**

(22) Filed: **Jul. 10, 2009**

Related U.S. Application Data

(62) Division of application No. 29/329,365, filed on Dec. 13, 2008.

(51) **LOC (9) Cl.** **23-01**

(52) **U.S. Cl.** **D23/262**

(58) **Field of Classification Search** D23/259-269;
285/11-12, 7, 177, 394-395, 307, 358, 179-183,
285/423, 356, 303, 337

See application file for complete search history.

(56) **References Cited**

U.S. PATENT DOCUMENTS

872,659 A * 12/1907 Lord 277/623
2,861,822 A * 11/1958 Risley et al. 285/348
D208,388 S * 8/1967 Graham D23/265
3,352,579 A * 11/1967 Hoke 277/621

4,183,560 A * 1/1980 Wyss 285/232
D453,816 S * 2/2002 Sato et al. D23/262
6,494,502 B1 * 12/2002 Plante 285/373
D513,793 S * 1/2006 Copeland et al. D23/262
D515,673 S * 2/2006 Copeland et al. D23/262
D593,642 S * 6/2009 Copeland et al. D23/266
D602,127 S 10/2009 Shah et al.
2003/0071460 A1 * 4/2003 Snyder et al. 285/340
2005/0146133 A1 * 7/2005 Snyder et al. 285/105

* cited by examiner

Primary Examiner—T. Chase Nelson

Assistant Examiner—Eric L Goodman

(74) *Attorney, Agent, or Firm*—Ballard Spahr LLP

(57) **CLAIM**

We claim the ornamental design for a ribbed pipe coupling segment, as shown and described.

DESCRIPTION

FIG. 1 is an isometric view of our design for a ribbed pipe coupling segment;

FIG. 2 is a front view of the design for a ribbed pipe coupling segment shown in FIG. 1, the rear view being identical;

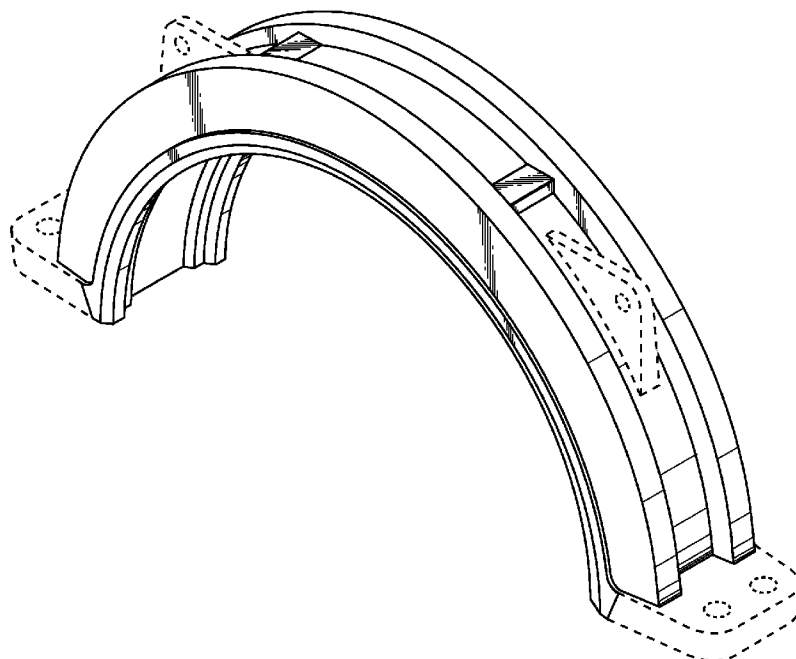
FIG. 3 is a top view of the design for a ribbed pipe coupling segment shown in FIG. 1;

FIG. 4 is a bottom view of the design for a ribbed pipe coupling segment shown in FIG. 1; and,

FIG. 5 is a left side view of the design for a ribbed pipe coupling segment shown in FIG. 1, the right side view being identical.

The broken lines in FIGS. 1-5 are for illustrative purposes only and form no part of the claimed design.

1 Claim, 2 Drawing Sheets



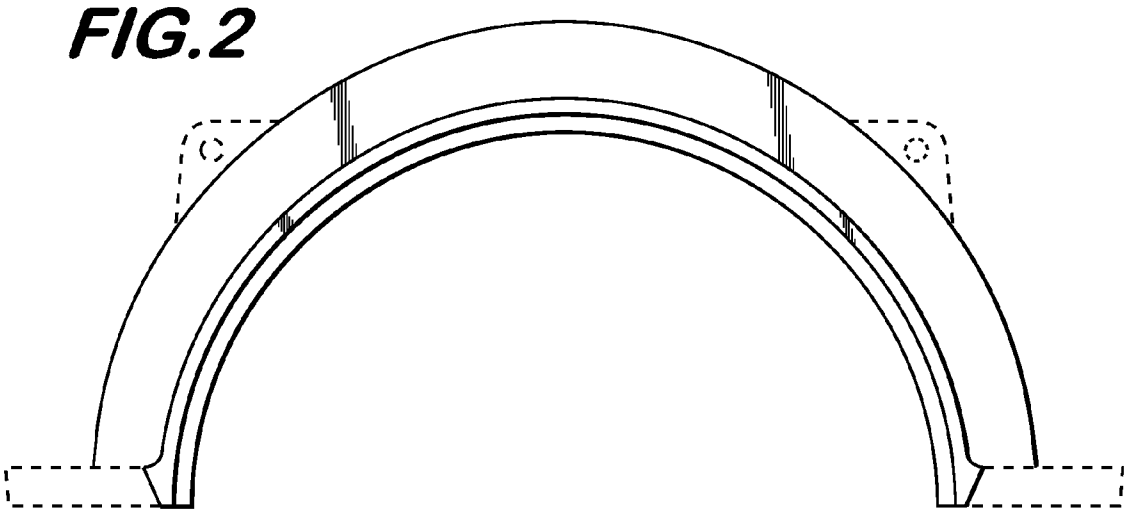
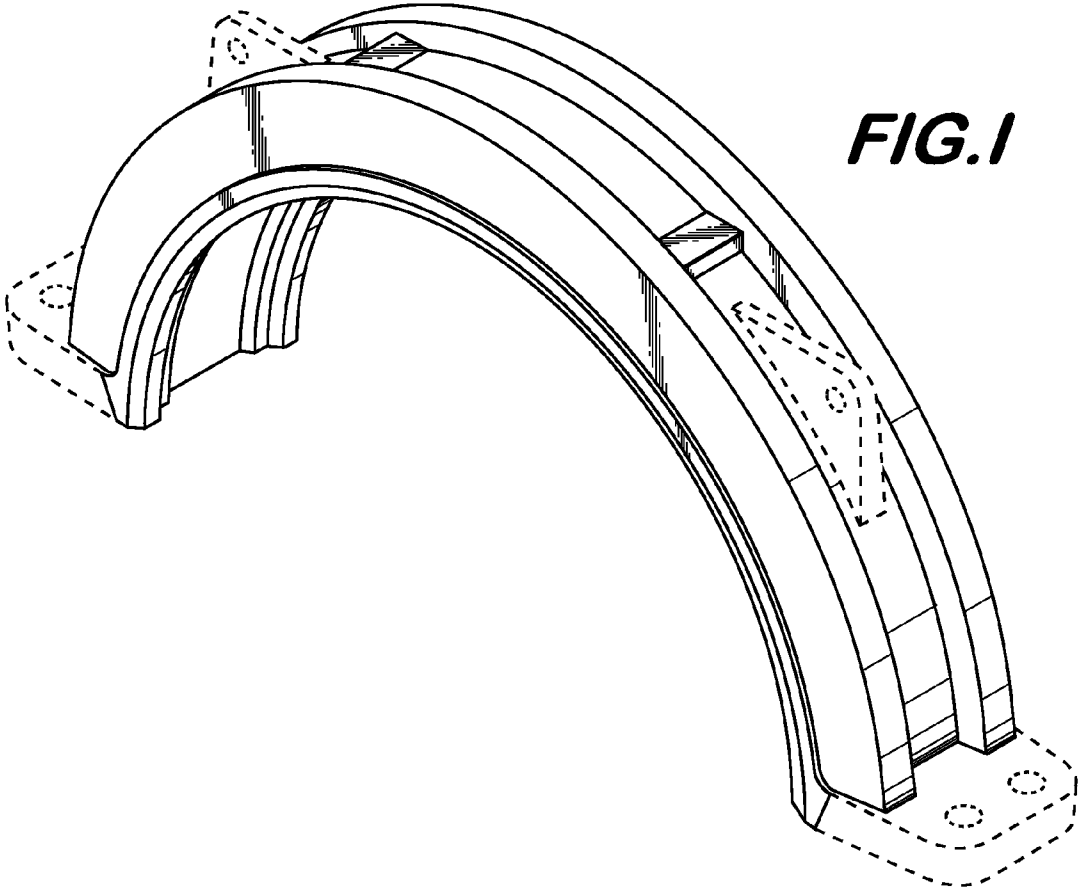


FIG.3

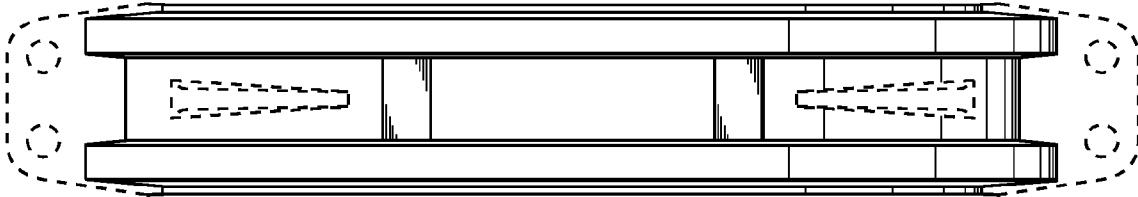


FIG.4

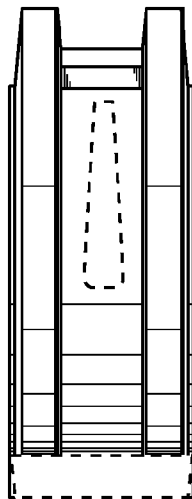
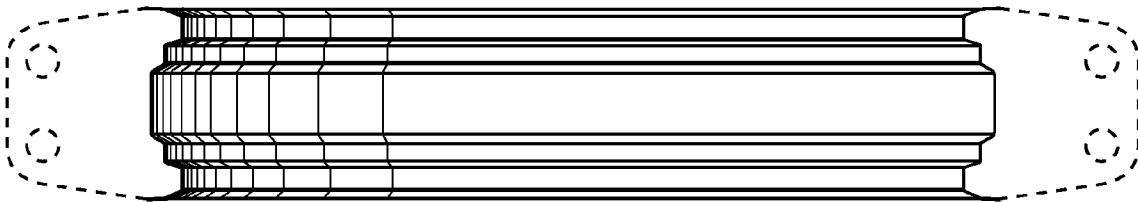


FIG.5