



US00D732156S

(12) **United States Design Patent**  
**Penlesky et al.**

(10) **Patent No.:** **US D732,156 S**  
(45) **Date of Patent:** **\*\* Jun. 16, 2015**

- (54) **EXHAUST FAN MUFFLER**
- (71) Applicant: **Broan-NuTone LLC**, Hartford, WI (US)
- (72) Inventors: **Robert G. Penlesky**, Waukesha, WI (US); **Daniel L. Karst**, Beaver Dam, WI (US); **Mirko Zakula**, New Berlin, WI (US)
- (73) Assignee: **Broan-NuTone LLC**, Hartford, WI (US)
- (\*\*) Term: **14 Years**
- (21) Appl. No.: **29/481,852**

- (22) Filed: **Feb. 11, 2014**
- (51) **LOC (10) Cl.** ..... **23-04**
- (52) **U.S. Cl.**  
USPC ..... **D23/411**
- (58) **Field of Classification Search**  
USPC ..... D23/259, 262, 263, 266, 269, 327-329, D23/341, 354, 369-371, 381, 382, 385-394, D23/411, 499; 110/162; 285/123.16, 123.1, 285/133.3, 133.6, 148.22, 148.23, 148.24, 285/234, 332, 332.1; 454/243, 292  
See application file for complete search history.

- (56) **References Cited**  
U.S. PATENT DOCUMENTS  
D257,060 S \* 9/1980 Mann ..... D23/393  
D261,803 S \* 11/1981 Bohanon, Jr. .... D23/393

- D372,775 S \* 8/1996 Schuler ..... D23/412
  - D513,072 S \* 12/2005 Berg ..... D23/386
  - D541,405 S \* 4/2007 Snyder ..... D23/393
  - D631,188 S \* 1/2011 Lovegrove ..... D26/138
  - D685,947 S \* 7/2013 Pyle ..... D26/118
  - D717,933 S \* 11/2014 McClelland et al. .... D23/365
  - D718,762 S \* 12/2014 Aarrestad et al. .... D14/255
  - 2005/0095979 A1\* 5/2005 Moreno ..... 454/300
- \* cited by examiner

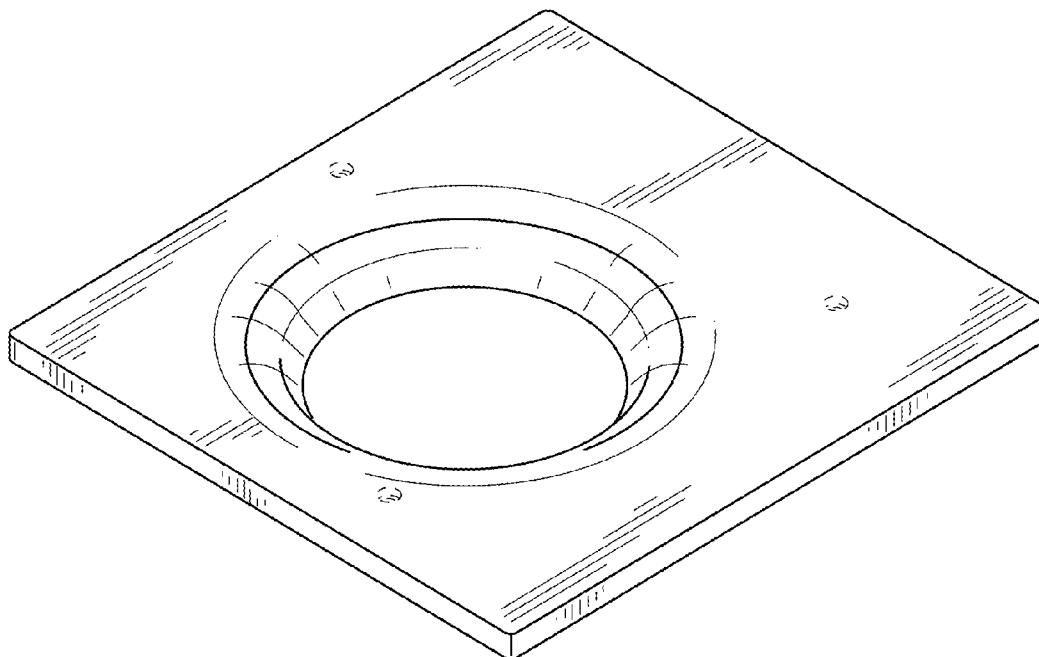
*Primary Examiner* — Susan Bennett Hattan  
*Assistant Examiner* — Leanne Was  
 (74) *Attorney, Agent, or Firm* — Schwegman Lundberg & Woessner, P.A.

(57) **CLAIM**  
 We claim the ornamental design for an exhaust fan muffler, as shown and described.

**DESCRIPTION**

FIG. 1 is a top perspective view of an exhaust fan muffler; FIG. 2 is a top view of an exhaust fan muffler of FIG. 1; FIG. 3 is a side view of an exhaust fan muffler FIG. 1; FIG. 4 is a side view of an exhaust fan muffler FIG. 1; FIG. 5 is a side view of an exhaust fan muffler FIG. 1; FIG. 6 is a side view of an exhaust fan muffler FIG. 1; and, FIG. 7 is a rear view of an exhaust fan muffler FIG. 1. The features shown in broken lines depict environmental subject matter only and form no part of the claimed design.

**1 Claim, 4 Drawing Sheets**



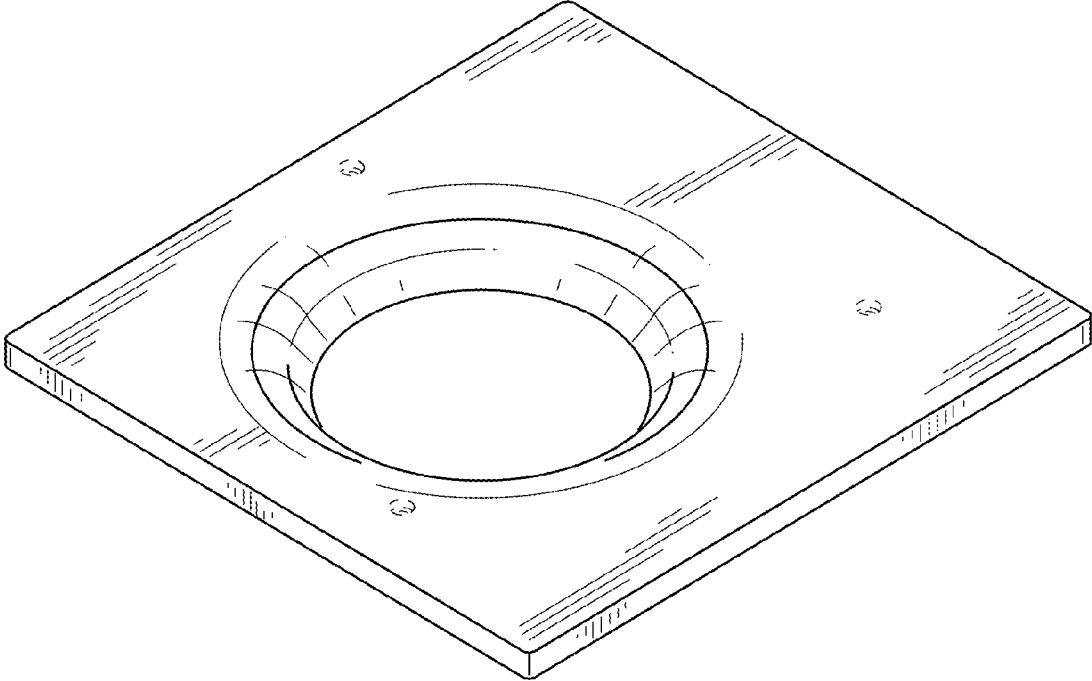


FIG. 1

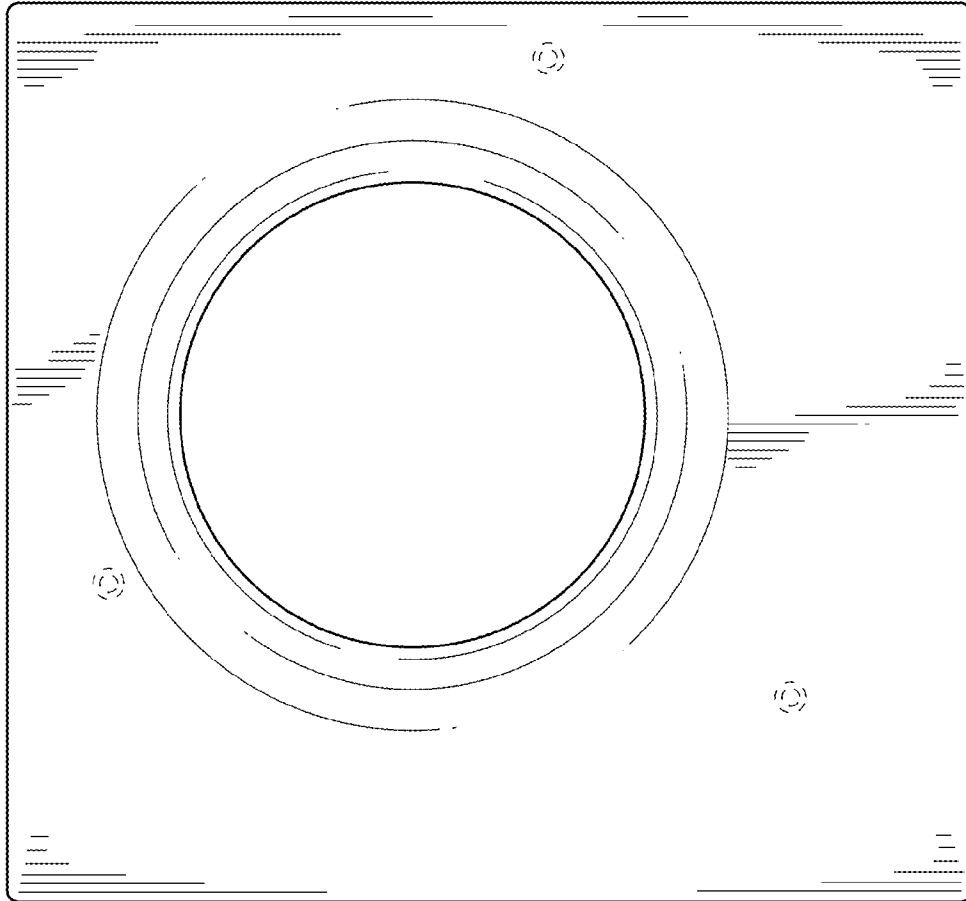


FIG. 2

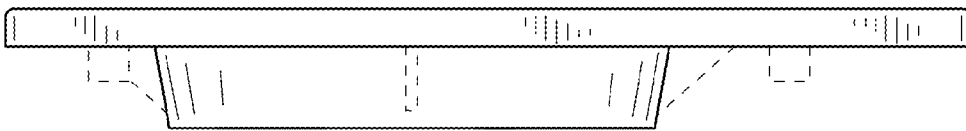


FIG. 3

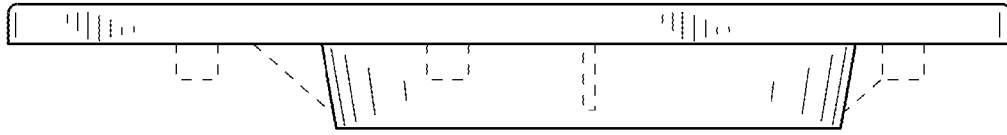


FIG. 4

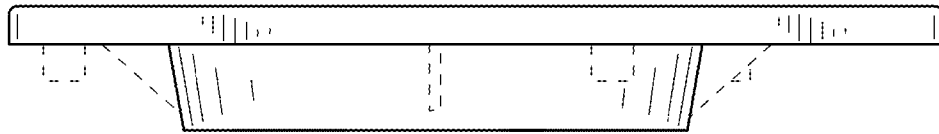


FIG. 5

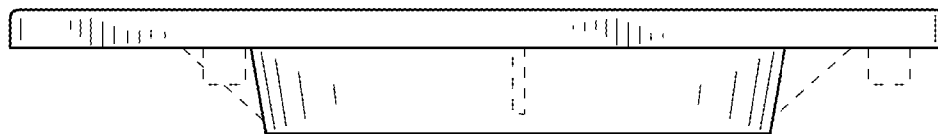


FIG. 6

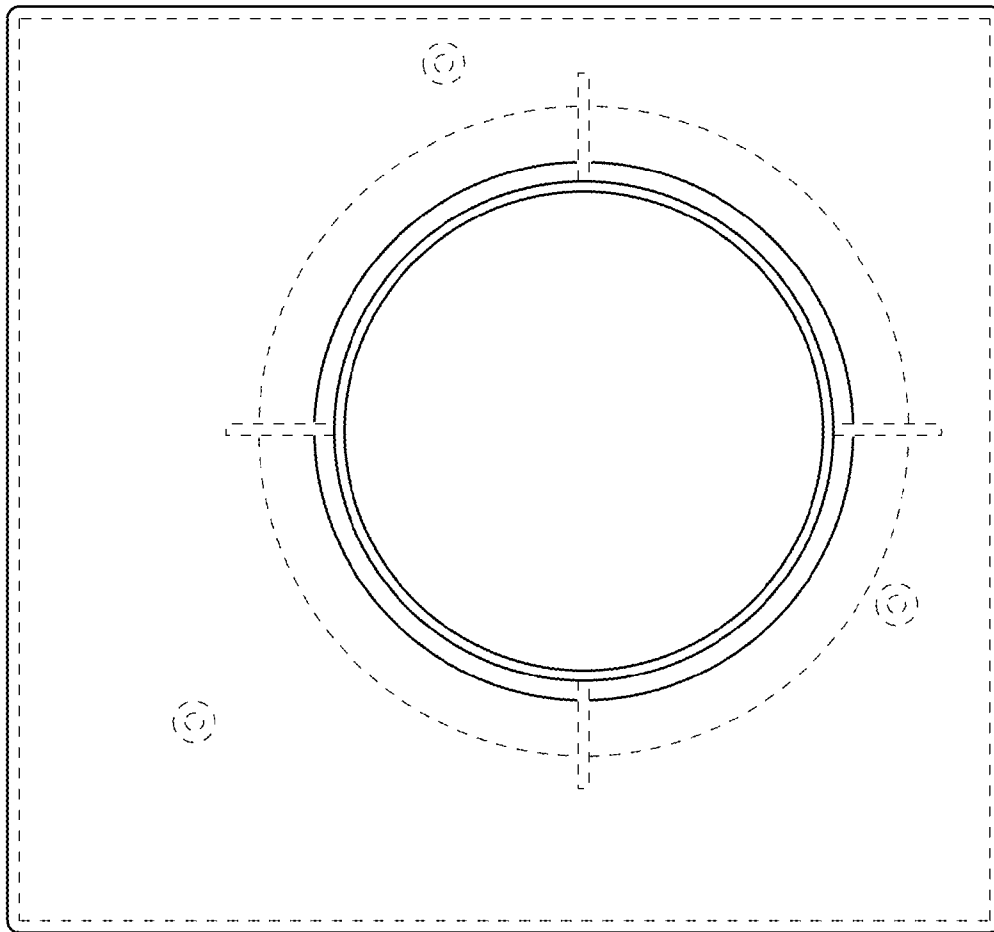


FIG. 7